



**GULLY GRATING AND FRAME**

**Class C250  
EN124 : 1994**

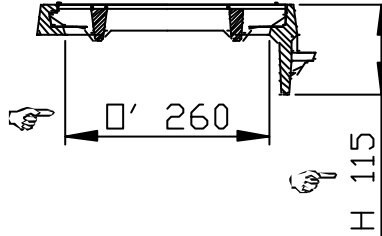
**AV2 DFG 71X26 C250**

**EN GJS 500-7 Iron  
ISO 1083 / EN1563**

**FLAT GRATING**

**DESIGN FEATURES :**

- *Material(s)* :  
☞ SG Iron to ISO 1083 / EN1563, Grade 500-7.
- *Design load* :  
☞ 250 kN to EN124. Group 3 installation area - for gully tops located in kerbside channels of roads which when measured from the kerb edge, extend a maximum of 0,5 m into the carriageway and a maximum of 0,2 m into the footway.
- *Coating* :  
Non toxic waterbased black paint.
- *Product Certification* :  
NF Mark  
This quality mark certifies conformity to the 'NF' regulation 110 and other additional features as highlighted (☞) by the authorising body AFNOR CERTIFICATION, 11, rue Francis de Pressensé F-93571 LA PLAINE SAINT DENIS CEDEX

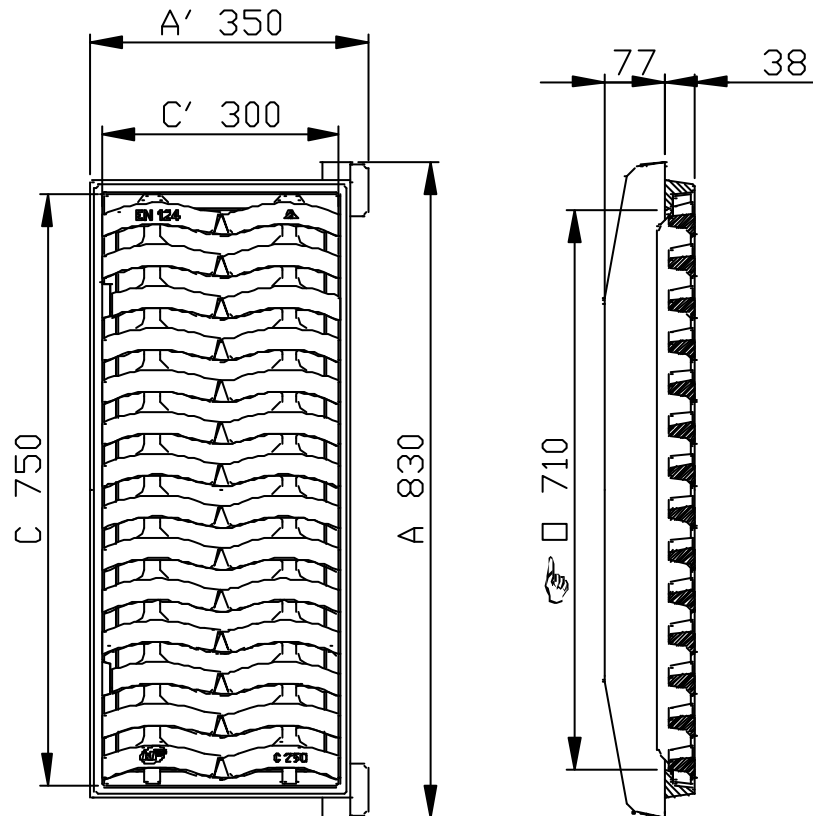


**SPECIAL FEATURES :**

- *Surface finish* :  
Smooth flat finish without raised pattern.  
☞ Waterway  $\geq 30\%$  : 990 cm<sup>2</sup>.
- *Frame type* :  
Rectangular monoblock as cast.
- *Frame bearing pressure* :  
☞  $p \leq 7.5$  N/mm<sup>2</sup>.
- *Mass* :  
Grating : 22 kg.  
Product total : 38 kg.
- *Securing of cover/grating within frame* :  
☞ with sufficient mass per unit area.
- *Remark(s)* :  
To place in front of PR3/PR2 covers or A812/A80T kerb top.

**HANDLING :**

By means of a hook or pick.



- (☞) Certified characteristics.
- Weights (kg), dimensions (mm) and drawings provided for your guidance.
- We reserve the right to modify specifications without prior notice.
- Uncontrolled distribution.

**CONFIDENTIAL**  
Property of EJ EMEA  
Not to be used without permission.

**EJ**  
ZI De Marivaux | Saint-Crépin Ibouvillers |  
BP50409 | 60544 Méru Cedex | France  
  
Système Qualité ISO 9001 - ISO 14001 - OHSAS 18001  
  
ejco.com

**Data sheet :**  
FT\_500054  
**Date updated :**  
05.11.2012  
**Printed :** 07.11.2012