



ACCESS COVERS & FRAMES

**Class B125
EN124 : 1994**

HC4 B125 NF

**EN GJS 500-7 Iron
ISO 1083 / EN1563**

SQUARE SINGLE SEAL / HC RANGE

DESIGN FEATURES :

- *Material(s) :*
 ⌀ SG Iron to ISO 1083 / EN1563, Grade 500-7.
- *Design load :*
 ⌀ 125 kN to EN 124.
 Installation area :
 Group 2 - Footways, pedestrians areas and comparable areas, car parks or car parking decks, and lower groups.
- *Coating :*
 Non toxic waterbased black paint.
- *Product Certification :*
 NF Mark
 This quality mark certifies conformity to the 'NF' regulation 110 and other additional features as highlighted (⌀) by the authorising body AFNOR CERTIFICATION, 11, rue Francis de Pressensé F-93571 LA PLAINE SAINT DENIS CEDEX



SPECIAL FEATURES :

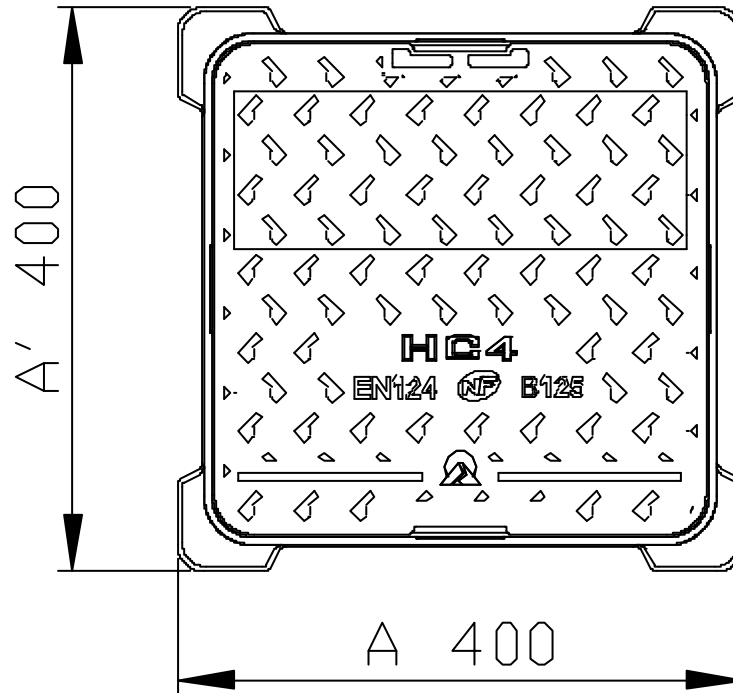
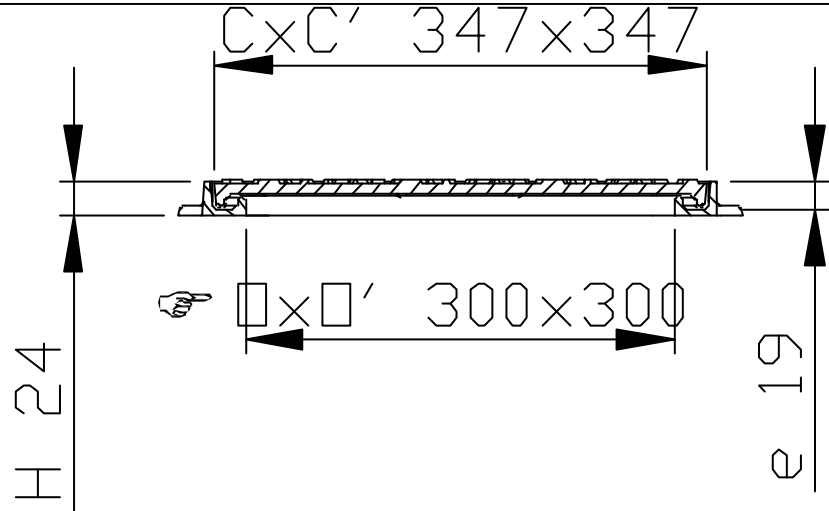
- *Mass :*
 Cover : 6.7 Kg
 Product total : 10,4 kg.
- *Surface finish :*
 Cover: Anti-slip surface with 4L patented design.
- *Frame type :*
 ⌀ single seal ≥ 6mm. Odour resistant.
 square monoblock frame as cast.
- *Frame bearing pressure :*
 ⌀ $p \leq 7.5 \text{ N/mm}^2$.

HANDLING :

The cover is provided with 2 symmetrically opposing holes to allow removal by means of a hook, pick or screwdriver.
 The unit can be closed by sliding the cover on the frame.

OPTION(S) :

- *Badging :* Please enquire.
 Badging space depending on size of cover.



- (⌀) Certified characteristics.
- Weights (kg), dimensions (mm) and drawings provided for your guidance.
- We reserve the right to modify specifications without prior notice.
- Uncontrolled distribution.

CONFIDENTIAL
 Property of EJ EMEA
 Not to be used without permission.

EJ
 ZI De Marivaux | Saint-Crépin Ibouvillers |
 BP50409 | 60544 Méru Cedex | France
 Quality System ISO 9001 - ISO 14001 - OHSAS 18001
 ejco.com

Data sheet :
FT_540538
Date updated :
04.10.2013
Printed : 16.10.2013