



**ACCESS COVERS & FRAMES**

**Class B125  
EN124 : 1994**

**HC6 B125 NF**

**EN GJS 500-7 Iron  
ISO 1083 / EN1563**

**SQUARE SINGLE SEAL / HC RANGE**

**DESIGN FEATURES :**

- **Material(s) :**  
☞ SG Iron to ISO 1083 / EN1563, Grade 500-7.
- **Design load :**  
☞ 125 kN to EN 124.  
Installation area :  
Group 2 - Footways, pedestrians areas and comparable areas, car parks or car parking decks, and lower groups.
- **Coating :**  
Non toxic waterbased black paint.
- **Product Certification :**  
NF Mark  
This quality mark certifies conformity to the 'NF' regulation 110 and other additional features as highlighted (☞) by the authorising body AFNOR CERTIFICATION, 11, rue Francis de Pressensé F-93571 LA PLAINE SAINT DENIS CEDEX



**SPECIAL FEATURES :**

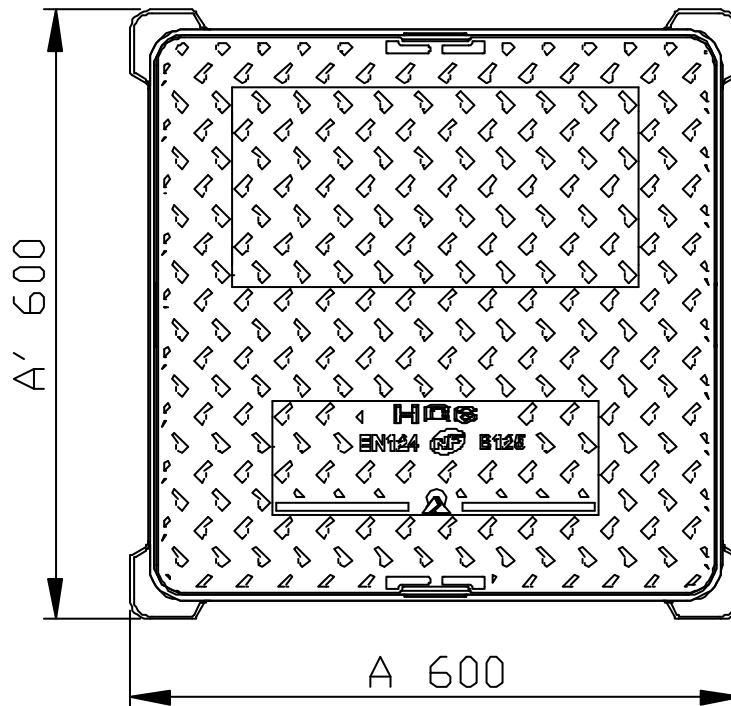
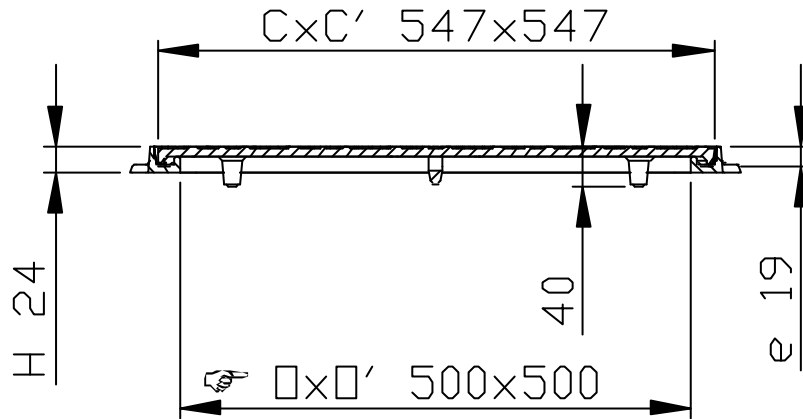
- **Mass :**  
Cover : 20.7 Kg  
Product total : 26,2 kg.
- **Surface finish :**  
Cover: Anti-slip surface with 4L patented design.
- **Frame type :**  
☞ single seal ≥ 6mm. Odour resistant.  
square monoblock frame as cast.
- **Frame bearing pressure :**  
☞  $p \leq 7.5 \text{ N/mm}^2$ .

**HANDLING :**

The cover is provided with 2 symmetrically opposing holes to allow removal by means of a hook, pick or screwdriver.  
The unit can be closed by sliding the cover on the frame.

**OPTION(S) :**

- **Badging :** Please enquire.  
Badging space depending on size of cover.



- (☞) Certified characteristics.
- Weights (kg), dimensions (mm) and drawings provided for your guidance.
- We reserve the right to modify specifications without prior notice.
- Uncontrolled distribution.

**CONFIDENTIAL**  
Property of EJ EMEA  
Not to be used without permission.

**EJ**  
ZI De Marivaux | Saint-Crépin Ibouvillers |  
BP50409 | 60544 Méru Cedex | France

Quality System ISO 9001 - ISO 14001 - OHSAS 18001

ejco.com

**Data sheet :**  
FT\_540552  
**Date updated :**  
04.10.2013  
**Printed :** 16.10.2013