



ACCESS COVERS & FRAMES

Class B125
EN124 : 1994
EN GJS 500-7 Iron
ISO 1083 / EN1563

REVO 400 B NF

SQUARE SINGLE SEAL / HC RANGE



DESIGN FEATURES :

- **Material(s) :**
 - ☞ SG Iron to ISO 1083 / EN1563, Grade 500-7.
- **Design load :**
 - ☞ 125 kN to EN 124.
- **Installation area :**
 - Group 2 - Footways, pedestrians areas and comparable areas, car parks or car parking decks, and lower groups.
- **Coating :**
 - Non toxic waterbased black paint.
- **Product Certification :**
 - NF Mark
 - This quality mark certifies conformity to the 'NF' regulation 110 and other additional features as highlighted (☞) by the authorising body AFNOR CERTIFICATION, 11, rue Francis de Pressensé F-93571 LA PLAINE SAINT DENIS CEDEX

SPECIAL FEATURES :

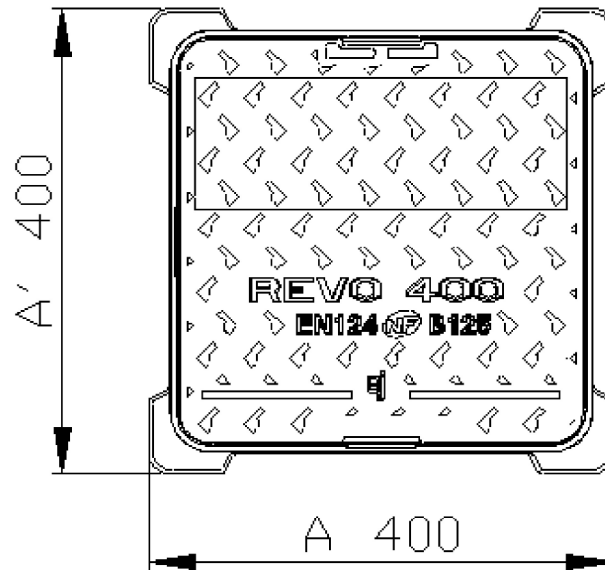
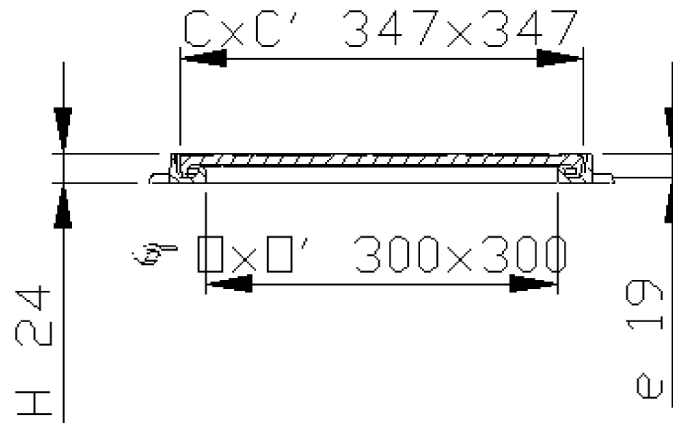
- **Cover :** 6.7 Kg
- **Product total :** 10,4 kg.
- **Surface finish :**
 - Cover: Anti-slip surface with 4L patented design.
- **Frame type :**
 - ☞ single seal ≥ 6mm. Odour resistant.
 - square monoblock frame as cast.
- **Frame bearing pressure :**
 - ☞ $p \leq 7.5 \text{ N/mm}^2$.

HANDLING :

The cover is provided with 2 symmetrically opposing holes to allow removal by means of a hook, pick or screwdriver.
The unit can be closed by sliding the cover on the frame.

OPTION(S) :

Badging : others badgings please enquire



- (☞) Certified characteristics.
- Weights (kg), dimensions (mm) and drawings provided for your guidance.
- We reserve the right to modify specifications without prior notice.
- Uncontrolled distribution.

CONFIDENTIAL
Property of EJ EMEA
Not to be used without permission.

EJ
ZI De Marivaux | Saint-Crépin Ibouvillers |
BP50409 | 60544 Méru Cedex | France

Quality System ISO 9001 - ISO 14001 - OHSAS 18001

ejco.com

Data sheet :
FT_546204

Date updated :
26.11.2014

Printed : 05.12.2014