



**ACCESS COVERS & FRAMES**

**REVO 400 D400 NF**

**CARRIAGEWAY COVER**

**Class D400  
EN124 : 1994  
EN GJS 500-7 Iron  
ISO 1083 / EN1563**



**DESIGN FEATURES :**

- *Material(s) :*  
 ⌀ SG Iron to ISO 1083 / EN1563, Grade 500-7.
- *Design load :*  
 ⌀ 400 kN to EN 124. Group 4 installation area - carriageway of roads (including pedestrian streets), hard shoulders and parking areas, for all types of roads vehicles (and lower groups).
- *Coating :*  
 Non toxic waterbased black paint.
- *Product Certification :*  
 NF Mark  
 This quality mark certifies conformity to the 'NF' regulation 110 and other additional features as highlighted (⌀) by the authorising body AFNOR CERTIFICATION, 11, rue Francis de Pressensé F-93571 LA PLAINE SAINT DENIS CEDEX

**SPECIAL FEATURES :**

- *Mass :*  
 Cover : 17.6 Kg  
 Product total : 30 kg.
- *Surface finish :*  
 Cover: Anti-slip surface with 4L patented design.
- *Frame type :*  
 square monoblock frame as cast.  
 ⌀ Depth : 100 mm  
 ⌀ Depth of insertion : e = 89 mm.
- *Securing of cover/grating within frame :*  
 ⌀ cover secured to the frame by the means of lugs.
- *Frame bearing pressure :*  
 ⌀  $p \leq 7.5 \text{ N/mm}^2$ .
- *Seatings ensure non-rock stability and silence :*  
 Polyethylene cushioning insert fixed to the frame.

**HANDLING :**

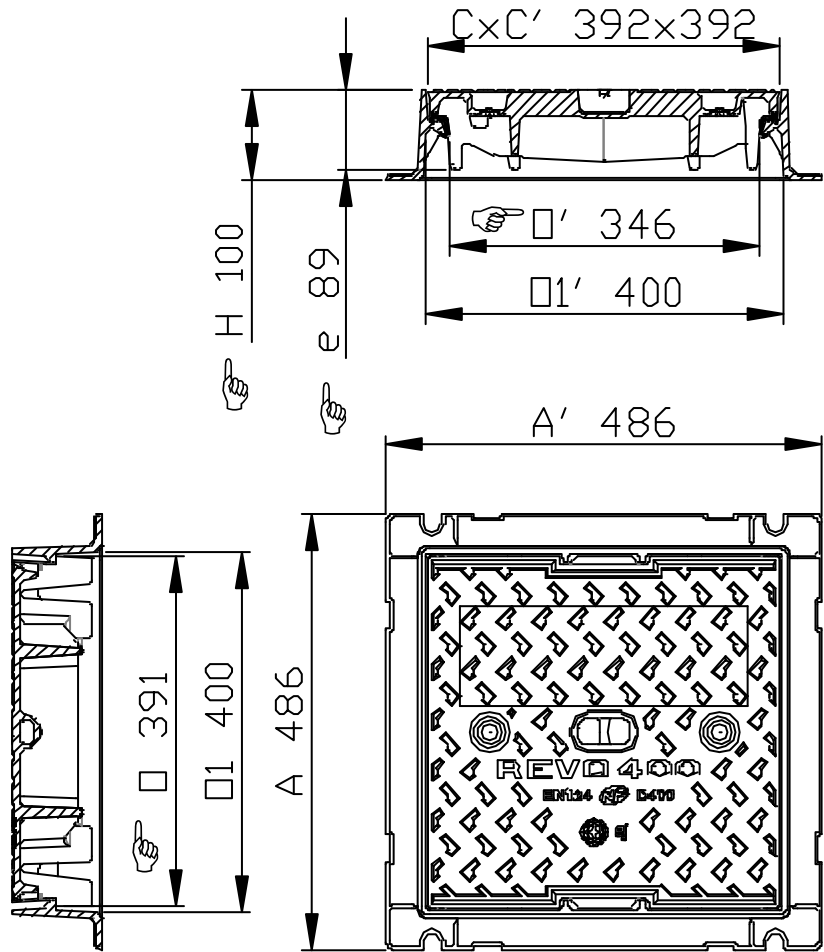
- Cover provided with 2 keyways to allow removal by means of a hook, or pick.

**CIVIL ENGINEERING :**

- The frame base is designed to ensure secure seating.
- The external geometry of the frame facilitates finishes such as paving or tiling.

**OPTION(S) :**

- Badging : others badgings please enquire {FR}Dispositif prédisposé pour la mise en place d'un système de verrouillage. {FR}Verrouillage "RETROFIT".



- ( ⌀ ) Certified characteristics.
- Weights (kg), dimensions (mm) and drawings provided for your guidance.
- We reserve the right to modify specifications without prior notice.
- Uncontrolled distribution.

**CONFIDENTIAL**  
**Property of EJ EMEA**  
**Not to be used without permission.**

**EJ**  
 ZI De Marivaux | Saint-Crépin Ibouvillers |  
 BP50409 | 60544 Méru Cedex | France  
  
 Quality System ISO 9001 - ISO 14001 - OHSAS 18001  
 ejco.com

**Data sheet :**  
**FT\_544763**  
**Date updated :**  
**20.03.2015**  
**Printed : 20.03.2015**