



ACCESS COVERS & FRAMES

**Class C250
EN124 : 1994**

SHCC300 C250 NF

**EN GJS 500-7 Iron
ISO 1083 / EN1563**

SQUARE SINGLE SEAL / SHC RANGE



DESIGN FEATURES :

- **Material(s) :**
☞ SG Iron to ISO 1083 / EN1563, Grade 500-7.
- **Design load :**
☞ 250 kN to EN124. Group 3 installation area - for gully tops located in kerbside channels of roads which when measured from the kerb edge, extend a maximum of 0,5 m into the carriageway and a maximum of 0,2 m into the footway.
- **Coating :**
Non toxic waterbased black paint.
- **Product Certification :**
NF Mark
This quality mark certifies conformity to the 'NF' regulation 110 and other additional features as highlighted (☞) by the authorising body AFNOR CERTIFICATION, 11, rue Francis de Pressensé F-93571 LA PLAINE SAINT DENIS CEDEX

SPECIAL FEATURES :

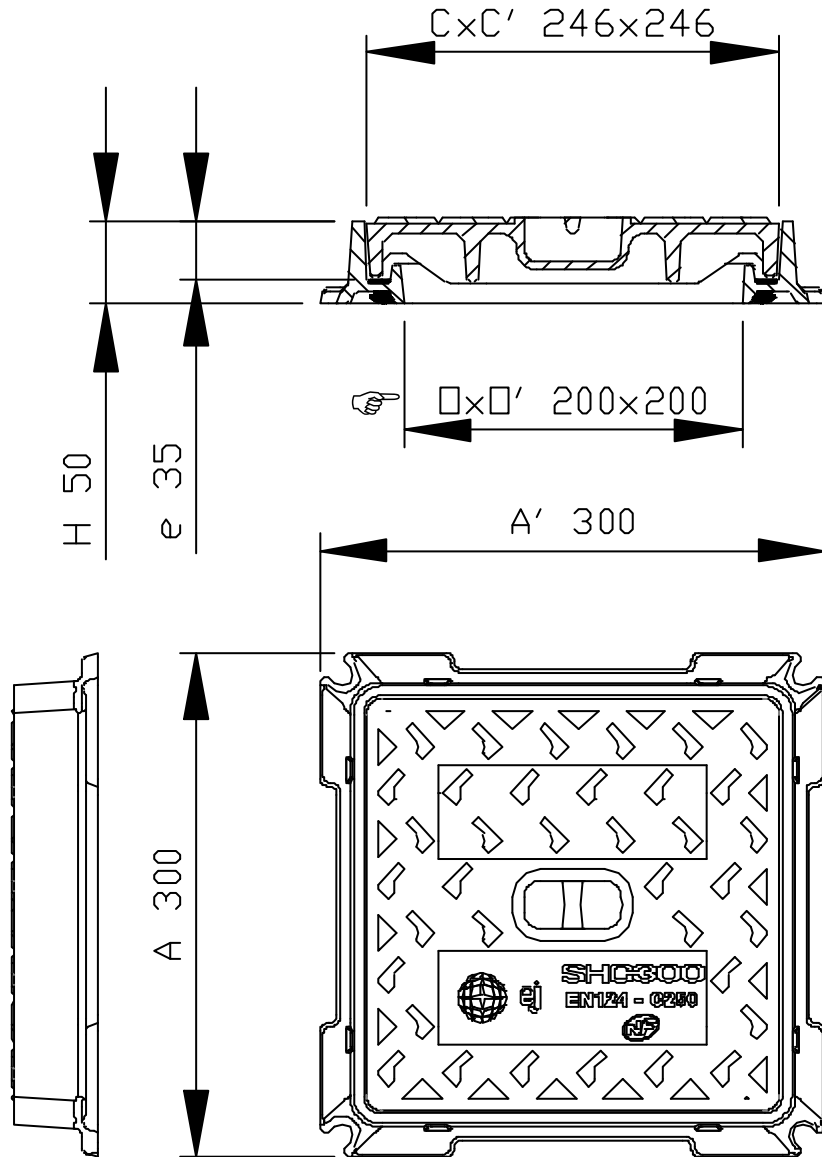
- **Mass :**
Cover : 6 Kg
Product total : 11 kg.
- **Surface finish :**
Cover: Anti-slip surface with 4L patented design.
- **Frame type :**
☞ single seal ≥ 6 mm. Odour resistant. square monoblock frame as cast.
- **Seatings ensure non-rock stability and silence :**
By 4 rubber cushioning inserts fixed to the frame.
- **Frame bearing pressure :**
☞ $p \leq 7.5$ N/mm².
- **Cover type :**
Square : 246 mm.

HANDLING :

The cover is provided with one keyway to allow removal by means of a hook or pick.

OPTION(S) :

Badging : others badgings please enquire



- (☞) Certified characteristics.
- Weights (kg), dimensions (mm) and drawings provided for your guidance.
- We reserve the right to modify specifications without prior notice.
- Uncontrolled distribution.

CONFIDENTIAL
Property of EJ EMEA
Not to be used without permission.

EJ
ZI De Marivaux | Saint-Crépin Ibouvillers |
BP50409 | 60544 Méru Cedex | France

Système Qualité ISO 9001 - ISO 14001 - OHSAS 18001

ejco.com

Data sheet :
FT_542389
Date updated :
05.11.2012
Printed : 16.11.2012