



## ACCESS COVERS & FRAMES

Class C250  
EN124 : 1994

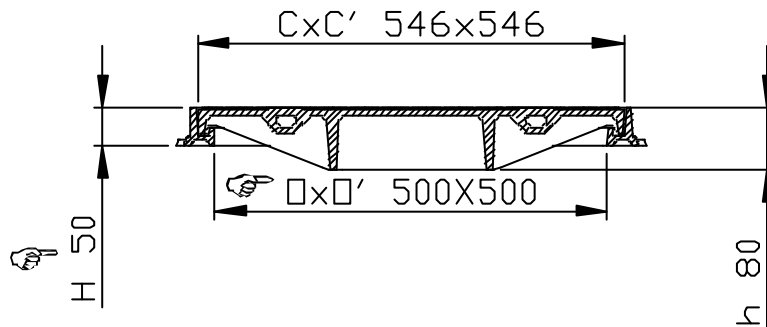
# SHCC600 EN124 C250 "NF"

EN GJS 500-7 Iron  
ISO 1083 / EN1563

## SQUARE SINGLE SEAL / SHC RANGE

### DESIGN FEATURES :

- **Material(s) :**
  - ☞ SG Iron to ISO 1083 / EN1563, Grade 500-7.
- **Design load :**
  - ☞ 250 kN to EN124. Group 3 installation area - for gully tops located in kerbside channels of roads which when measured from the kerb edge, extend a maximum of 0,5 m into the carriageway and a maximum of 0,2 m into the footway.
- **Coating :**
  - Non toxic waterbased black paint.
- **Product Certification :**
  - NF Mark
  - This quality mark certifies conformity to the 'NF' regulation 110 and other additional features as highlighted (☞) by the authorising body AFNOR CERTIFICATION, 11, rue Francis de Pressensé F-93571 LA PLAINE SAINT DENIS CEDEX



### SPECIAL FEATURES :

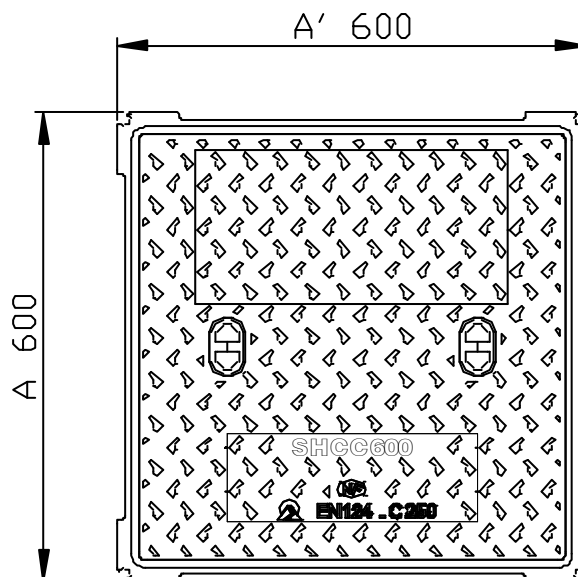
- **Mass :**
  - Cover : 28 Kg
  - Product total : 39 kg.
- **Surface finish :**
  - Cover: Anti-slip surface with 4L patented design.
- **Frame type :**
  - ☞ single seal  $\geq$  6mm. Odour resistant.
  - square monoblock frame as cast.
- **Seatings ensure non-rock stability and silence :**
  - By 4 rubber cushioning inserts fixed to the frame.
- **Frame bearing pressure :**
  - ☞  $p \leq 7.5$  N/mm<sup>2</sup>.

### HANDLING :

The cover is provided with 1 or 2 keyways to allow removal by means of a hook or pick.

### OPTION(S) :

- Badging : Please enquire.
- Badging space depending on size of cover.



- (☞) Certified characteristics.
- Weights (kg), dimensions (mm) and drawings provided for your guidance.
- We reserve the right to modify specifications without prior notice.
- Uncontrolled distribution.

**CONFIDENTIAL**  
Property of EJ EMEA  
Not to be used without permission.

**EJ**  
ZI De Marivaux | Saint-Crépin Ibouvillers |  
BP50409 | 60544 Méru Cedex | France  
  
Système Qualité ISO 9001 - ISO 14001 - OHSAS 18001  
  
ejco.com

**Data sheet :**  
FT\_518753  
**Date updated :**  
02.04.2012  
**Printed :** 16.04.2012