



ACCESS COVERS & FRAMES

**Class C250
EN124 : 1994**

SHCC700 EN124 C250 "NF"

**EN GJS 500-7 Iron
ISO 1083 / EN1563**

SQUARE SINGLE SEAL / SHC RANGE



DESIGN FEATURES :

- *Material(s) :*
☞ SG Iron to ISO 1083 / EN1563, Grade 500-7.
- *Design load :*
☞ 250 kN to EN124. Group 3 installation area - for gully tops located in kerbside channels of roads which when measured from the kerb edge, extend a maximum of 0,5 m into the carriageway and a maximum of 0,2 m into the footway.
- *Coating :*
Non toxic waterbased black paint.
- *Product Certification :*
NF Mark
This quality mark certifies conformity to the 'NF' regulation 110 and other additional features as highlighted (☞) by the authorising body AFNOR CERTIFICATION, 11, rue Francis de Pressensé F-93571 LA PLAINE SAINT DENIS CEDEX

SPECIAL FEATURES :

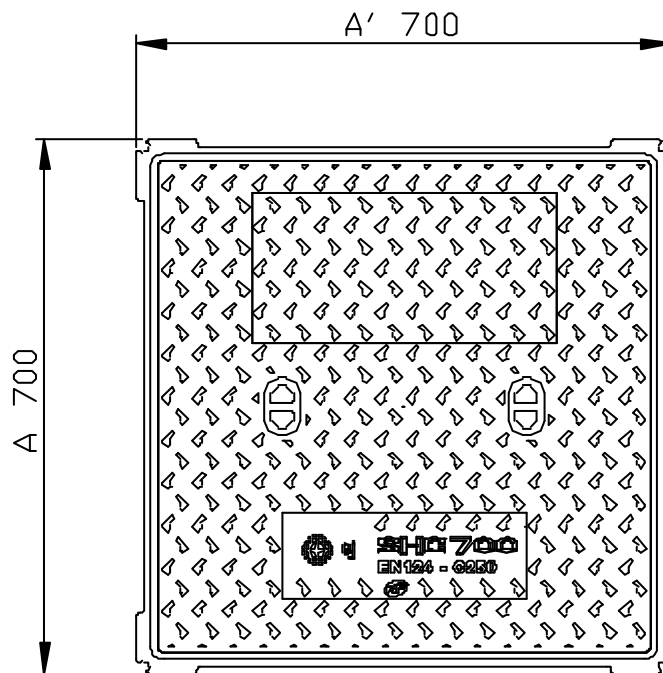
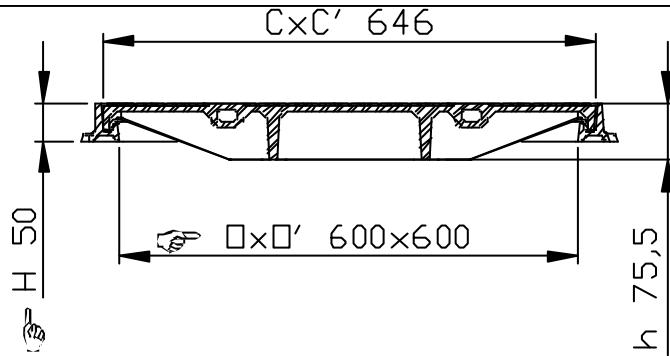
- *Mass :*
Cover : 40 Kg
Product total : 51,812 kg.
- *Surface finish :*
Cover: Anti-slip surface with 4L patented design.
- *Frame type :*
☞ single seal ≥ 6mm. Odour resistant.
square monoblock frame as cast.
- *Seatings ensure non-rock stability and silence :*
By 4 rubber cushioning inserts fixed to the frame.
- *Frame bearing pressure :*
☞ $p \leq 7.5 \text{ N/mm}^2$.

HANDLING :

The cover is provided with 1 or 2 keyways to allow removal by means of a hook or pick.

OPTION(S) :

- Badging : Please enquire.
Badging space depending on size of cover.



- (☞) Certified characteristics.
- Weights (kg), dimensions (mm) and drawings provided for your guidance.
- We reserve the right to modify specifications without prior notice.
- Uncontrolled distribution.

CONFIDENTIAL
Property of EJ EMEA
Not to be used without permission.

EJ
ZI De Marivaux | Saint-Crépin Ibouvillers |
BP50409 | 60544 Méru Cedex | France

Quality System ISO 9001 - ISO 14001 - OHSAS 18001

ejco.com

Data sheet :
FT_518754
Date updated :
19.07.2013
Printed : 06.09.2013