



**ACCESS COVERS & FRAMES**

**Class D400  
EN124 : 1994**

**SOLO O S EN124 D400 NF**

**EN GJS 500-7 Iron  
ISO 1083 / EN1563**

**SOLO COVER**



**DESIGN FEATURES :**

- **Material(s) :**
  - ☞ SG Iron to ISO 1083 / EN1563, Grade 500-7.
- **Design load :**
  - ☞ 400 kN to EN 124. Group 4 installation area - carriageway of roads (including pedestrian streets), hard shoulders and parking areas, for all types of roads vehicles (and lower groups).
- **Coating :**
  - Non toxic waterbased black paint.
- **Product Certification :**
  - NF Mark
  - This quality mark certifies conformity to the 'NF' regulation 110 and other additional features as highlighted (☞) by the authorising body AFNOR CERTIFICATION, 11, rue Francis de Pressensé F-93571 LA PLAINE SAINT DENIS CEDEX

**SPECIAL FEATURES :**

- **Mass :**
  - Cover : 56 Kg
  - Product total : 86 kg.
- **Surface finish :**
  - Cover: Anti-slip surface with 4L patented design.
- **Seatings ensure non-rock stability and silence :**
  - ☞ Wide flat "Chloroprene rubber" cushioning insert stuck on the cover.
- **Frame bearing pressure :**
  - ☞  $p \leq 7.5 \text{ N/mm}^2$ .
- **Securing of cover/grating within frame :**
  - ☞ with sufficient mass per unit area.
- **Frame type :**
  - Solid octagonal monoblock as cast, overall  $\varnothing$  : 850 mm.
  - ☞ Depth : 100 mm
- **Cover type :**
  - C : External diameter : 650 mm.
  - ☞ Depth of insertion : e = 60 mm.
- **Hinge :**
  - New ERGO hinge.
  - ☞ Opening angle  $\approx 120^\circ$ .
  - Cover block at  $90^\circ$  preventing accidental closure.
  - Identification mark : "S".

**OPTION(S) :**

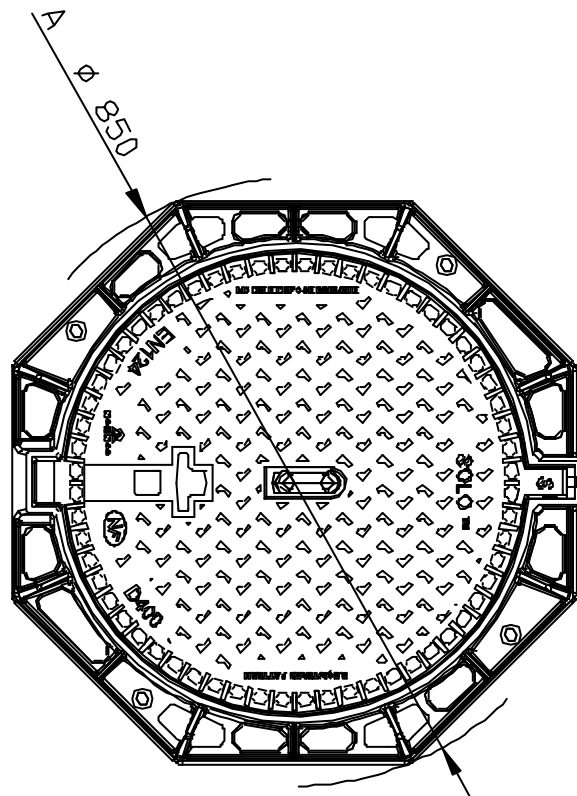
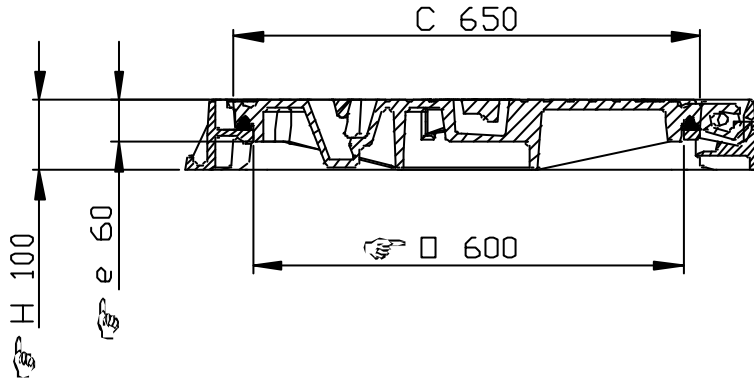
- Badging : Please enquire.
- Badging space depending on size of cover.

**CIVIL ENGINEERING :**

Frame provided with  $\varnothing 20 \text{ mm}$  holes to dowel on  $\varnothing 740 \text{ mm}$  circle if necessary.

**HANDLING :**

The cover is provided with 1 or 2 keyways to allow removal by means of a hook or pick. The cover can be removed from the  $120^\circ$  angle.



- (☞) Certified characteristics.
- Weights (kg), dimensions (mm) and drawings provided for your guidance.
- We reserve the right to modify specifications without prior notice.
- Uncontrolled distribution.

**CONFIDENTIAL**  
Property of EJ EMEA  
Not to be used without permission.

**EJ**  
ZI De Marivaux | Saint-Crépin Ibouvillers |  
BP50409 | 60544 Méru Cedex | France  
  
Système Qualité ISO 9001 - ISO 14001 - OHSAS 18001  
  
ejco.com

Data sheet : FT\_532495  
Date updated :  
27.02.2012  
Printed : 14.03.2012