



ACCESS COVERS & FRAMES

TI440 DECOR

PARKING COVER

Class C250
EN124 : 1994
EN GJS 500-7 Iron
ISO 1083 / EN1563



DESIGN FEATURES :

- **Material(s) :**
 ⚙ SG Iron to ISO 1083 / EN1563, Grade 500-7.
- **Design load :**
 ⚙ 250 kN to EN124. Group 3 installation area - for gully tops located in kerbside channels of roads which when measured from the kerb edge, extend a maximum of 0,5 m into the carriageway and a maximum of 0,2 m into the footway.
- **Coating :**
 Non toxic waterbased black paint.
- **Product Certification :**
 NF Mark
 This quality mark certifies conformity to the 'NF' regulation 110 and other additional features as highlighted (⚙) by the authorising body AFNOR CERTIFICATION, 11, rue Francis de Pressensé F-93571 LA PLAINE SAINT DENIS CEDEX

SPECIAL FEATURES :

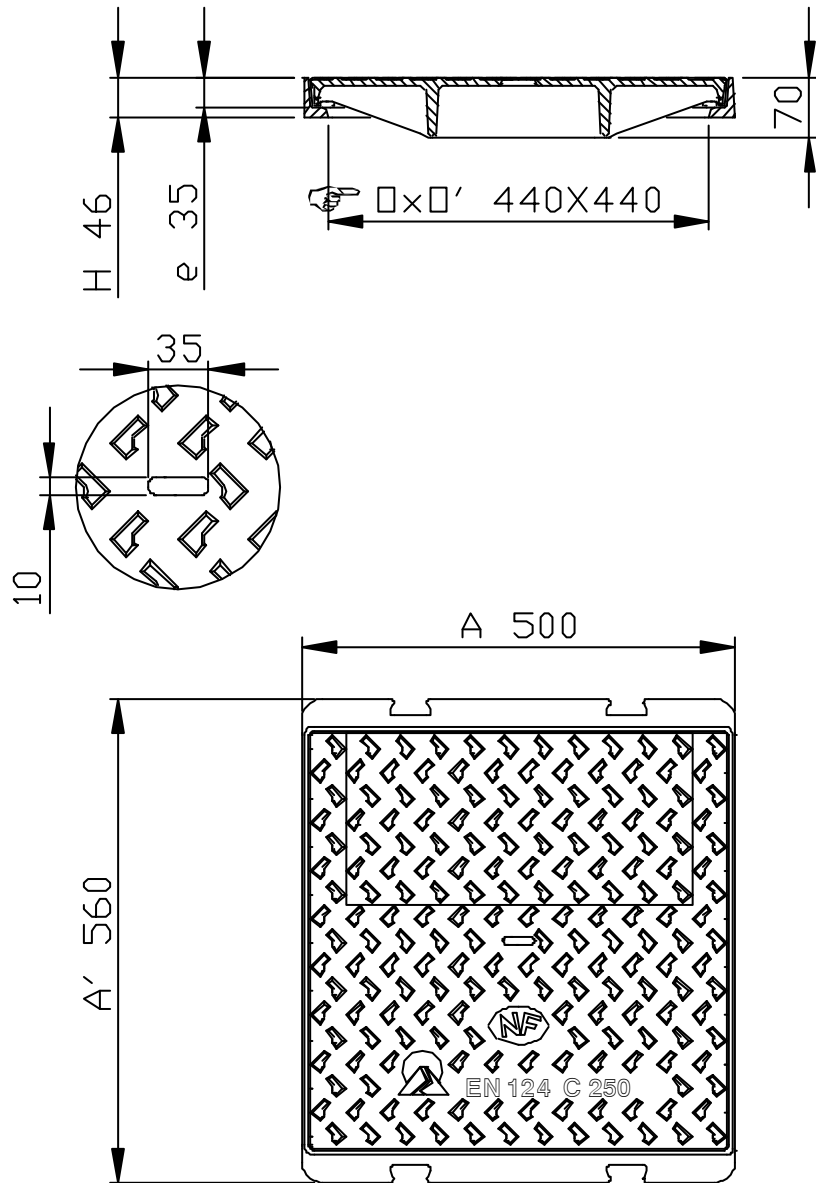
- **Mass :**
 Cover : 21 Kg
 Product total : 31 kg.
- **Surface finish :**
 Cover: Anti-slip surface with 4L patented design.
- **Frame type :**
 ⚙ Depth : 46 mm
 square monoblock frame as cast.
- **Frame bearing pressure :**
 ⚙ $p \leq 7.5 \text{ N/mm}^2$.

HANDLING :

The cover is provided with 1 hole to allow removal by means of a hook, pick or screwdriver.

OPTION(S) :

Badging : others badgings please enquire



- (⚙) Certified characteristics.
- Weights (kg), dimensions (mm) and drawings provided for your guidance.
- We reserve the right to modify specifications without prior notice.
- Uncontrolled distribution.

CONFIDENTIAL
Property of EJ EMEA
Not to be used without permission.

EJ
 ZI De Marivaux | Saint-Crépin Ibouvillers |
 BP50409 | 60544 Méru Cedex | France

 Quality System ISO 9001 - ISO 14001 - OHSAS 18001

 ejco.com

Data sheet :
FT_520623
Date updated :
15.04.2014
Printed : 09.07.2014