



**ACCESS COVERS & FRAMES**

**Class D400  
EN124 : 1994**

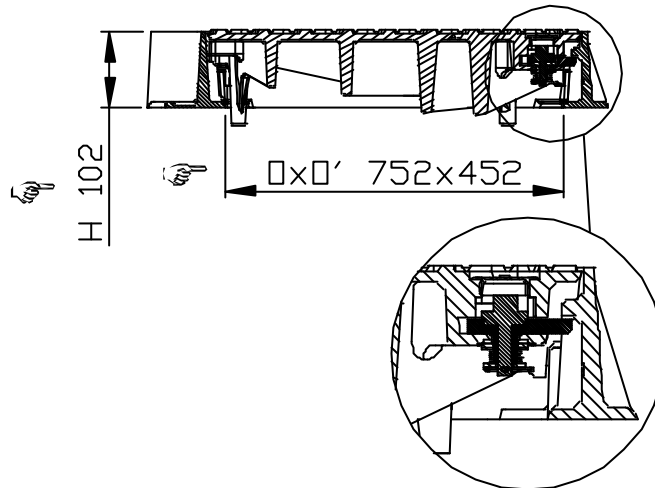
**TI4S075045AV11 NF**

**EN GJS 500-7 Iron  
ISO 1083 / EN1563**

**CARRIAGEWAY COVER**

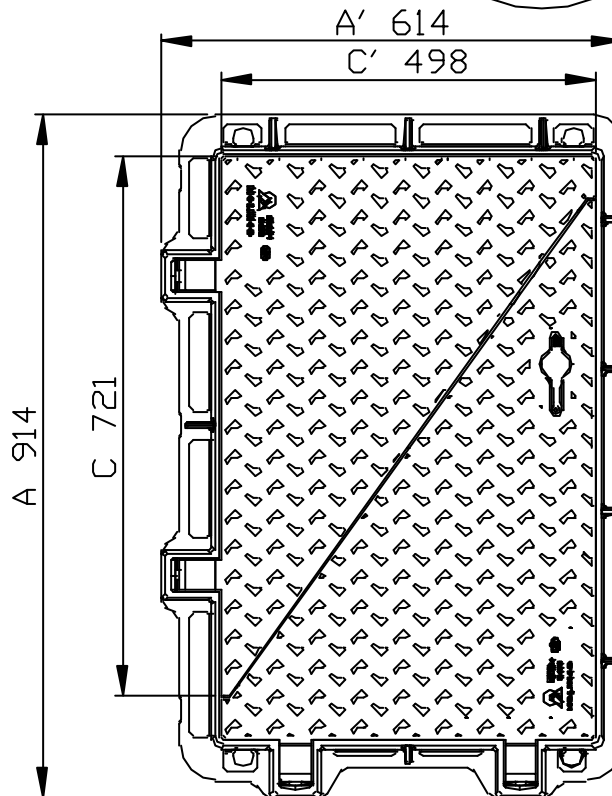
**DESIGN FEATURES :**

- *Material(s) :*  
☞ SG Iron to ISO 1083 / EN1563, Grade 500-7.
- *Design load :*  
☞ 400 kN to EN 124. Group 4 installation area - carriageway of roads (including pedestrian streets), hard shoulders and parking areas, for all types of roads vehicles (and lower groups).
- *Coating :*  
Non toxic waterbased black paint.
- *Product Certification :*  
NF Mark  
This quality mark certifies conformity to the 'NF' regulation 110 and other additional features as highlighted (☞) by the authorising body AFNOR CERTIFICATION, 11, rue Francis de Pressensé F-93571 LA PLAINE SAINT DENIS CEDEX



**SPECIAL FEATURES :**

- *Mass :*  
Each triangular cover : 28.9 kg  
Product total : 91.5 kg.
- *Seatings ensure non-rock stability and silence :*  
☞ Non-rocking by means of three-point suspension.
- *Frame bearing pressure :*  
☞  $p = 2.05 \text{ N/mm}^2$ .
- *Surface finish :*  
Cover: Anti-slip surface with 4L patented design.
- *Securing of cover/grating within frame :*  
☞ Secured by locking mechanism.
- *Frame type :*  
Rectangular monoblock as cast.
- *Cover type :*  
The cover is secured by the covering of the slave cover by the main cover and locking of this one on the frame.
- *Hinge :*  
☞ Opening angle  $\approx 110^\circ$ .  
Secured (Cover block at  $90^\circ$  preventing accidental closure).  
Cover locked to the frame by means of stainless steel free axle locking system with coded key.



**HANDLING :**

The locking key is used as a handling key once the cover is unlocked.  
Cover can be removed at  $90^\circ$  angle.

- (☞) Certified characteristics.
- Weights (kg), dimensions (mm) and drawings provided for your guidance.
- We reserve the right to modify specifications without prior notice.
- Uncontrolled distribution.

**CONFIDENTIAL**  
Property of EJ EMEA  
Not to be used without permission.

**EJ**  
ZI De Marivaux | Saint-Crépin Ibouvillers |  
BP50409 | 60544 Méru Cedex | France  
  
Système Qualité ISO 9001 - ISO 14001 - OHSAS 18001  
  
ejco.com

**Data sheet :**  
FT\_532415  
**Date updated :**  
02.04.2012  
**Printed :** 27.04.2012