



ACCESS COVERS & FRAMES

**Class D400
EN124 : 1994**

TI4S090090AV DECOR NF

**EN GJS 500-7 Iron
ISO 1083 / EN1563**

CARRIAGEWAY COVER

DESIGN FEATURES :

- *Material(s) :*
☞ SG Iron to ISO 1083 / EN1563, Grade 500-7.
- *Design load :*
☞ 400 kN to EN 124. Group 4 installation area - carriageway of roads (including pedestrian streets), hard shoulders and parking areas, for all types of roads vehicles (and lower groups).
- *Coating :*
Non toxic waterbased black paint.
- *Product Certification :*
NF Mark
This quality mark certifies conformity to the 'NF' regulation 110 and other additional features as highlighted (☞) by the authorising body AFNOR CERTIFICATION, 11, rue Francis de Pressensé F-93571 LA PLAINE SAINT DENIS CEDEX



SPECIAL FEATURES :

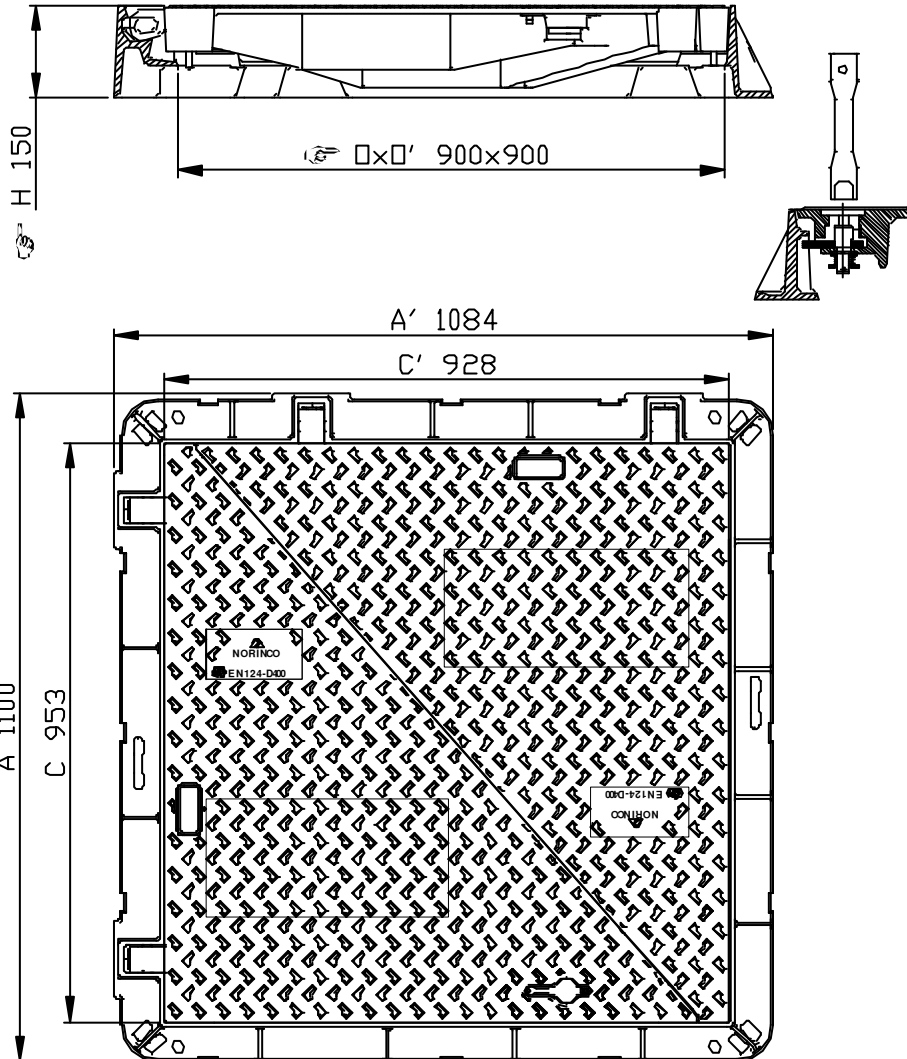
- *Mass :*
Each triangular cover : 66 kg
Product total : 210 kg.
- *Seatings ensure non-rock stability and silence :*
☞ Non-rocking by means of three-point suspension.
- *Frame bearing pressure :*
☞ $p \leq 7.5 \text{ N/mm}^2$.
- *Surface finish :*
Cover: Anti-slip surface with 4L patented design.
- *Securing of cover/grating within frame :*
☞ Secured by locking mechanism.
- *Frame type :*
square monoblock frame as cast.
- *Cover type :*
Blocking safety feature prevents covers from closing unexpectedly .
Hinged covers.
Aperture $\approx 110^\circ$.
Cover provided with a turnbuckle locking system and coded key.

HANDLING :

Unlocking and opening by means of a coded key.

OPTION(S) :

- Badging : Please enquire.
Badging space depending on size of cover.



- Weights (kg), dimensions (mm), and drawings provided for your guidance.
- We reserve the right to modify specifications without prior notice.
- Uncontrolled distribution.

CONFIDENTIAL
Property of EJ EMEA
Not to be used without permission.

EJ
ZI De Marivaux | Saint-Crépin Ibouvillers |
BP50409 | 60544 Méru Cedex | France

Système Qualité ISO 9001 - ISO 14001 - OHSAS 18001

ejco.com

Data sheet :
FT_538176
Date updated :
19.03.2012
Printed : 29.03.2012