



**ACCESS COVERS & FRAMES**

**Class C250  
EN124 : 1994**

**TI6040 DECOR**

**EN GJS 500-7 Iron  
ISO 1083 / EN1563**

**PARKING COVER**



**DESIGN FEATURES :**

- *Material(s) :*  
 ⚙ SG Iron to ISO 1083 / EN1563, Grade 500-7.
- *Design load :*  
 ⚙ 250 kN to EN124. Group 3 installation area - for gully tops located in kerbside channels of roads which when measured from the kerb edge, extend a maximum of 0,5 m into the carriageway and a maximum of 0,2 m into the footway.  
 Test load :  $\geq 400$  kN.
- *Coating :*  
 Non toxic waterbased black paint.
- *Product Certification :*  
 NF Mark  
 This quality mark certifies conformity to the 'NF' regulation 110 and other additional features as highlighted (⚙) by the authorising body AFNOR CERTIFICATION, 11, rue Francis de Pressensé F-93571 LA PLAINE SAINT DENIS CEDEX

**SPECIAL FEATURES :**

- *Surface finish :*  
 Cover: Anti-slip surface with 4L patented design.
- *Mass :*  
 Cover : 28.5 Kg  
 Product total : 42 kg.
- *Frame type :*  
 ⚙ Depth : 57 mm  
 Rectangular monoblock as cast.
- *Frame bearing pressure :*  
 ⚙  $p \leq 7.5$  N/mm<sup>2</sup>.
- *Securing of cover/grating within frame :*  
 With sufficient mass per unit area.

**HANDLING :**

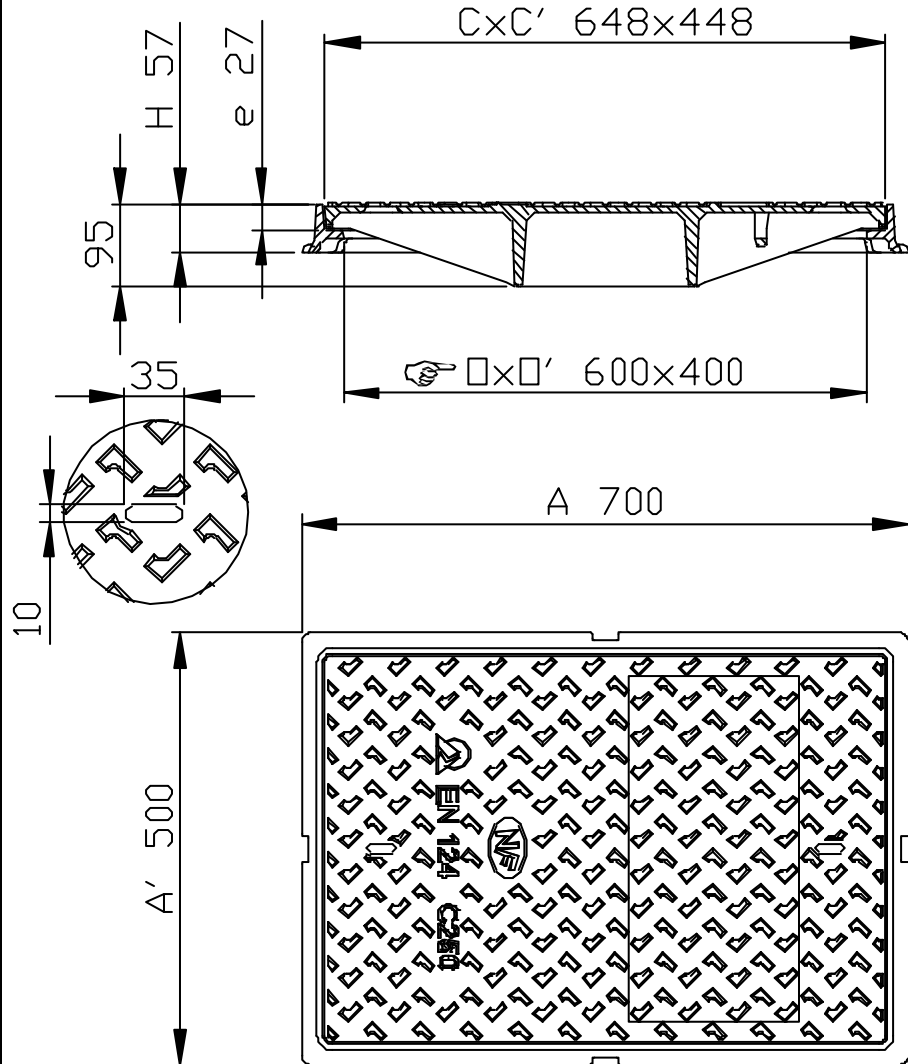
The cover is provided with 2 symmetrically opposing holes to allow removal by means of a hook, pick or screwdriver.

**CIVIL ENGINEERING :**

The frame base is designed to ensure secure seating.

**OPTION(S) :**

Badging : others badgings please enquire



- (⚙) Certified characteristics.
- Weights (kg), dimensions (mm) and drawings provided for your guidance.
- We reserve the right to modify specifications without prior notice.
- Uncontrolled distribution.

**CONFIDENTIAL**  
 Property of EJ EMEA  
 Not to be used without permission.

**EJ**  
 ZI De Marivaux | Saint-Crépin Ibouvillers |  
 BP50409 | 60544 Méru Cedex | France  
  
 Quality System ISO 9001 - ISO 14001 - OHSAS 18001  
  
 ejco.com

**Data sheet :**  
 FT\_520622  
**Date updated :**  
 19.07.2013  
**Printed :** 06.09.2013