



**ACCESS COVERS & FRAMES**

**Class D400  
EN124 : 1994**

**TRUCK600 EN124 D400 NF**

**EN GJS 500-7 Iron  
ISO 1083 / EN1563**

**TRUCK RANGE**



**DESIGN FEATURES :**

- **Material(s) :**  
☞ SG Iron to ISO 1083 / EN1563, Grade 500-7.
- **Design load :**  
☞ 400 kN to EN 124. Group 4 installation area - carriageway of roads (including pedestrian streets), hard shoulders and parking areas, for all types of roads vehicles (and lower groups).
- **Coating :**  
Non toxic waterbased black paint.
- **Product Certification :**  
NF Mark  
This quality mark certifies conformity to the 'NF' regulation 110 and other additional features as highlighted (☞) by the authorising body AFNOR CERTIFICATION, 11, rue Francis de Pressensé F-93571 LA PLAINE SAINT DENIS CEDEX

**SPECIAL FEATURES :**

- **Mass :**  
Cover : 44.5 Kg  
Product total : 68 kg.
- **Surface finish :**  
Cover: Anti-slip surface with 4L patented design.
- **Frame type :**  
square monoblock frame as cast.  
☞ Depth : 102 mm  
☞ Depth of insertion : e = 95 mm.
- **Securing of cover/grating within frame :**  
☞ cover secured to the frame by the means of lugs.
- **Frame bearing pressure :**  
☞  $p \leq 7.5 \text{ N/mm}^2$ .
- **Seatings ensure non-rock stability and silence :**  
Polyethylene cushioning insert fixed to the frame.

**HANDLING :**

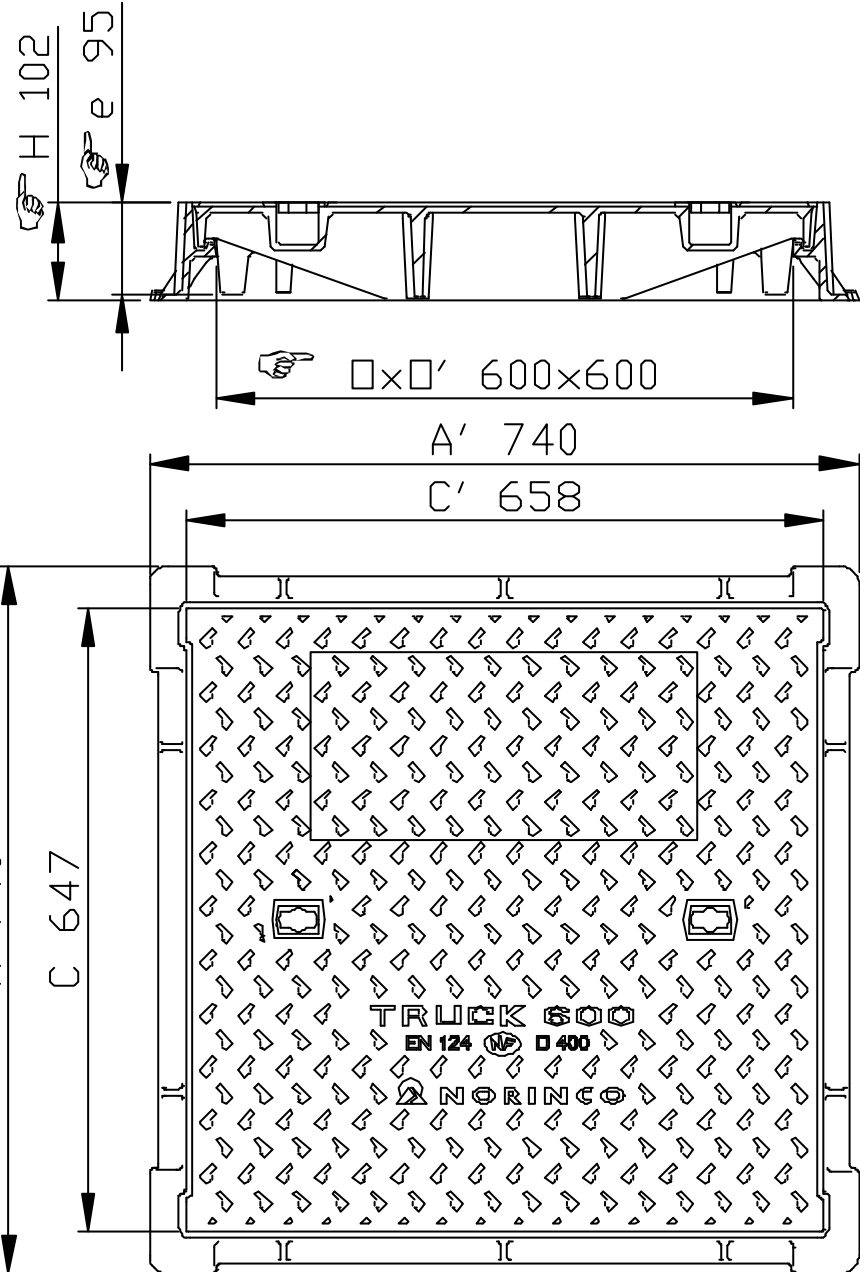
Closed BS keyway.  
Handle with BA1 heavy duty lifting key. (item code : 511793)

**CIVIL ENGINEERING :**

The frame base is designed to ensure secure seating.  
The external geometry of the frame facilitates finishes such as paving or tiling.

**OPTION(S) :**

- Badging : Please enquire.  
Badging space depending on size of cover.  
The cover is provided with 1 or 2 keyways to allow removal by means of a hook or pick.



- (☞) Certified characteristics.
- Weights (kg), dimensions (mm) and drawings provided for your guidance.
- We reserve the right to modify specifications without prior notice.
- Uncontrolled distribution.

**CONFIDENTIAL**  
Property of EJ EMEA  
Not to be used without permission.

**EJ**  
ZI De Marivaux | Saint-Crépin Ibouvillers |  
BP50409 | 60544 Méru Cedex | France  
  
Système Qualité ISO 9001 - ISO 14001 - OHSAS 18001  
  
ejco.com

**Data sheet :**  
FT\_524631  
**Date updated :**  
27.02.2012  
**Printed :** 28.02.2012