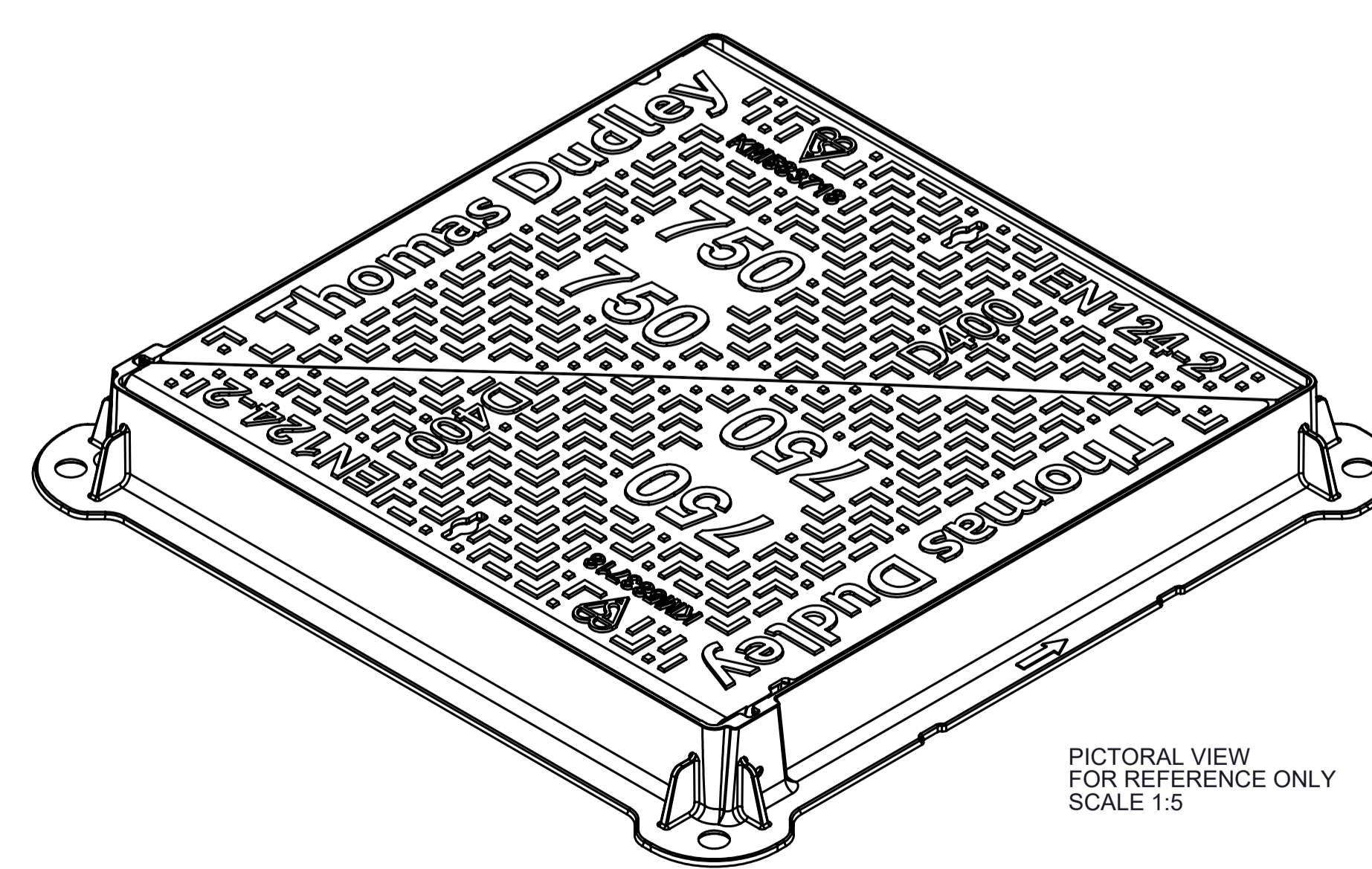
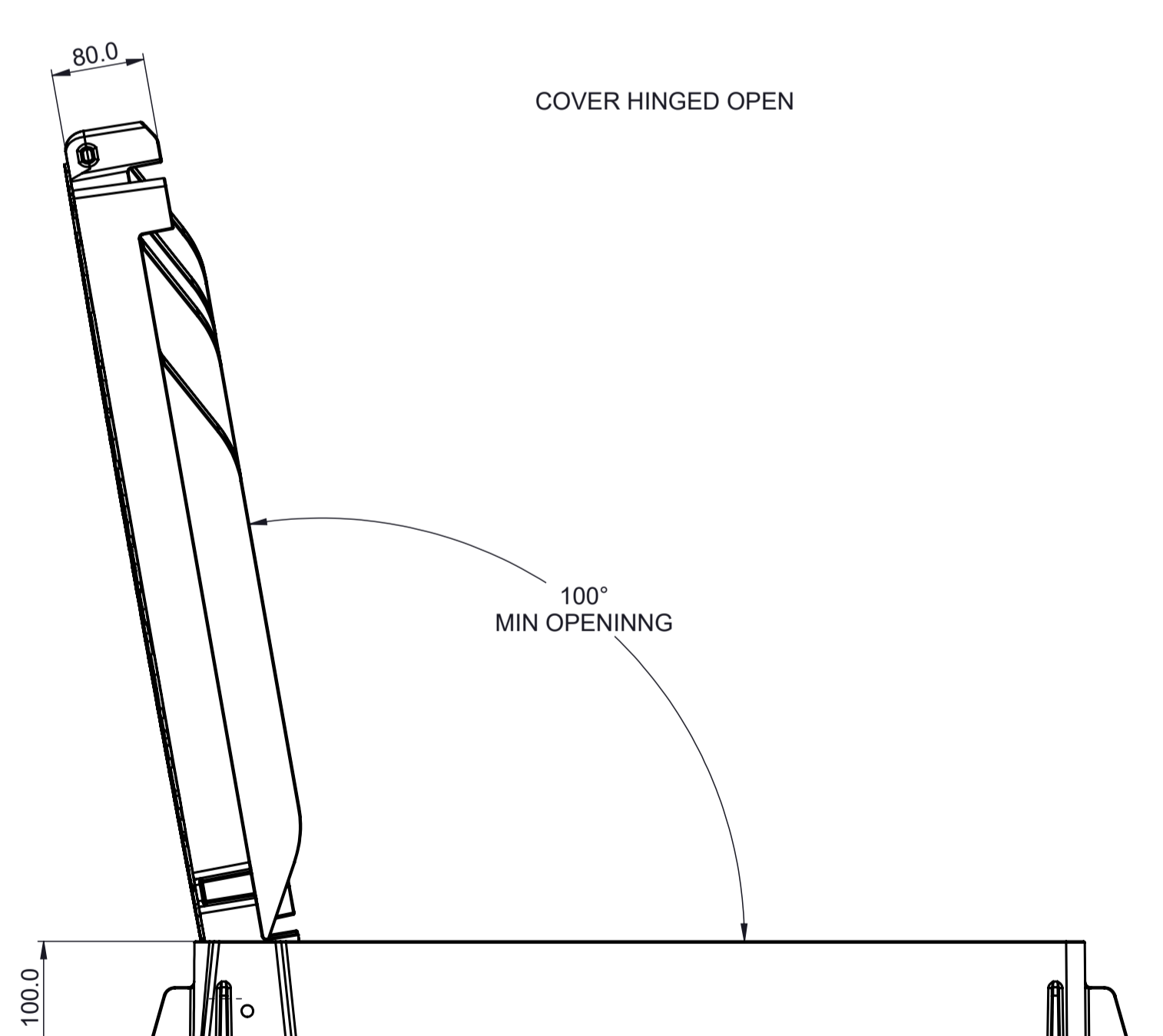
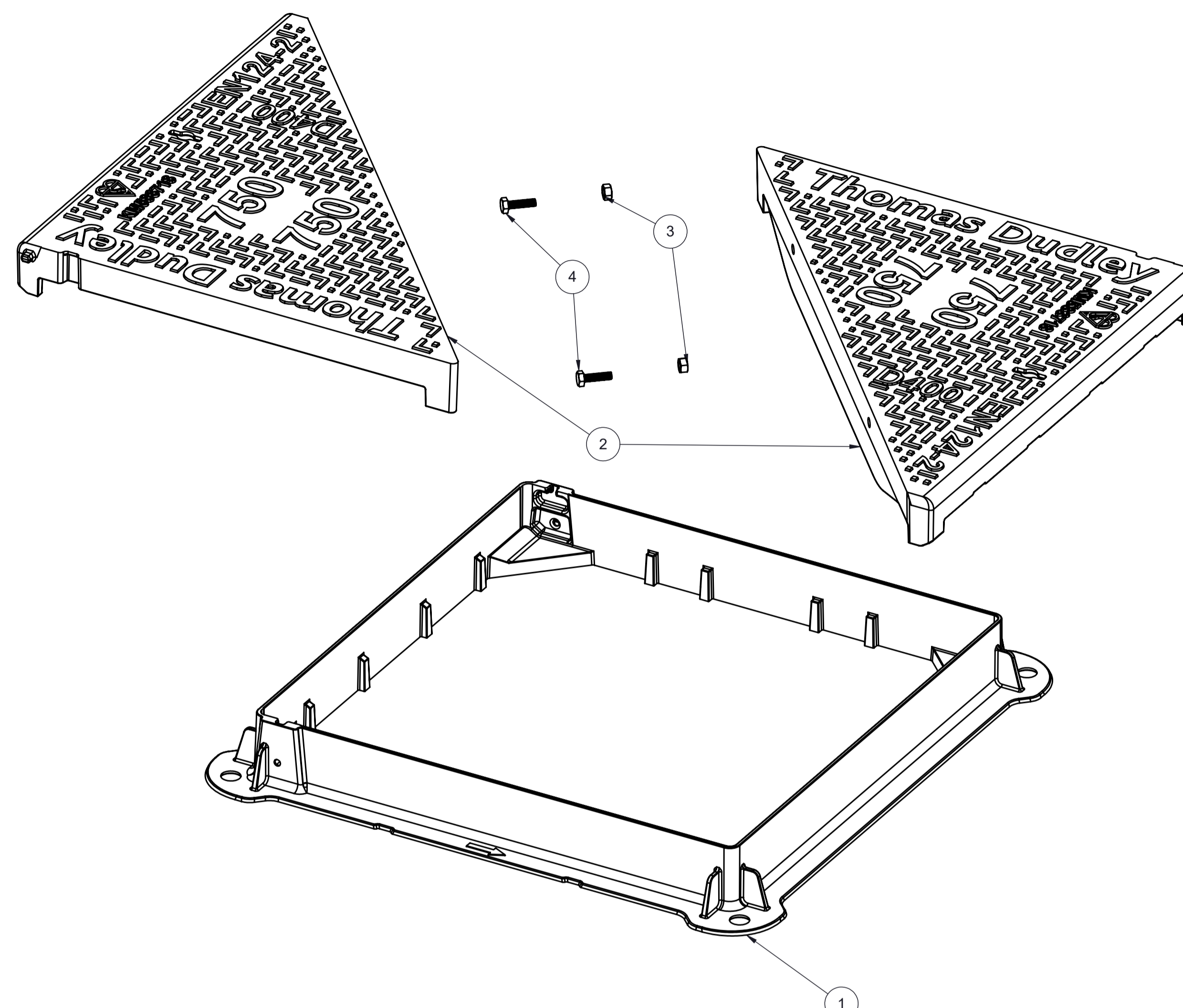
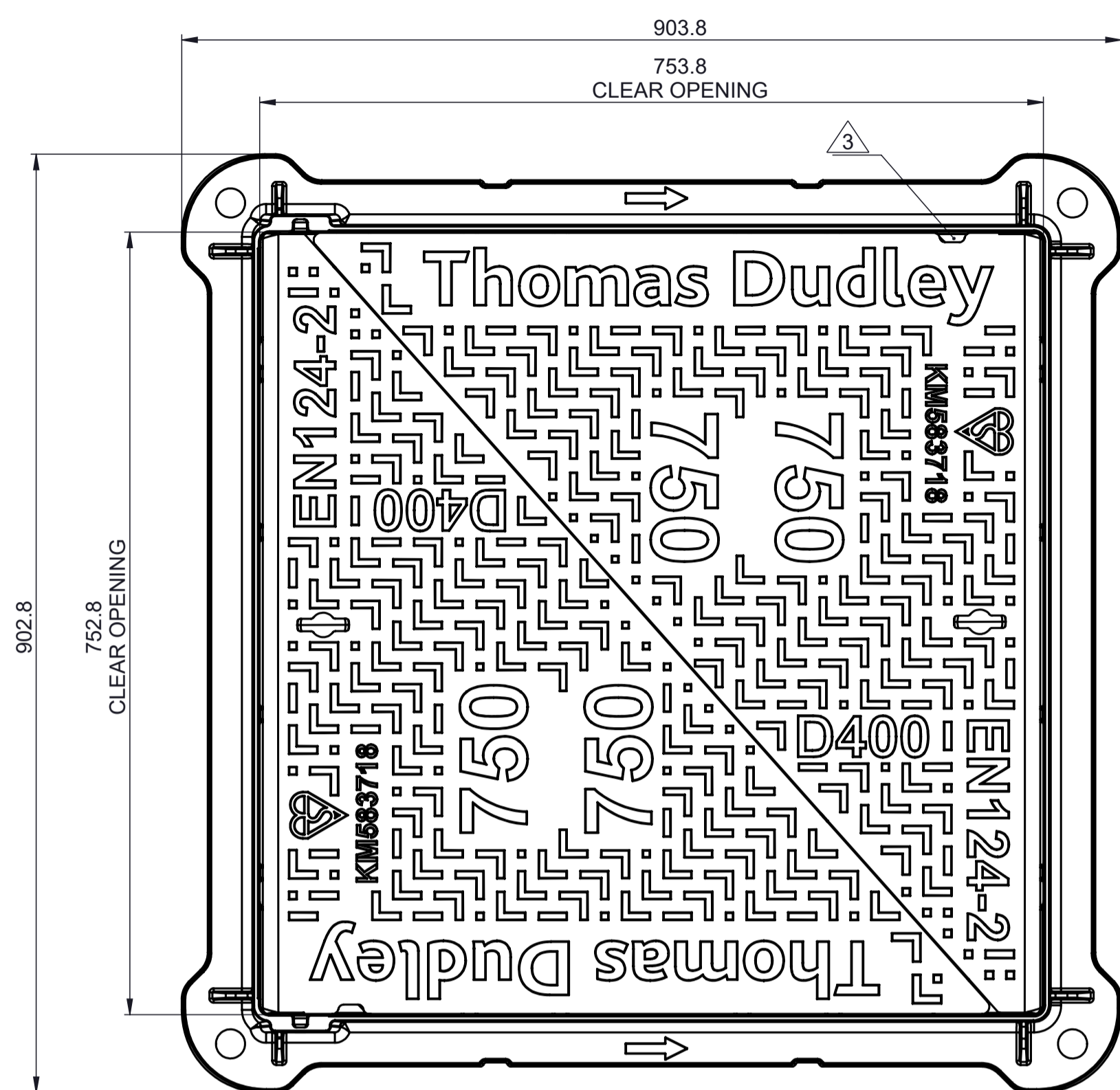


ITEM NO.	DRAWING NO.	DESCRIPTION	SIZE	QTY.
1	13290	MANHOLE FRAME D400	750 x 750 x 100	1
2	13289	MANHOLE COVER D400	750x750x100	2
3	N/A	HEX NUT	M12	2
4	13549	HEX BOLT	M12 x 40mm	2



PICTORAL VIEW FOR REFERENCE ONLY SCALE 1:5

NOTES:

- DEPTH OF INSERTION 80MM
- SOLID FLANGES
- HINGED AS STANDARD

FSUCFC330940	REFER TO COMPONENT	REFER TO COMPONENT
PART No.	MATERIAL	APPLIED FINISH & COLOUR

CL	CDC	SLOT ADDED	07/03/19	3
CDC	HM	HINGE CHANGED TO LIFT OUT VERSION.	29/11/17	2
HM	CDC	TOOLING ISSUE	21/02/17	1
MOD	CHK	MODIFICATION	DATE	ISS

TD Thomas Dudley Ltd.
P.O.Box 28, Birmingham New Road
Dudley, West Midlands, DY1 4SN
Telephone: 0121 530 7000
www.thomasdudley.co.uk

This document and any design incorporated in it is the property of Thomas Dudley Ltd. It is strictly confidential and must used only for the purpose for which it is supplied and expressly authorised. Reproduction, manufacture or communication to third parties, in whole or part without prior written authorisation is strictly prohibited and is an infringement of Thomas Dudley Ltd's copyright and/or design right. Other intellectual property rights may also subsist in any part of this document or design or invention incorporated within them. Please contact: Thomas Dudley Ltd for further information.

A1 LINEAR TOLERANCE: ISO8062-3:2007 TO CT-9 UNLESS SPECIFIED ON DRAWING
DIMENSIONS IN mm DO NOT SCALE

DRAWN	CHECKED	SHEET
H MISTRY	C CORBETT	1 of 1
DATE	DATE	SCALE
21/02/2017	21/02/2017	1:5
PROJECT		
TD MANHOLE COVERS & FRAMES		
DESCRIPTION		
DOUBLE TRIANGULAR MC&F 750 x 750 x 100 D400		
DRG No.		ISSUE
13288		B