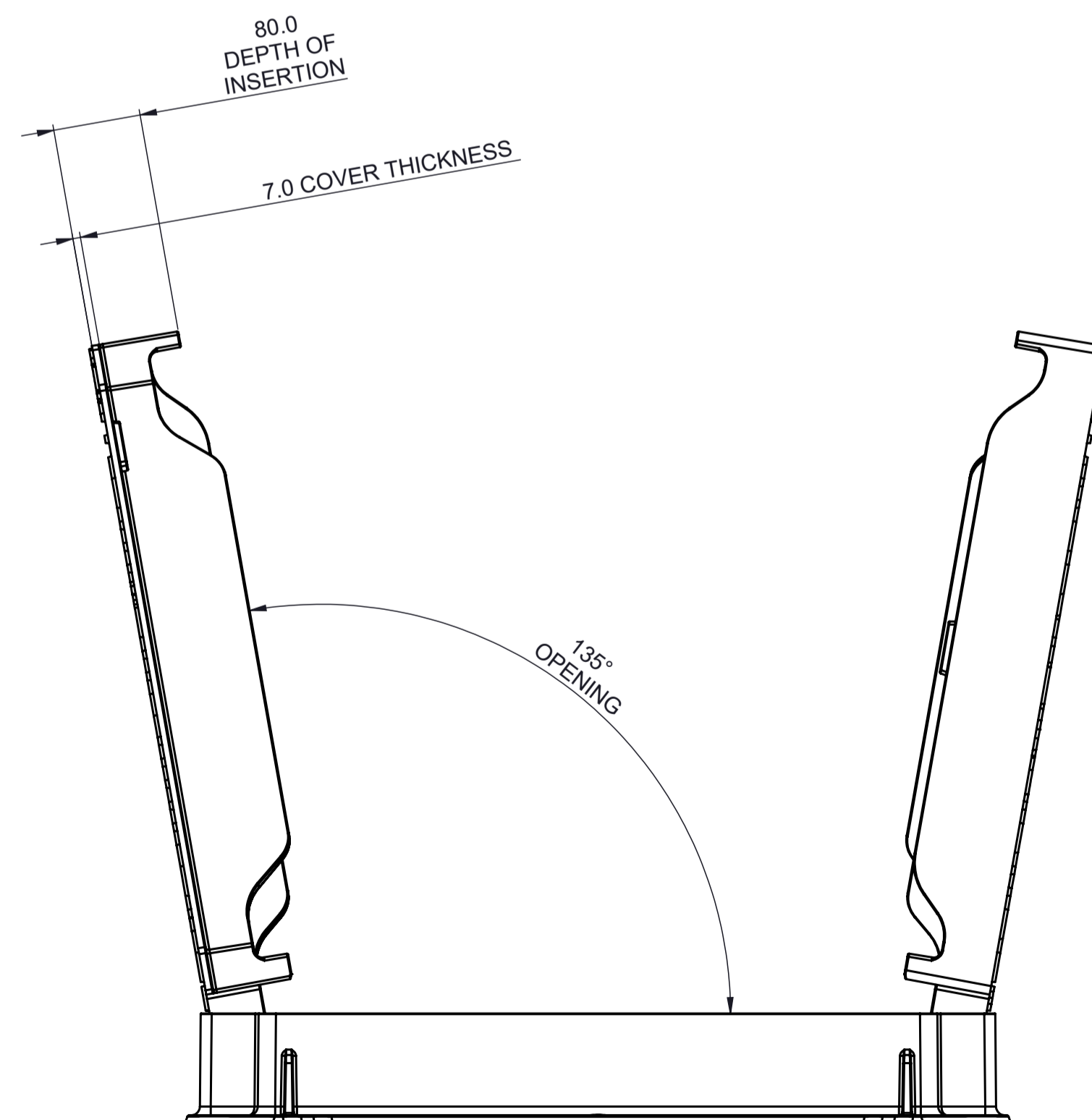
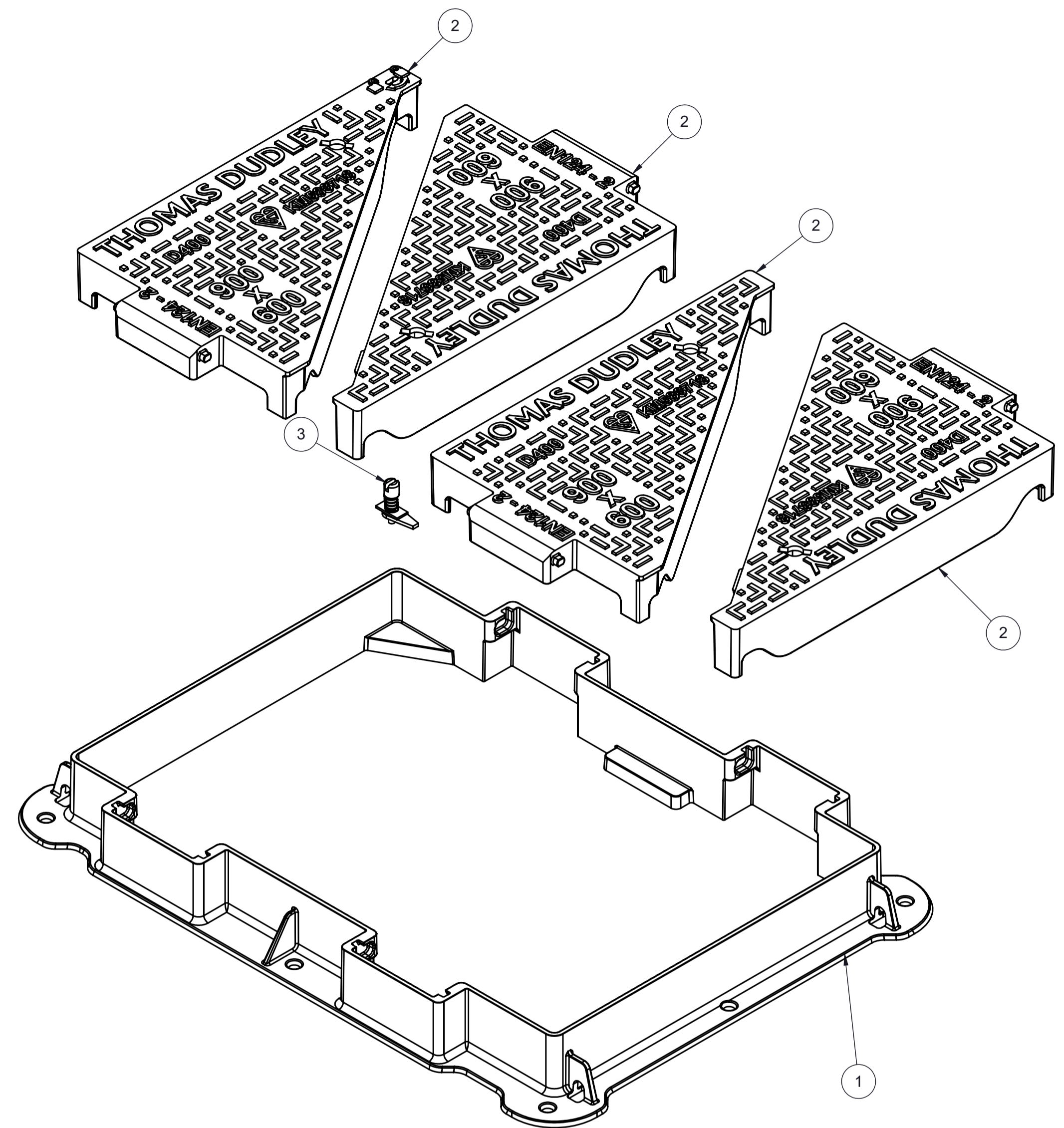
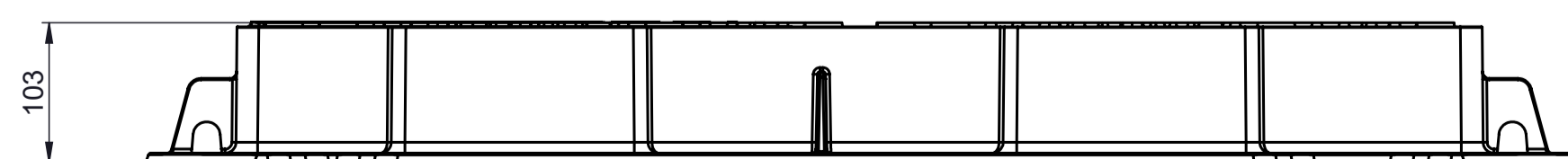
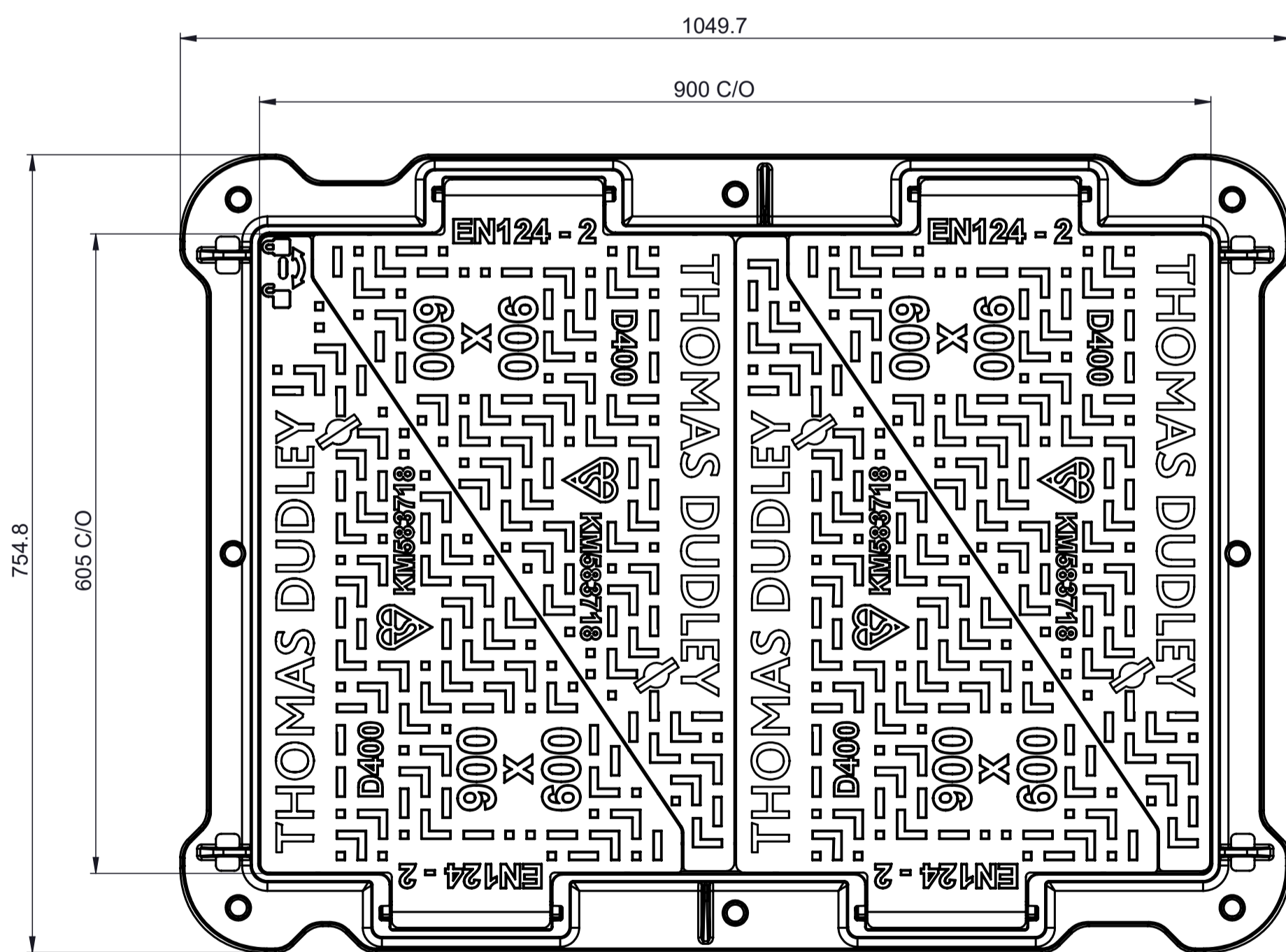
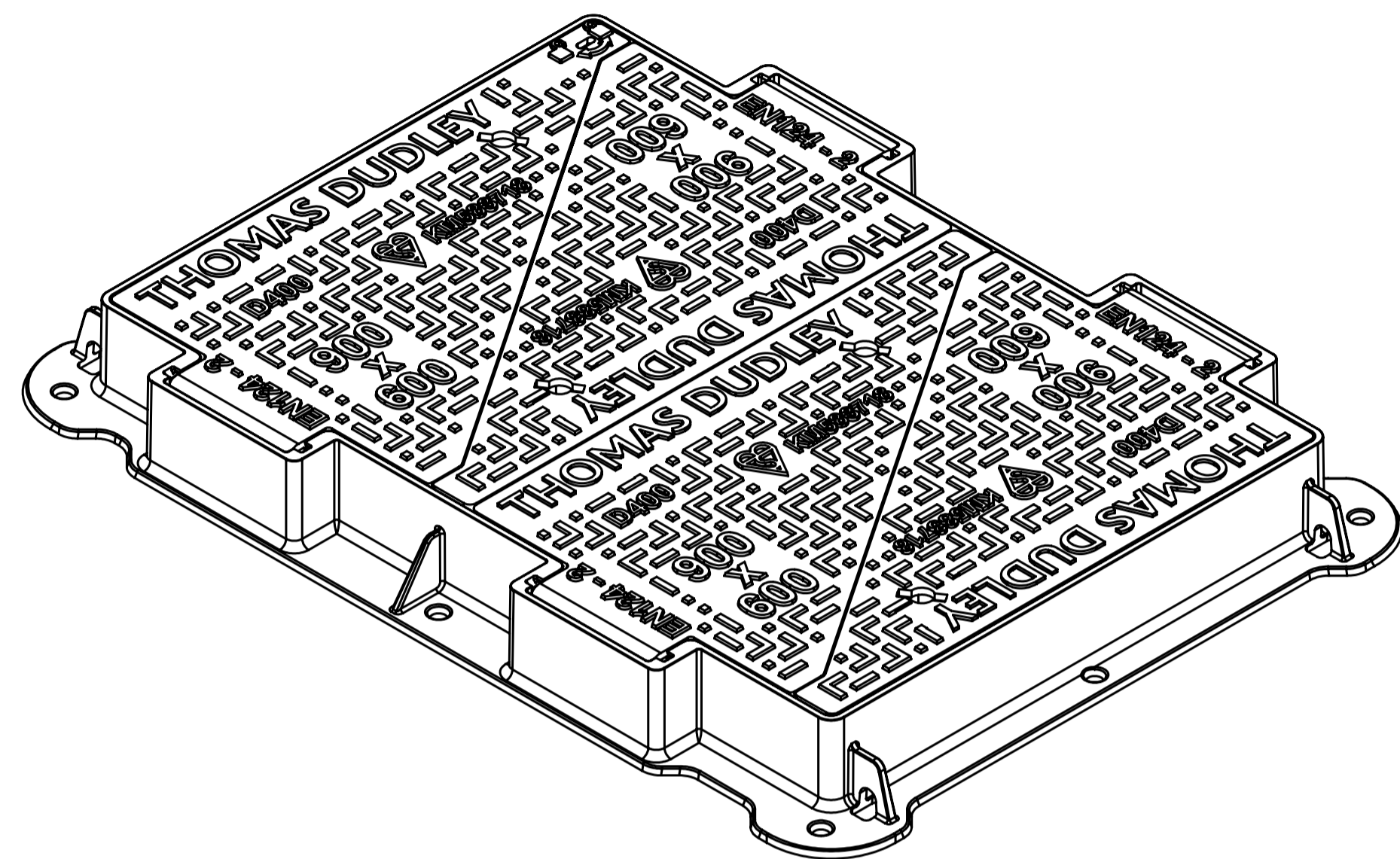


ITEM NO.	DRAWING No.	SIZE	DESCRIPTION	VERSION	Default/QT Y.
1	13601	900 x 600 x 100	FRAME	Default	1
2	13600	MANHOLE COVER D400	900 x 600 x 100	Master	1
3	13600	MANHOLE COVER D400	COVER	Slave 1	2
4	13600	MANHOLE COVER D400	COVER	Slave 2	1
5		TURNBUCKLE LOCK		Default	1



TBC	REFER TO COMPONENT	REFER TO COMPONENT
PART No.	MATERIAL	APPLIED FINISH & COLOUR

CC	MC	FIRST ISSUE	06/03/23	1
MOD	CHK	MODIFICATION	DATE	ISS

**Thomas Dudley Ltd.**  
P.O.Box 28, Birmingham New Road  
Dudley, West Midlands, DY1 4SN  
Telephone: 0121 530 7000  
www.thomasdudley.co.uk

This document and any design incorporated in it is the property of Thomas Dudley Ltd. It is strictly confidential and must be used only for the purpose for which it is supplied and expressly authorised. Reproduction, manufacture or communication to third parties, in whole or part without prior written authorisation is strictly prohibited and is an infringement of Thomas Dudley Ltd's copyright and/or design right. Other intellectual property rights may also subsist in any part of this document or design or invention incorporated within them. Please contact Thomas Dudley Ltd for further information.

**A1** LINEAR TOLERANCE: ISO8062-3:2007 TO CT-9 UNLESS SPECIFIED ON DRAWING  
DIMENSIONS IN mm DO NOT SCALE

DRAWN	CHECKED	SHEET
C CORBETT	M CRAMPORN	1 of 1
DATE	SCALE	
06/03/2023	1:5	

PROJECT  
**TD MANHOLE COVERS & FRAMES**  
DESCRIPTION  
**4-PART TRIANGULAR MC&F ASSEMBLY D400**  
**900 x 600 x 100**

DRG No.	ISSUE
13599	1