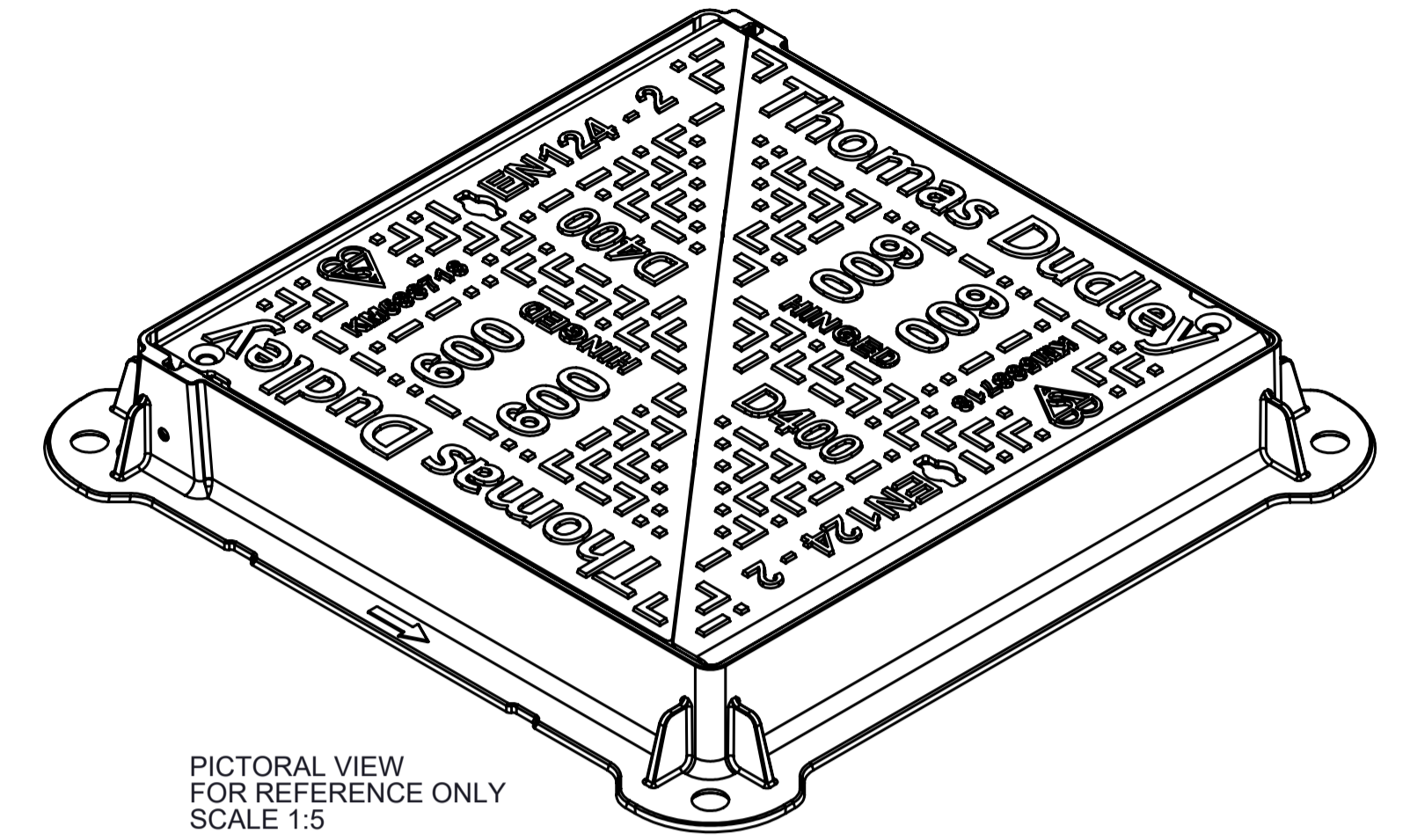
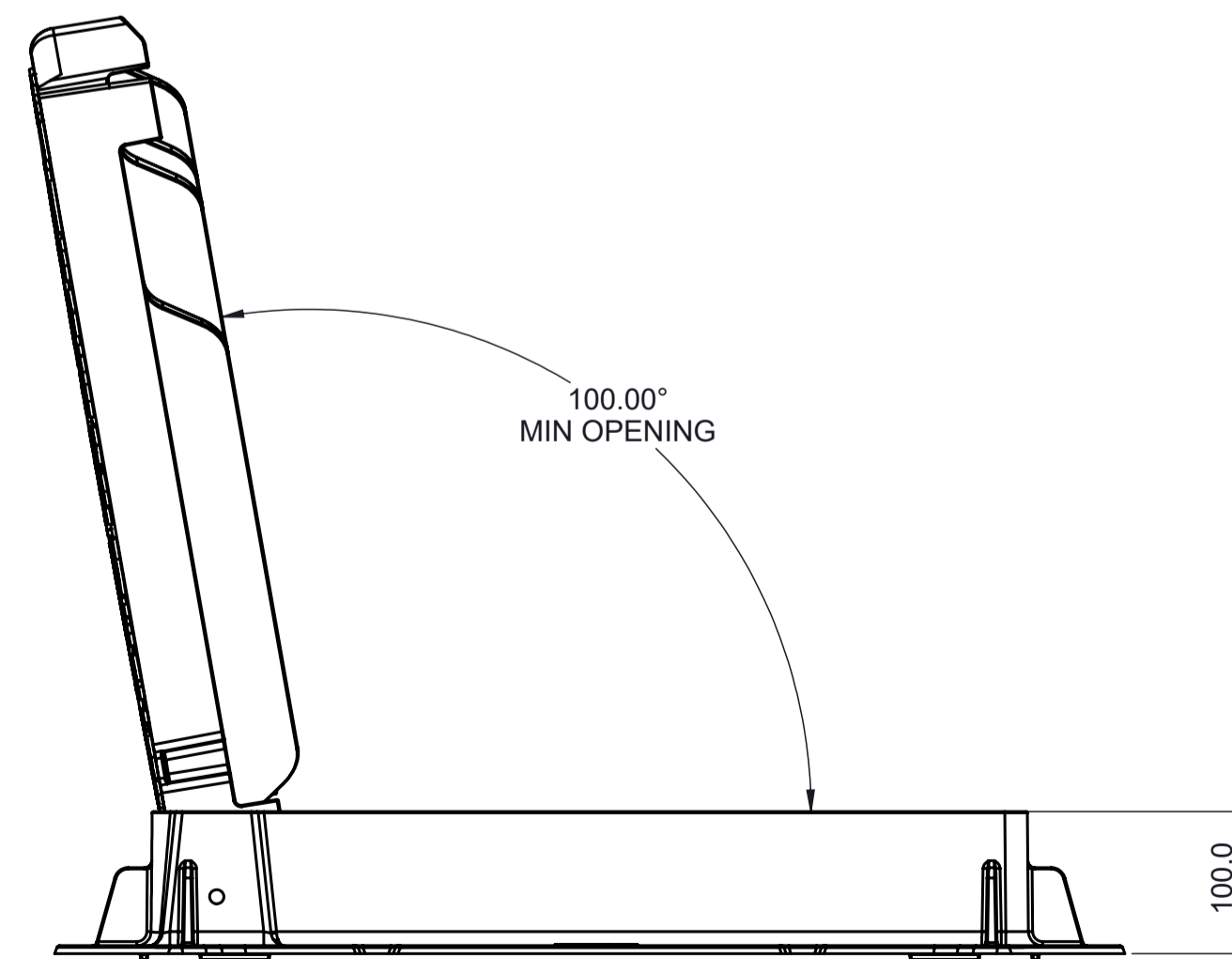
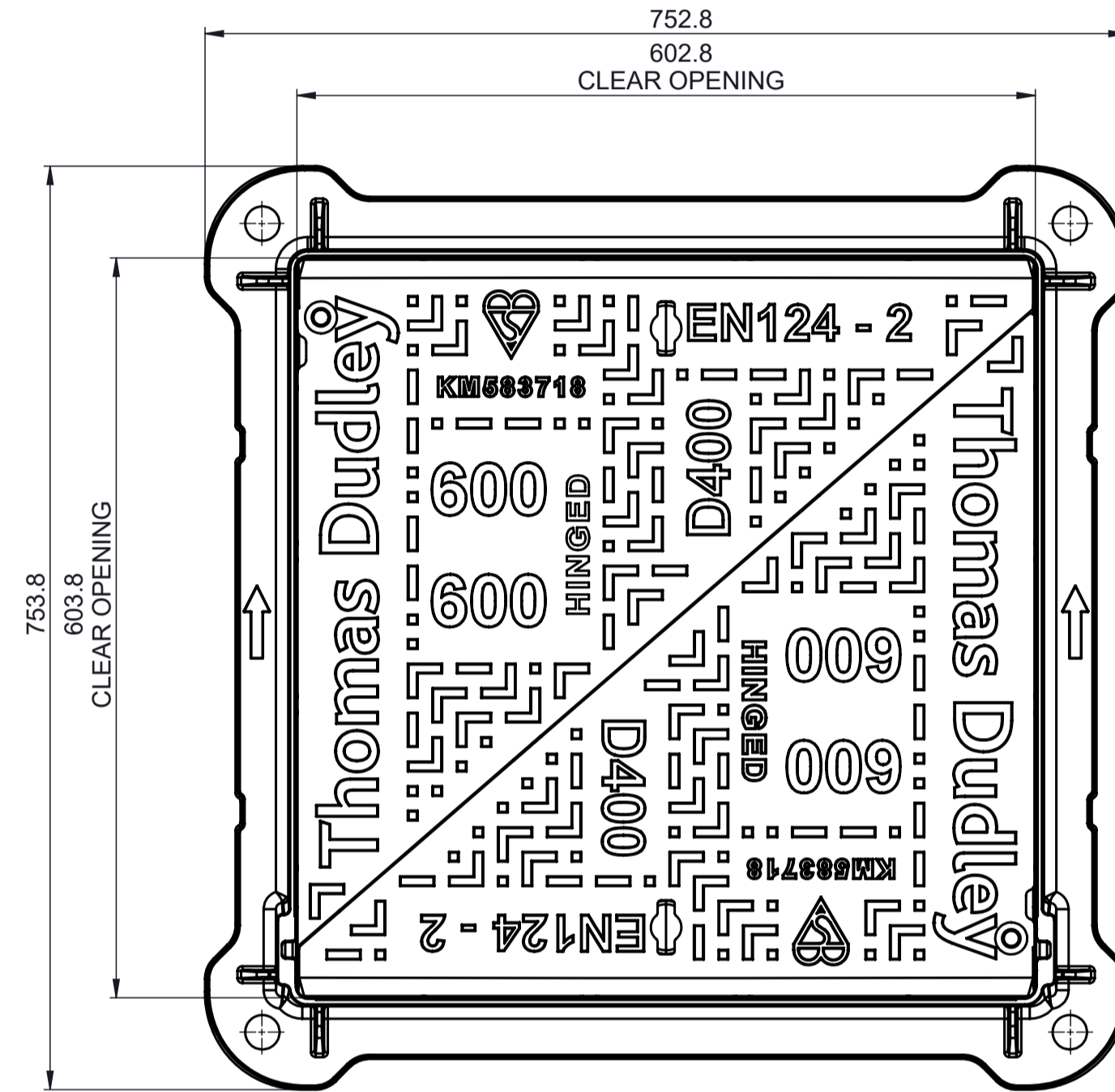
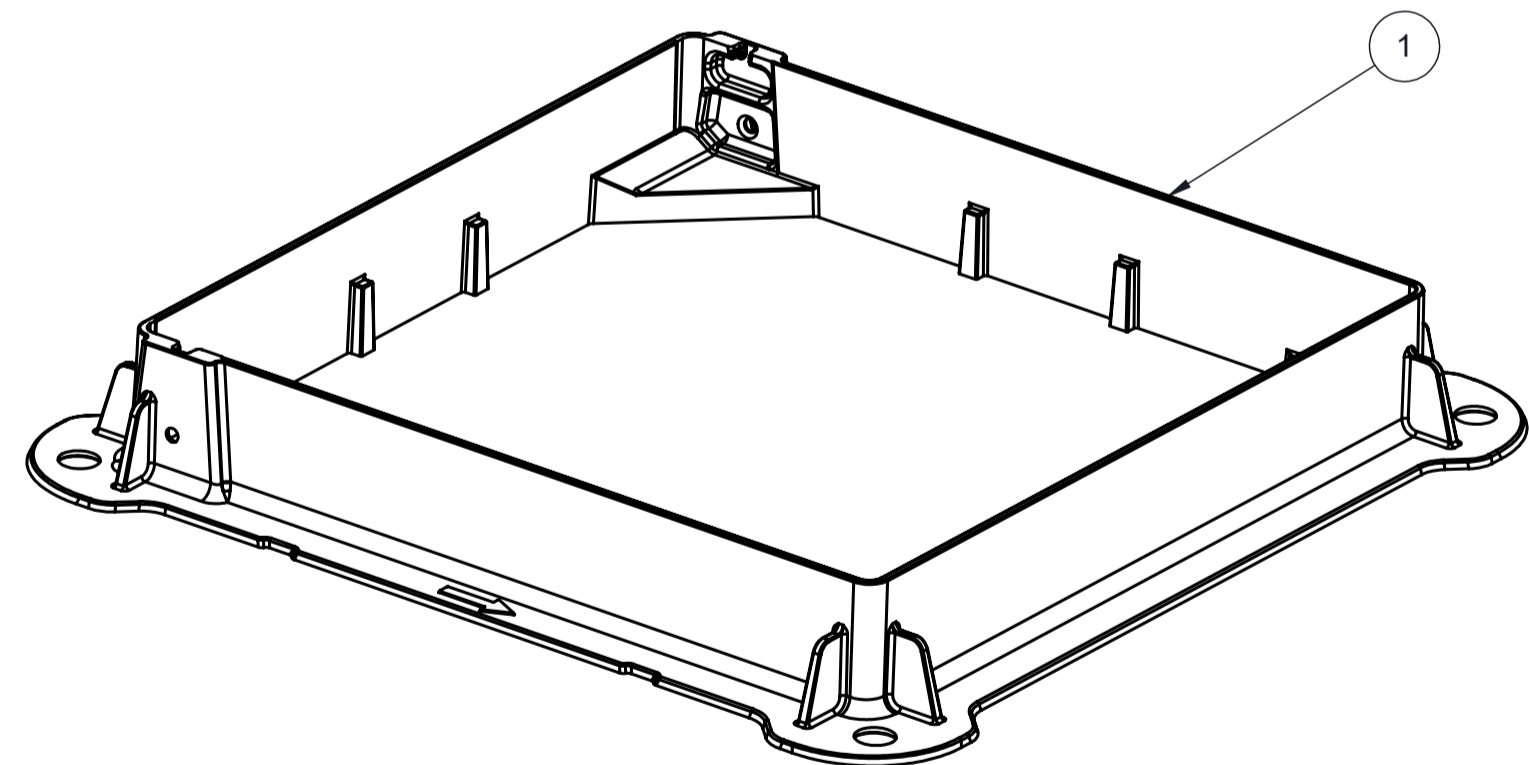
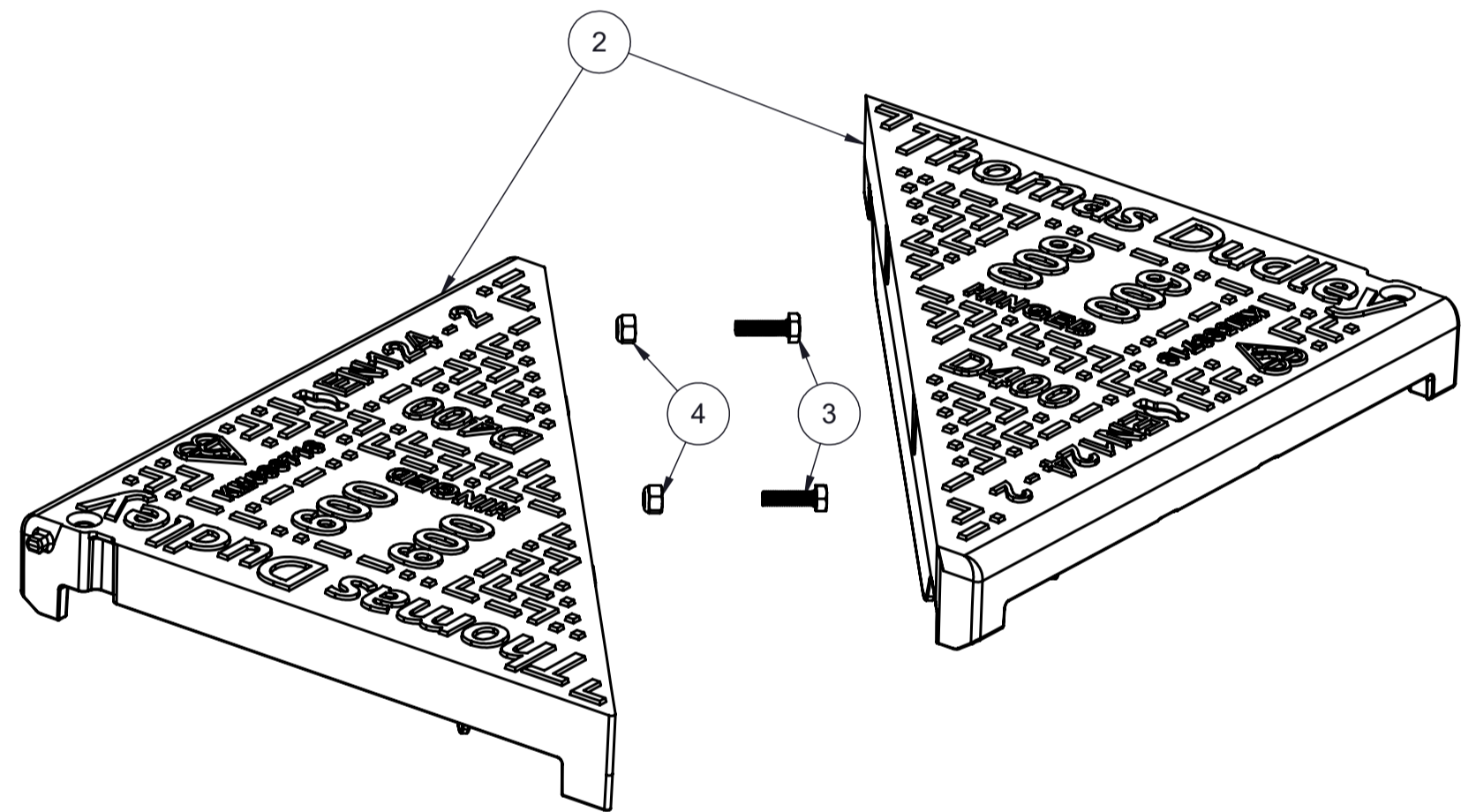


ITEM NO.	DRAWING NO.	TITLE	DESCRIPTION	QTY.
1	13619	MANHOLE FRAME D400	600 x 600 x 100	1
2	13618	MANHOLE COVER D400	600 x 600	2
3	N/A	HEX BOLT	M12 X 40	2
4	N/A	NYLOC HEX NUT	M12	2

NOTES:

1. DEPTH OF INSERTION 80MM
2. SOLID FLANGES
3. HINGED AS STANDARD



CDC	CL	PRODUCTION ISSUE	17/12/19	A
CL	CDC	RE-DESIGN	27/02/19	2
HM	CDC	FIRST ISSUE	09/02/17	1
MOD	CHK	MODIFICATION	DATE	ISS

**Thomas Dudley Ltd.**  
P.O.Box 28, Birmingham New Road  
Dudley, West Midlands, DY1 4SN  
Telephone: 0121 530 7000  
www.thomasdudley.co.uk

This document and any design incorporated in it is the property of Thomas Dudley Ltd.  
It is strictly confidential and must be used only for the purpose for which it is supplied and expressly authorised.  
Reproduction, manufacture or communication to third parties, in whole or part without prior written authorisation is strictly prohibited and is an infringement of Thomas Dudley Ltd's copyright and/or design right.  
Other intellectual property rights may also subsist in any part of this document or design or invention incorporated within them.  
Please contact Thomas Dudley Ltd for further information.

**A1** LINEAR TOLERANCE:  
ISO8062-3:2007 TO CT-9  
UNLESS SPECIFIED ON  
DRAWING

DRAWN	CHECKED	SHEET
H MISTRY	C CORBETT	1 of 1
DATE	DATE	SCALE
09/02/2017	09/02/2017	1:5

PROJECT  
**MANHOLE COVER & FRAME**  
DESCRIPTION

LIFT OUT MANHOLE COVER AND FRAME  
600x600x100 D400

DRG No.	ISSUE
13617	A

FSUCFC330823	REFER TO COMPONENT	REFER TO COMPONENT
PART No.	MATERIAL	APPLIED FINISH & COLOUR