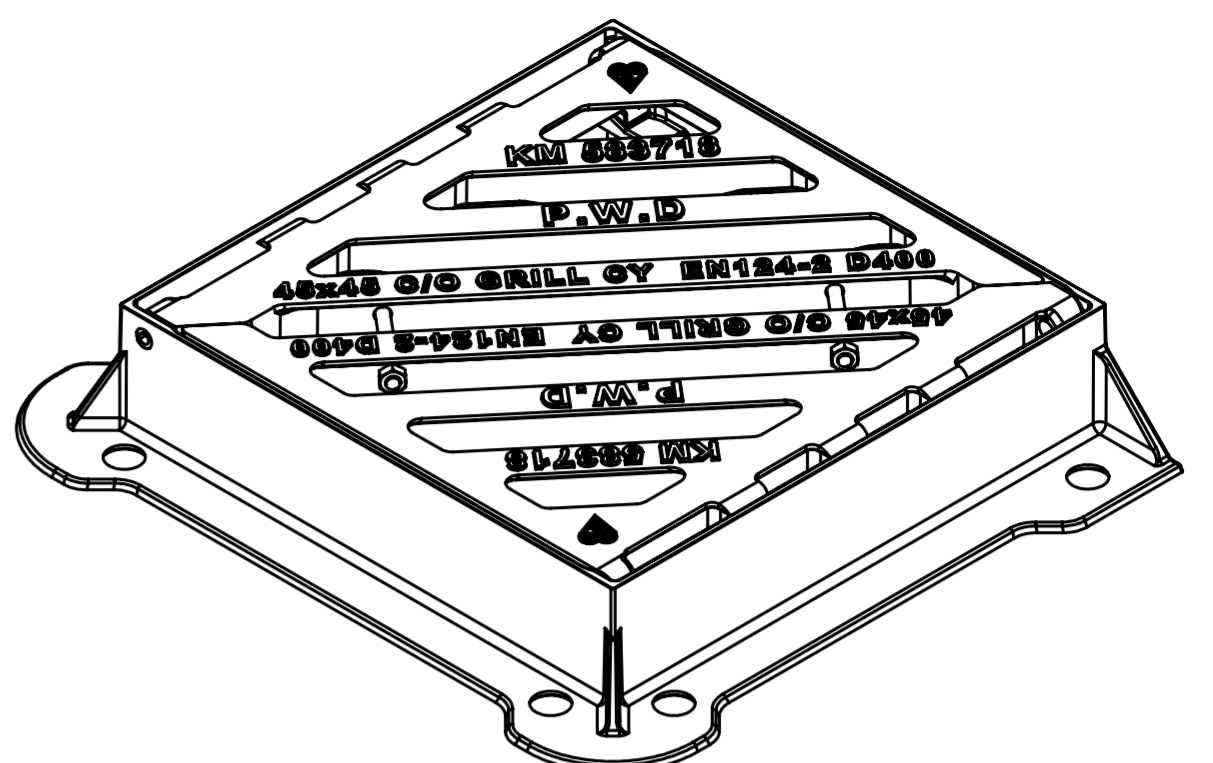
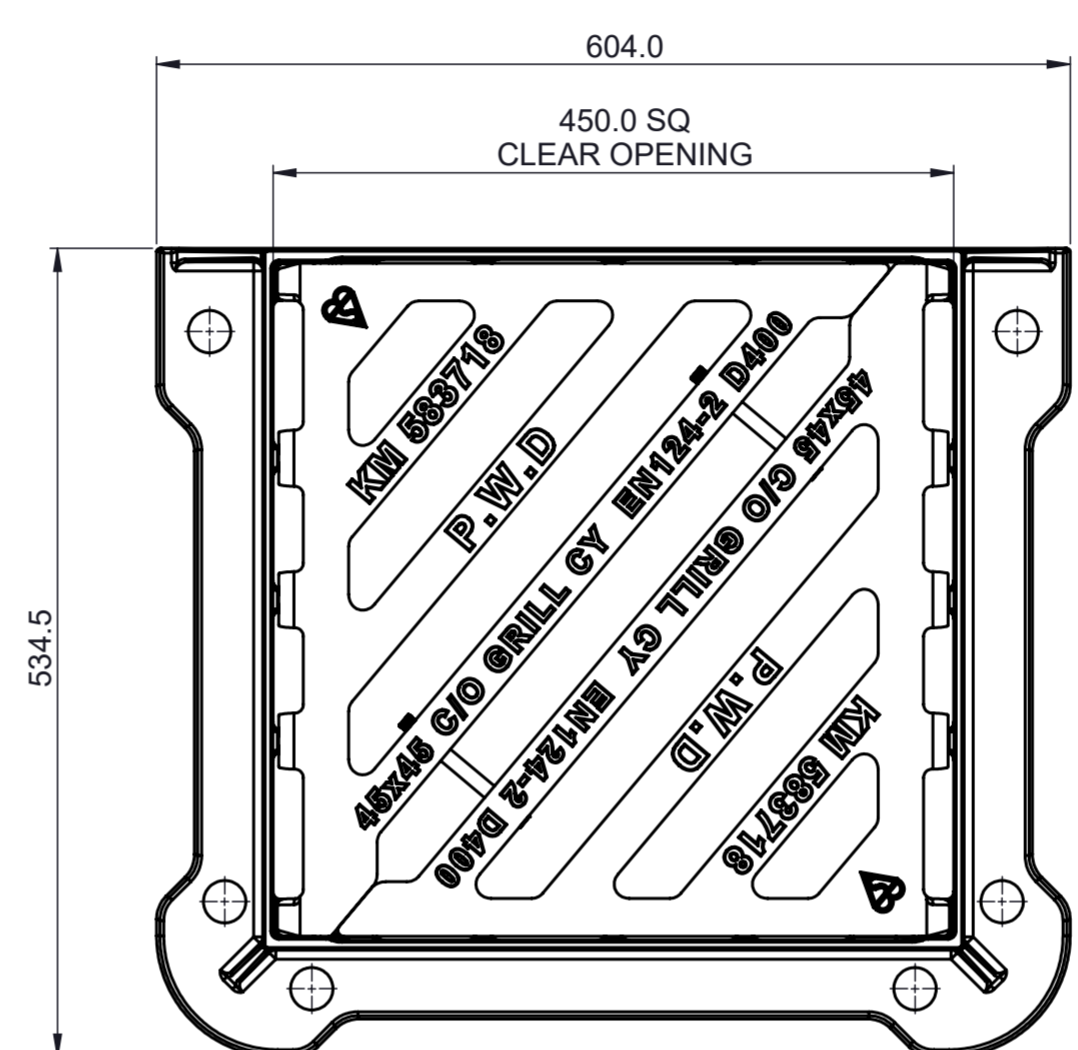
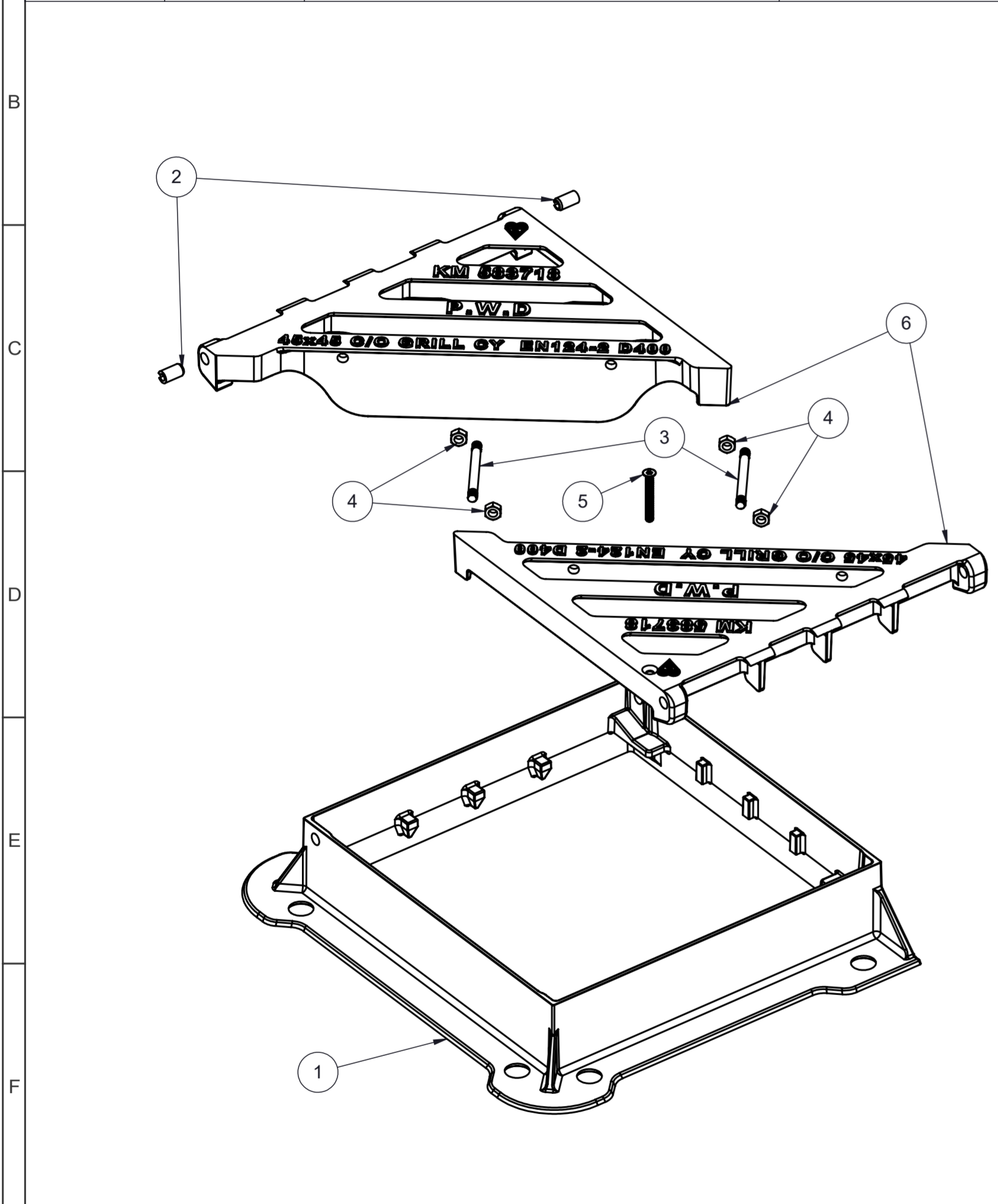
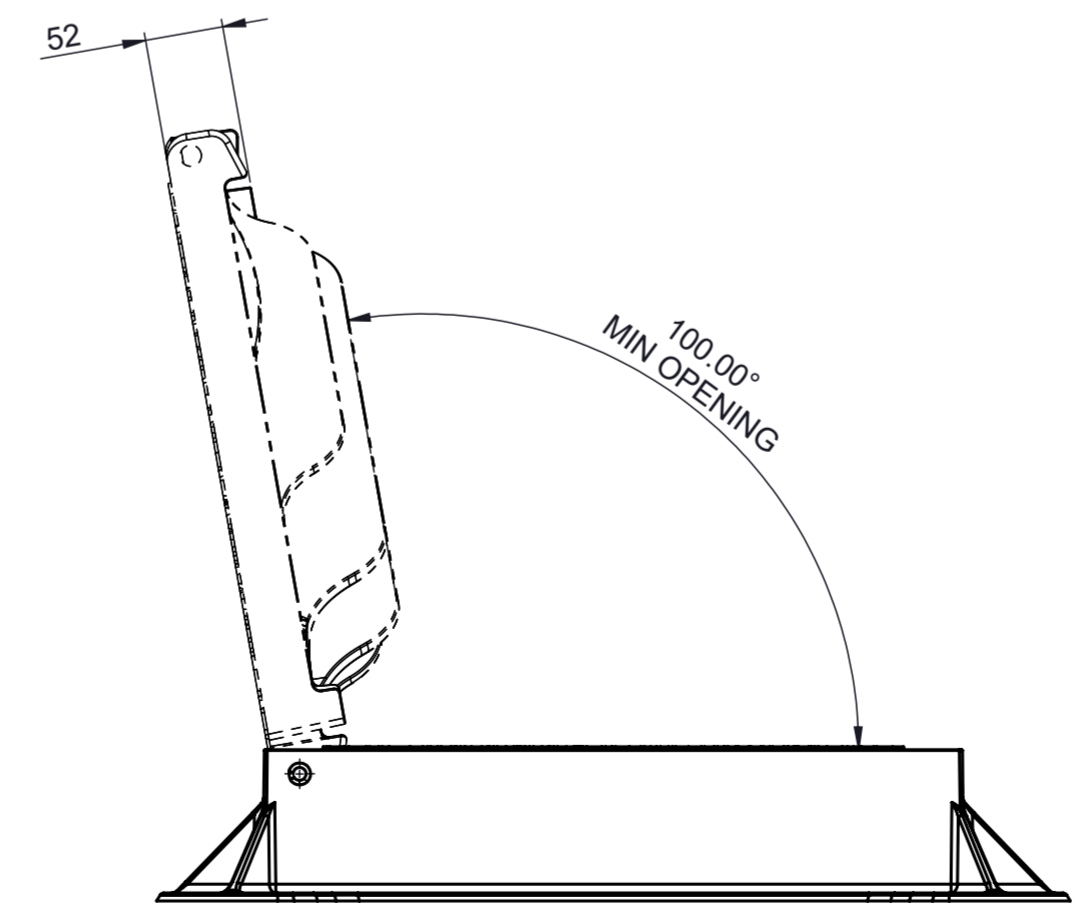


ITEM NO.	DRAWING NO.	DESCRIPTION	SIZE	P.W.D/UN-LOCKED	LOCKED
1	13846	FRAME DOUBLE TRIANGULAR D400	450 x 450 x 100	1	1
2	14073	TENSION PIN	Ø14 x 26mm	2	2
3	13333	THREADED ROD	M10 x 105mm	2	2
4	N/A	HEX NUT	M10	4	4
5		M8 BOLT	60mm LONG	-	1
6	13845	GRATE DOUBLE TRIANGULAR D400	450 x 450 PWD BADGED	2	2



PICTORAL VIEW FOR REFERENCE ONLY  
SCALE 1:5



- NOTES:
1. DEPTH OF INSERTION 52MM
  2. SOLID FLANGES
  3. HINGED AS STANDARD
  4. LOCKED OPTION AVAILABLE
  5. WATERWAY AREA - 900CM<sup>2</sup>

CC	MC	LOCKING OPTION ADDED	17/04/23	C
CDC	CL	WATERWAY AREA ADDED	08/03/19	B
HM	CDC	FIRST ISSUE	02/07/18	1
MOD	CHK	MODIFICATION	DATE	ISS

**TD Thomas Dudley Ltd.**  
P.O.Box 28, Birmingham New Road  
Dudley, West Midlands, DY1 4SN  
Telephone: 0121 530 7000  
www.thomasdudley.co.uk

This document and any design incorporated in it is the property of Thomas Dudley Ltd. It is strictly confidential and must used only for the purpose for which it is supplied and expressly authorised. Reproduction, manufacture or communication to third parties, in whole or part without prior written authorisation is strictly prohibited and is an infringement of Thomas Dudley Ltd's copyright and/or design right. Other intellectual property rights may also subsist in any part of this document or design or invention incorporated within them. Please contact Thomas Dudley Ltd for further information.

**A2** LINEAR TOLERANCE:  
ISO8062-3:2007 TO CT-9  
UNLESS SPECIFIED ON  
DRAWING  
DIMENSIONS IN mm  
DO NOT SCALE

DRAWN	CHECKED	SHEET
H MISTRY	H MISTRY	1 of 1
DATE	DATE	SCALE
02/07/2018	02/07/2018	1:5

PROJECT	UTILITY CASTINGS
DESCRIPTION	DOUBLE TRIANGULAR GRATE AND FRAME D400 450 x 450 x 100

DRG No.	ISSUE
13973	C

FDRDR333569	REFER TO COMPONENT	REFER TO COMPONENT
PART No.	MATERIAL	APPLIED FINISH & COLOUR