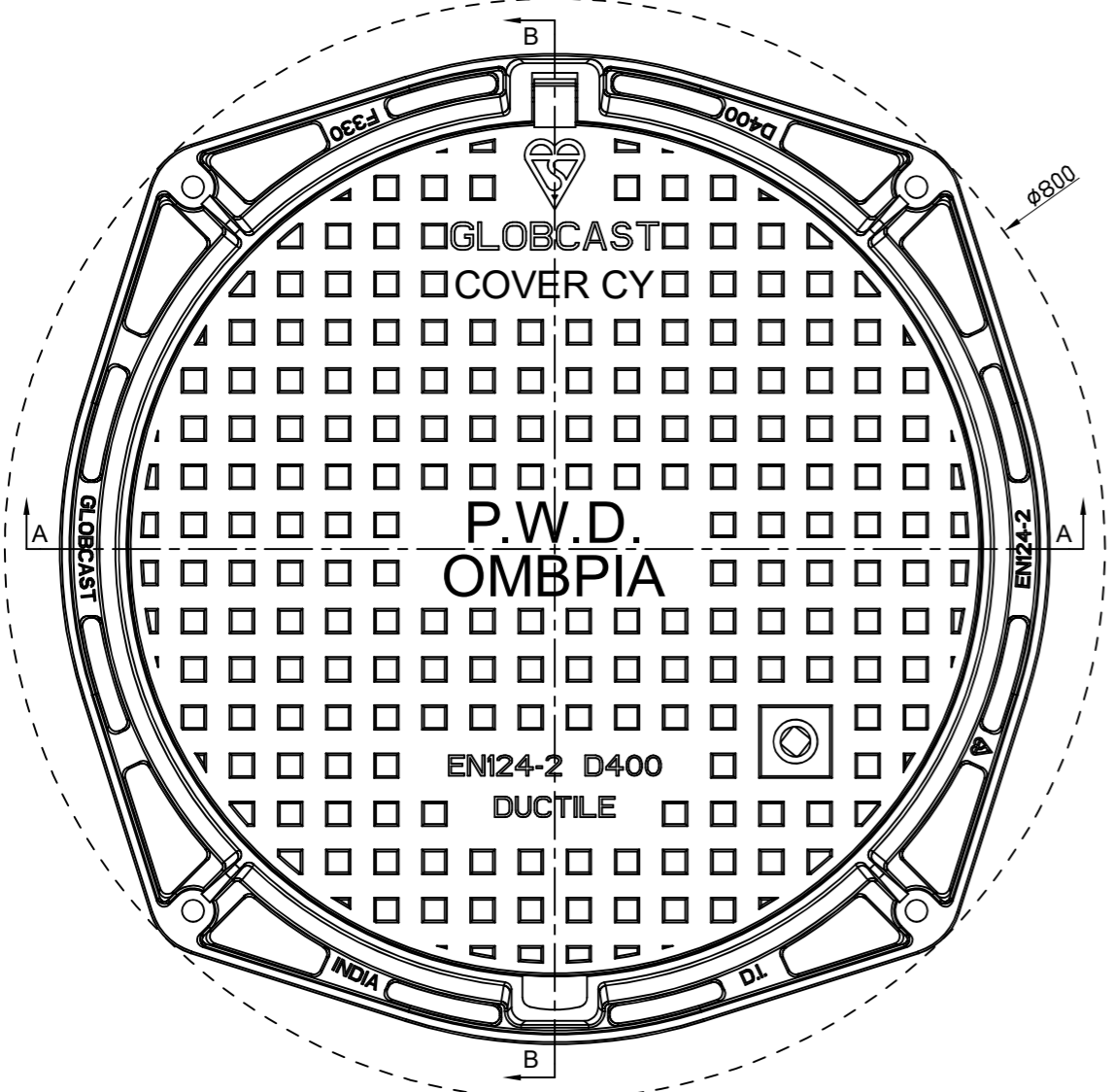
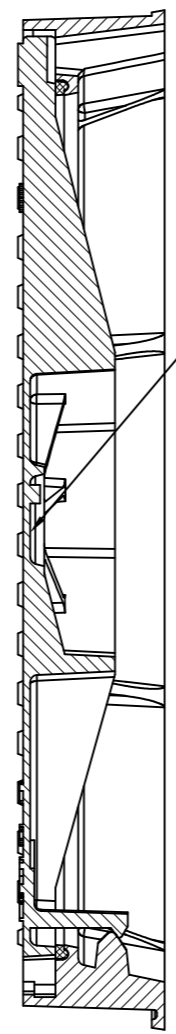


3RD ANGLE PROJECTIONS

REV. NO.	REVISION NOTE	DATE	CKD. BY	APPD. BY
2	EN124 STANDARD UPGRADATION FROM 1994 TO 2015	06.09.2018		

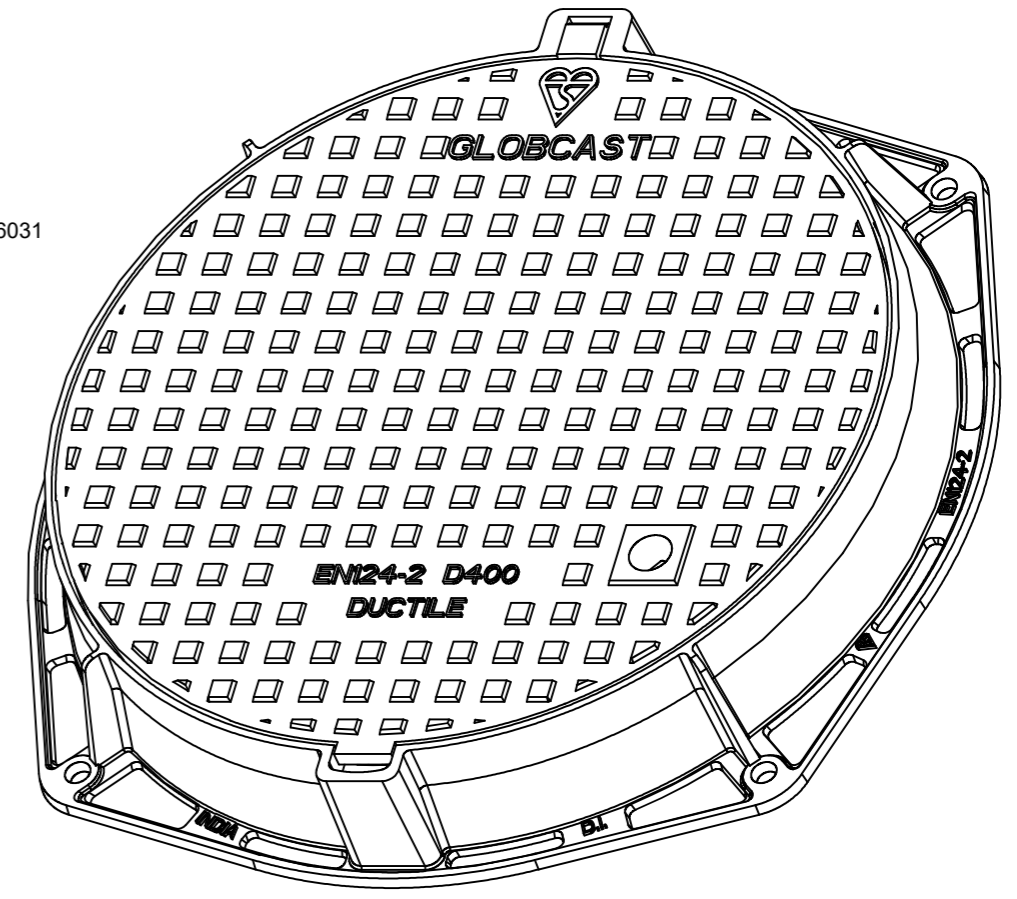


TOP VIEW

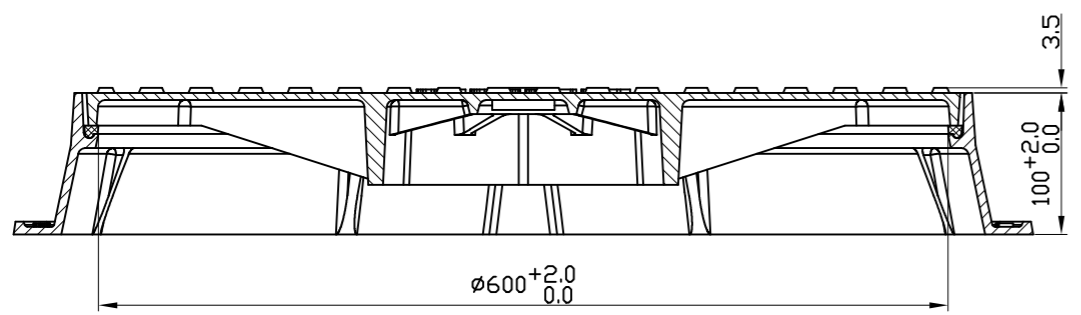


SECTION B-B

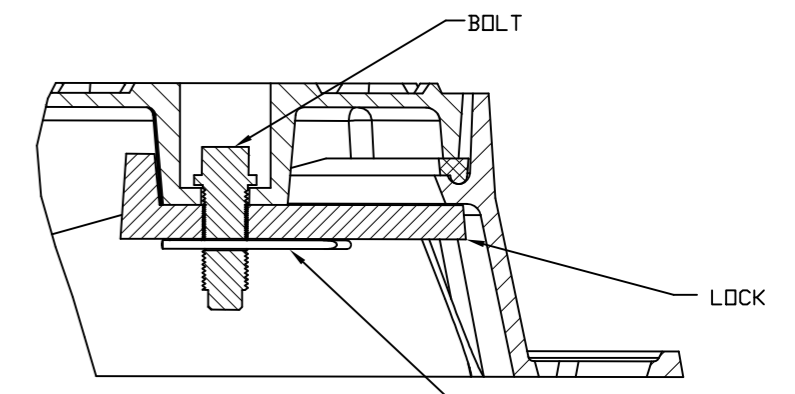
KOL. INDIA
C330CCYPO, HEAT CODE, KM596031
MARKING BACK SIDE IN COVER



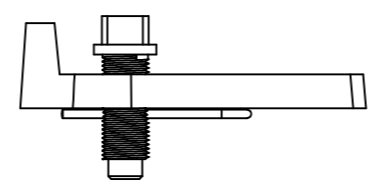
ISOMETRIC VIEW



SECTION A-A



LOCKING ARRANGEMENT



LOCK ASSEMBLY

NOTE:-
*GCPL-330-C "C" MEANS MARKING
"COVER CY, PWD, OMBPIA" IN ENG.

THE INFORMATION TRANSMITTED BY THE PROPRIETY AND CONFIDENTIAL PROPERTY OF GLOBAL CASTINGS PVT. LTD. AND MAY NOT BE DUPLICATED, DISCLOSED, OR UTILIZED WITHOUT WRITTEN CONSENT FROM GLOBAL CASTINGS PVT. LTD., IF ANY DOUBT IN THIS DRAWING PLEASE ASK TO DESIGN DEPT.

	DRAWN BY	CKD. BY	APPD. BY	DRG./ PART NO.	
NAME				GCPL-330-C*	
DATE				DRG./ PART DESCRIPTION	
SIGN				600 DIA D400 HINGE TYPE SELF LOCK FRAME & COVER MARKING COVER CY, PWD, OMBPIA IN ENG.	
TEST LOAD: 400 KN		MATERIAL .- ISO 1083:2004 500/7			
SPECIFICATION: EN124-2:2015 D400			 GLOBAL CASTINGS PVT. LTD. 1, SARDAR SANKAR ROAD, KOLKATA-700 026, WEST BENGAL, INDIA PHONE: 91-33-24635020, FAX: 91-33-24635030		
SCALE: NTS SHEET: 1 of 1					
ALL DIMENSIONS ARE IN MM					