

Technodrain

ASOPLAST TECHNODRAIN

TCEL200HVD18GS - Channel EXEL 200HV D400

HD-PE linear drainage channel, complete with galvanized frame and ductile iron grating D400 (18 mm slot)

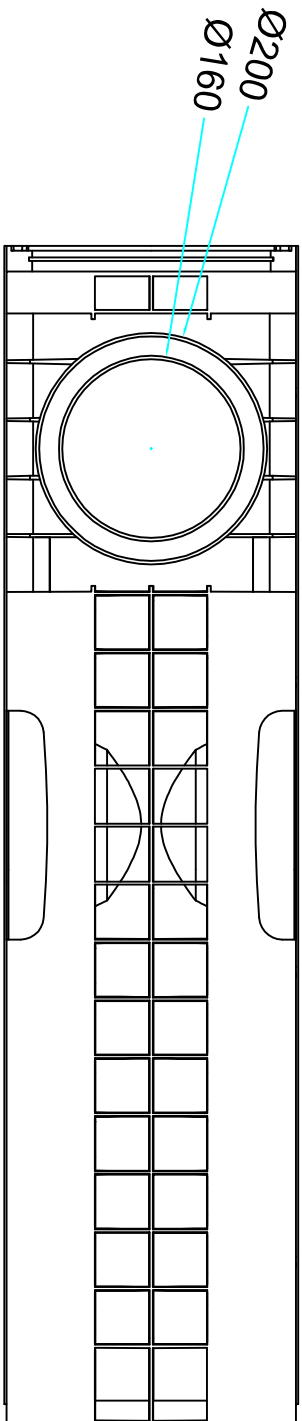
TECHNICAL DATA CHANNEL EXEL 200HV (EN 1433, TYPE M)

Lenght (mm):	1.000
External width (mm):	258
Internal width (mm):	200
External high (mm):	310
Internal high (mm):	250
Frame thickness (mm):	4
Drainage section (cm ²):	454,70
Volume (dm ³):	45,47
Side outlets	2 x DN 160, 2 x DN 200
Vertical outlets	1 x DN 160, 1 x DN 200
Groove and tongue joint with security clip	

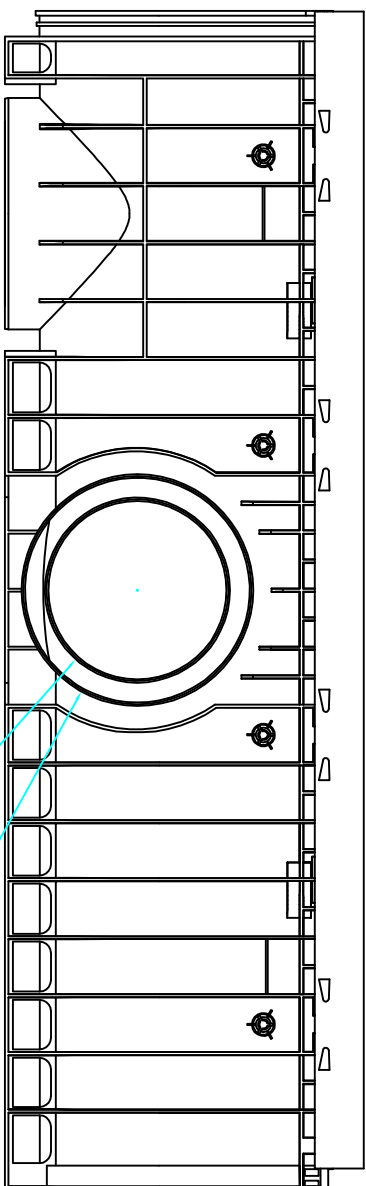
TECHNICAL DATA DUCTILE IRON GRATIN SLOT 18 mm, EP 200 D400

Lenght (mm):	500
External width (mm):	245
High (mm):	25
Total height (mm):	37
Slot opening size (mm)	190x18
Drainage open area per linear meter (cm ²):	804
Lock system to the channels with no. 8 bolts M8	
Loading class D400 (EN 1433)	

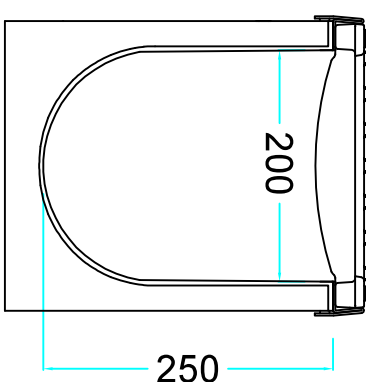
Total weight (channel + frame + gratings) Kg 26,10



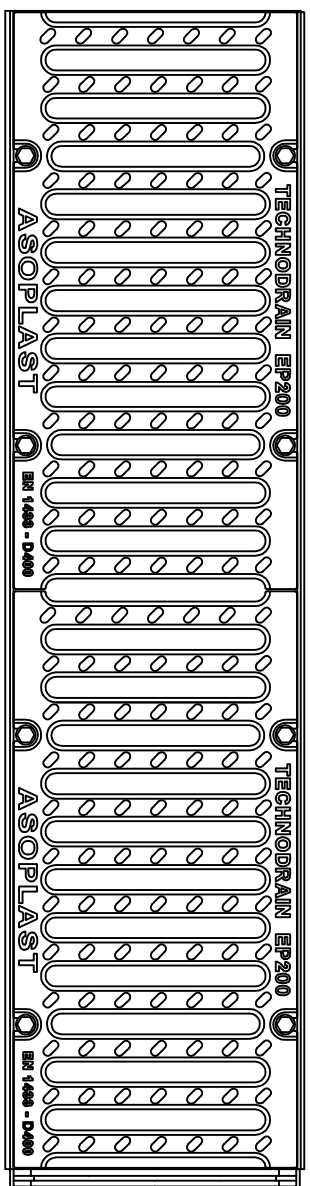
1000



310



250



258

TCCEL200HVD18GS - EXEL 200HV + DUCTILE IRON GRATING D400 18 mm slot

