



ACCESS COVERS & FRAMES

Class B125  
EN124 : 1994  
EN GJS 500-7 Iron  
ISO 1083 / EN1563

REVO 600 B NF

SQUARE SINGLE SEAL / HC RANGE



DESIGN FEATURES :

- **Material(s) :**
  - ☞ SG Iron to ISO 1083 / EN1563, Grade 500-7.
- **Design load :**
  - ☞ 125 kN to EN 124.
- **Installation area :**
  - Group 2 - Footways, pedestrians areas and comparable areas, car parks or car parking decks, and lower groups.
- **Coating :**
  - Non toxic waterbased black paint.
- **Product Certification :**
  - NF Mark
  - This quality mark certifies conformity to the 'NF' regulation 110 and other additional features as highlighted (☞) by the authorising body AFNOR CERTIFICATION, 11, rue Francis de Pressensé F-93571 LA PLAINE SAINT DENIS CEDEX

SPECIAL FEATURES :

- **Cover :** 20.7 Kg
- **Product total :** 26,2 kg.
- **Surface finish :**
  - Cover: Anti-slip surface with 4L patented design.
- **Frame type :**
  - ☞ single seal ≥ 6mm. Odour resistant.
  - square monoblock frame as cast.
- **Frame bearing pressure :**
  - ☞  $p \leq 7.5 \text{ N/mm}^2$ .

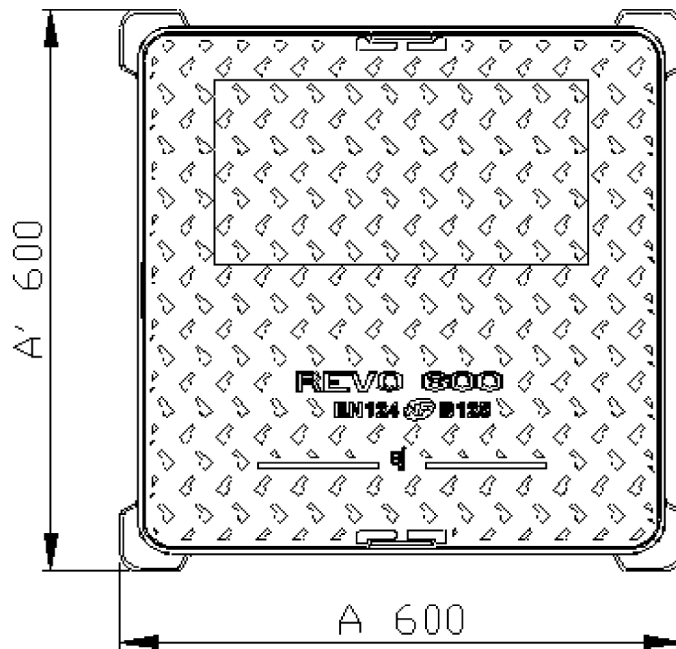
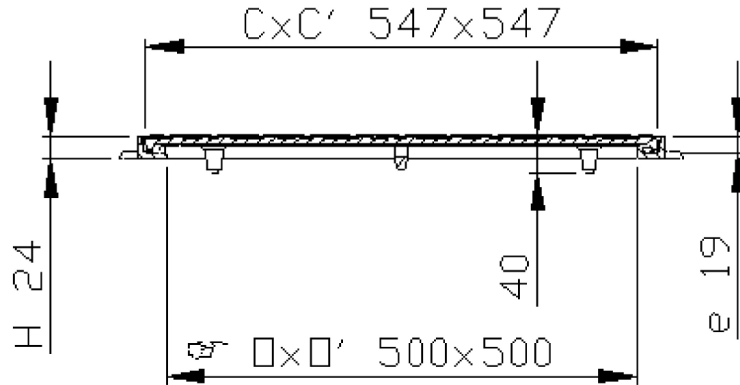
HANDLING :

The cover is provided with 2 symmetrically opposing holes to allow removal by means of a hook, pick or screwdriver.

The unit can be closed by sliding the cover on the frame.

OPTION(S) :

Badging : others badgings please enquire



- (☞) Certified characteristics.
- Weights (kg), dimensions (mm) and drawings provided for your guidance.
- We reserve the right to modify specifications without prior notice.
- Uncontrolled distribution.

CONFIDENTIAL  
Property of EJ EMEA  
Not to be used without permission.

EJ  
ZI De Marivaux | Saint-Crépin Ibouvillers |  
BP50409 | 60544 Méru Cedex | France

Quality System ISO 9001 - ISO 14001 - OHSAS 18001

ejco.com

Data sheet :  
FT\_546206

Date updated :  
06.01.2015

Printed : 08.01.2015