



ACCESS COVERS & FRAMES

**Class D400
EN124 : 1994**

TRUCK300 EN124 D400 NF

**EN GJS 500-7 Iron
ISO 1083 / EN1563**

TRUCK RANGE



DESIGN FEATURES :

- **Material(s) :**
☞ SG Iron to ISO 1083 / EN1563, Grade 500-7.
- **Design load :**
☞ 400 kN to EN 124. Group 4 installation area - carriageway of roads (including pedestrian streets), hard shoulders and parking areas, for all types of roads vehicles (and lower groups).
- **Coating :**
Non toxic waterbased black paint.
- **Product Certification :**
NF Mark
This quality mark certifies conformity to the 'NF' regulation 110 and other additional features as highlighted (☞) by the authorising body AFNOR CERTIFICATION, 11, rue Francis de Pressensé F-93571 LA PLAINE SAINT DENIS CEDEX

SPECIAL FEATURES :

- **Mass :**
Cover : 14.8 Kg
Product total : 26,22 kg.
- **Surface finish :**
Cover: Anti-slip surface with 4L patented design.
- **Frame type :**
square monoblock frame as cast.
☞ Depth : 76 mm
☞ Depth of insertion : e = 74 mm.
- **Securing of cover/grating within frame :**
☞ cover secured to the frame by the means of lugs.
- **Frame bearing pressure :**
☞ $p \leq 7.5 \text{ N/mm}^2$.
- **Seatings ensure non-rock stability and silence :**
Polyethylene cushioning insert fixed to the frame.

HANDLING :

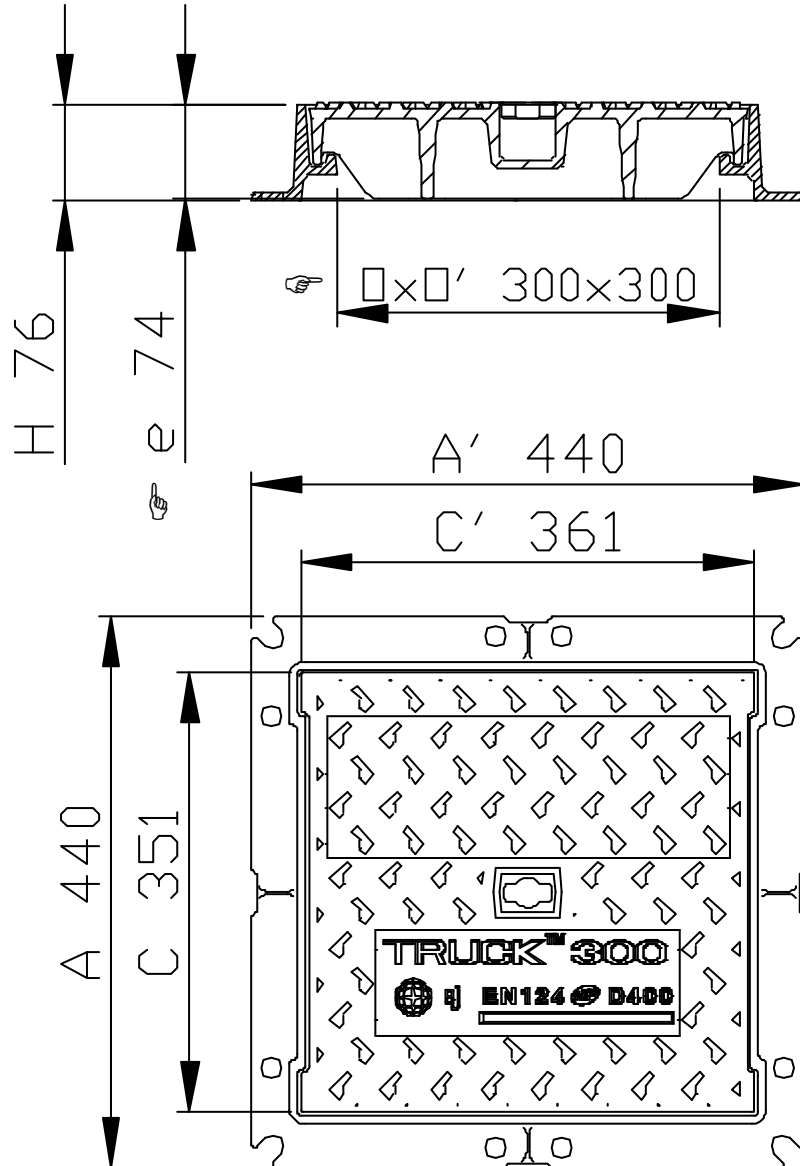
Closed BS keyway.
Handle with BA1 heavy duty lifting key. (item code : 511793)

CIVIL ENGINEERING :

The frame base is designed to ensure secure seating.
The external geometry of the frame facilitates finishes such as paving or tiling.
The frame can be anchored with 4 x ϕ 16 mm pins as necessary.

OPTION(S) :

- Badging : Please enquire.
Badging space depending on size of cover.



- (☞) Certified characteristics.
- Weights (kg), dimensions (mm) and drawings provided for your guidance.
- We reserve the right to modify specifications without prior notice.
- Uncontrolled distribution.

CONFIDENTIAL
Property of EJ EMEA
Not to be used without permission.

EJ
ZI De Marivaux | Saint-Crépin Ibouvillers |
BP50409 | 60544 Méru Cedex | France

Quality System ISO 9001 - ISO 14001 - OHSAS 18001

ejco.com

Data sheet :
FT_524628
Date updated :
03.01.2014
Printed : 27.03.2014