

### Technical Requirement

1. The castings will be well finished without any visible defects, such as shrinkage cavities, underfill, cracks, cold shuts and etc;
2. Without the marking of the curving of castings R3 and pattern draft (draft angle) 2°;
3. The casting inspection will be complied with the EN1433 standard;

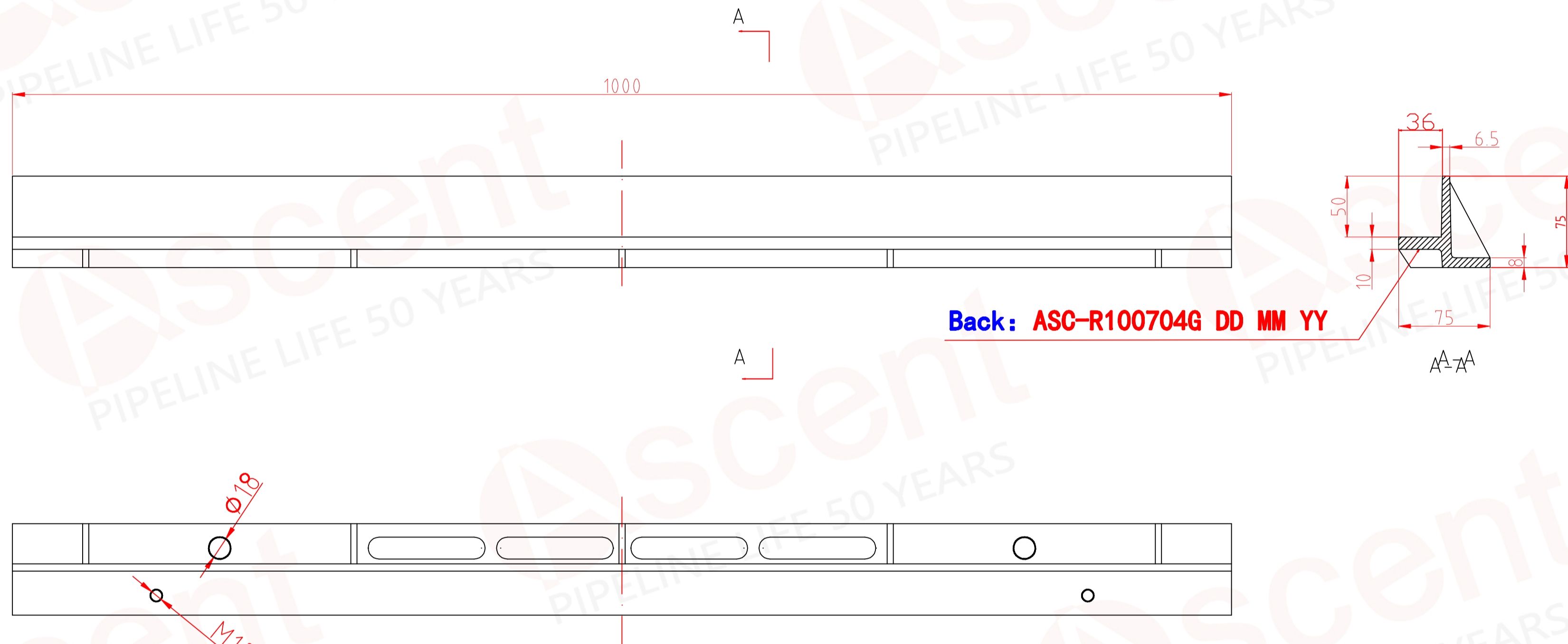
DWG NO:	ASC-R1000704G-1	
LOADING:	D400	
DESCRIPTION:	GRATING SIZE:	1000X770X90X50
	BARS SIZE:	1000X75X75X50
MATERIAL:	EN-GJS-500-7	
THIS DRAWING IS THE PROPERTY OF SHANXI ASCENT INDUSTRIAL CO.,LTD, AND CAN NOT BE COPIED OR DUPLICATED WITHOUT PRIOR WRITTEN PERMISSION, ONCE THIS DRAWING BE USED OTHER PLACE, WILL HAVE LAW RESPONSIBILITY		
DATE:	22-03-2023	

### Shanxi Ascent Industrial Co.,Ltd


**Ascent**  
 PIPELINE LIFE 50 YEARS

ADDRESS: Floor 8, Tianjia Building, Xiaodian District, Taiyuan, Shanxi  
 Tel: +86-351-7922077 Fax: +86-351-7921035  
 Mobile: +86 13834557191 E-mail: info@ascentcn.com  
 www.ascentcn.com

ISO  
 KITEMARK  
 ICMQ



Back: ASC-R100704G DD MM YY

### Technical Requirement

- 1.The castings will be well finished without any visible defects, such as shrinkage cavities,underfill,cracks,cold shuts and etc;
- 2.Without the marking of the curving of castings R3 and pattern draft(draft angle) 2°;
- 3.The casting inspection will be complied with the EN1433 standard;

DWG NO:	ASC-R100704G-2	
LOADING:	D400	
DESCRIPTION:	GRATING SIZE:	1000X770X90X50
	BARS SIZE:	1000X75X75X50
MATERIAL:	EN-GJS-500-7	
THIS DRAWING IS THE PROPERTY OF SHANXI ASCENT INDUSTRIAL CO.,LTD, AND CAN NOT BE COPIED OR DUPLICATED WITHOUT PRIOR WRITTEN PERMISSION, ONCE THIS DRAWING BE USED OTHER PLACE, WILL HAVE LAW RESPONSIBILITY		
DATE:	22-03-2023	

**Shanxi Ascent Industrial Co.,Ltd**



ADDRESS: Floor 8, Tianjia Building, Xiaodian District, Taiyuan, Shanxi  
 Tel: +86-351-7922077 Fax: +86-351-7921035  
 Mobile: +86 13834557191 E-mail: info@ascentcn.com  
 www.ascentcn.com

ISO  
KITEMARK  
ICMQ