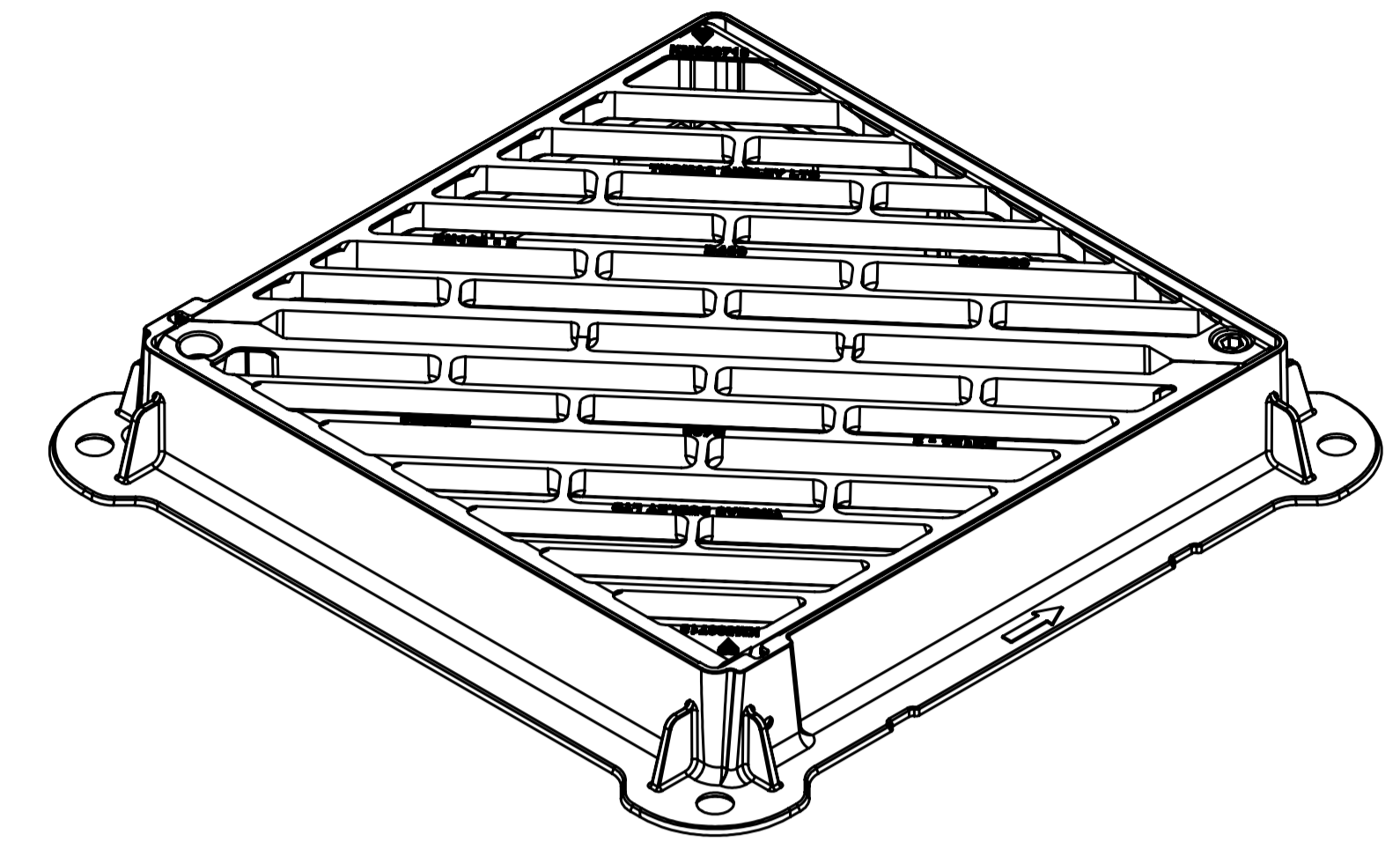
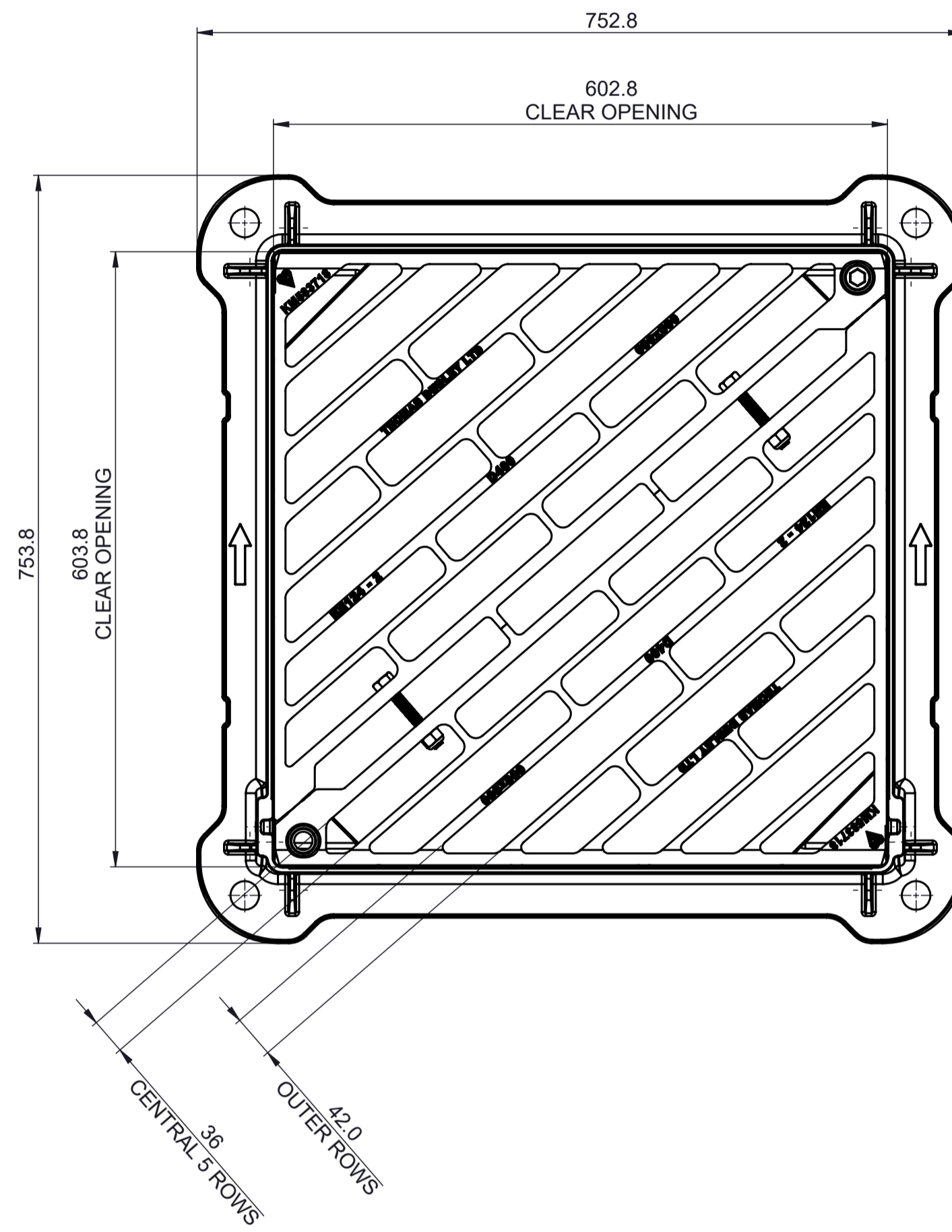
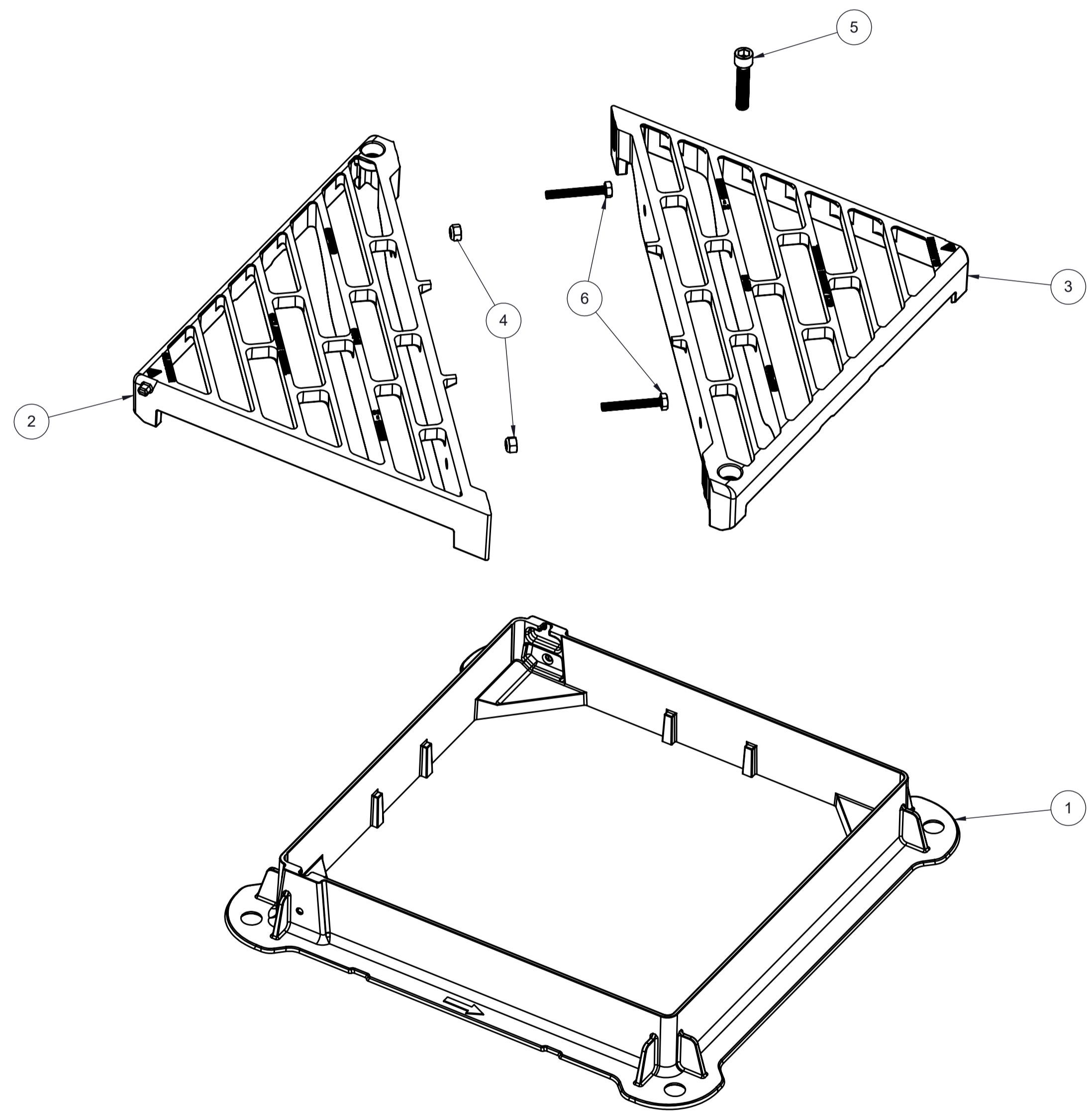
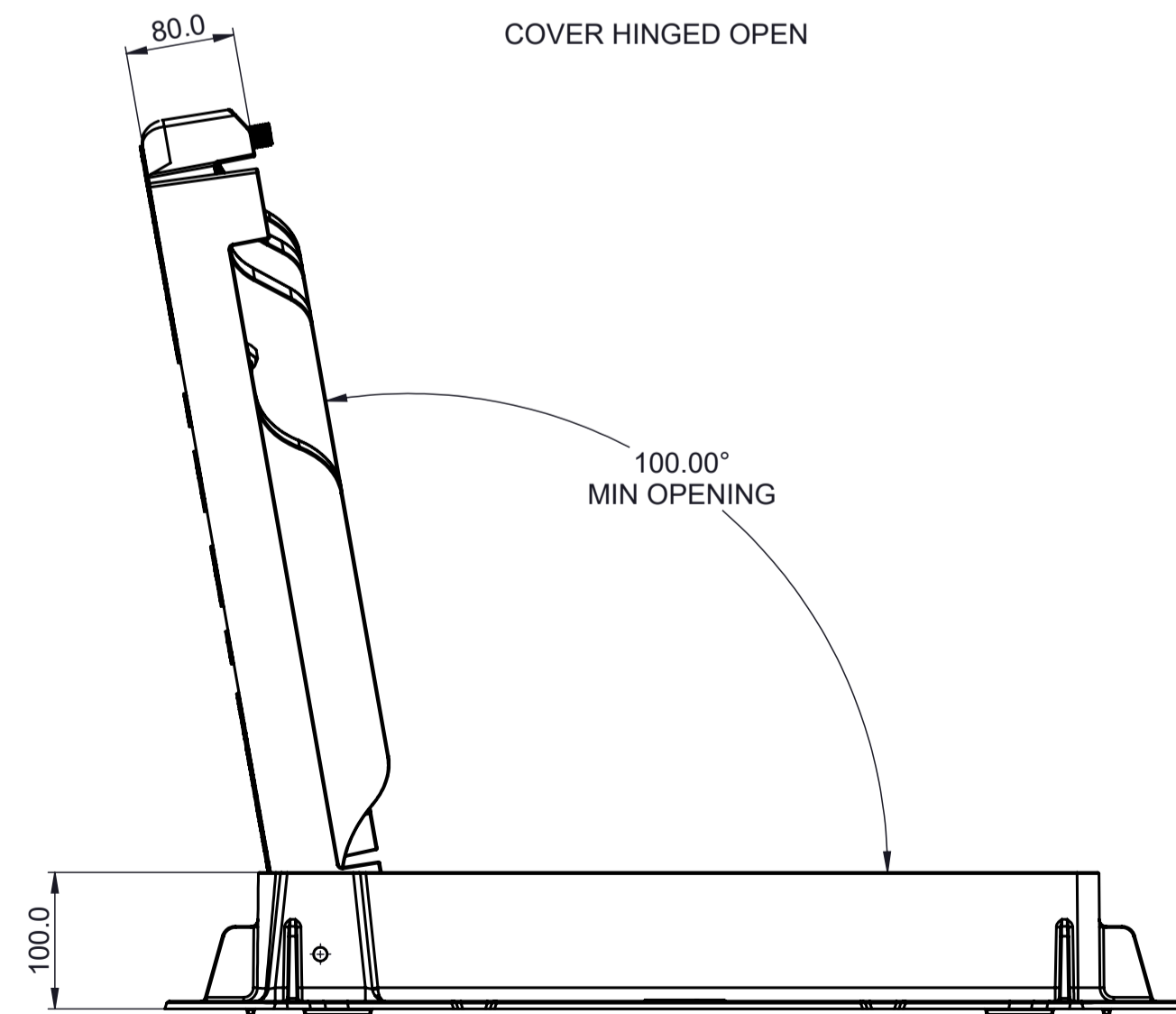


ITEM NO.	DRAWING No.	DESCRIPTION	SIZE	LOCKED
1	13619	MANHOLE FRAME D400	600 x 600 x 100	1
2	13759	GRATE LIFT OUT HINGE D400	600 x 600	1
3	13759	GRATE LIFT OUT HINGE D400	1200 x 600	1
4	N/A	NYLOC HEX NUT	M12	2
5	N/A	ALLEN BOLT	M16 x 75	1
6	13549	HEX BOLT	M12 X 40	2

NOTES:
 1. DEPTH OF INSERTION 80MM
 2. SOLID FLANGES
 3. HINGED AS STANDARD
 4. WATERWAY AREA - 2500cm²



PICTORAL VIEW
FOR REFERENCE ONLY
SCALE 1:5



CDC	CL	WATERWAY AREA ADDED	13/03/19	A
CDC	HM	LOCKING VERSION ADDED	25/01/19	2
HM	CDC	FIRST ISSUE	01/03/18	1
MOD	CHK	MODIFICATION	DATE	ISS

Thomas Dudley Ltd.
 P.O.Box 28, Birmingham New Road
 Dudley, West Midlands, DY1 4SN
 Telephone: 0121 530 7000
 www.thomasdudley.co.uk

This document and any design incorporated in it is the property of Thomas Dudley Ltd. It is strictly confidential and must be used only for the purpose for which it is supplied and expressly authorised. Reproduction, manufacture or communication to third parties, in whole or part without prior written authorisation is strictly prohibited and is an infringement of Thomas Dudley Ltd's copyright and/or design right. Other intellectual property rights may also subsist in any part of this document or design or invention incorporated within them. Please contact Thomas Dudley Ltd for further information.

A1 DIMENSIONS IN mm DO NOT SCALE
 LINEAR TOLERANCE: ISO8062-3:2007 TO CT-9 UNLESS SPECIFIED ON DRAWING

DRAWN	CHECKED	SHEET
H MISTRY	C CORBETT	1 of 1
DATE	DATE	SCALE
01/03/2018	01/03/2018	1:5
PROJECT		
UTILITY CASTINGS		
DESCRIPTION		
GRATE & FRAME 2500CM WATERWAY D400 600x600x100		

DRG No.	ISSUE
13758	C