



GULLY GRATING AND FRAME

**Class D400
EN124 : 1994**

**CA1050DVL GRIL CAN VER
NF
CHANNEL GRATING**

**EN GJS 500-7 Iron
ISO 1083 / EN1563**

DESIGN FEATURES :

- **Material(s) :**
 - ☞ SG Iron to ISO 1083 / EN1563, Grade 500-7.
- **Design load :**
 - ☞ 400 kN to EN 124 : 1994
- Installation area :
designed for gully tops located in motorways and road, low carriage way as exchangers, crossroads, rest areas, car parking place...
- **Coating :**
Non toxic waterbased black paint.
- **Product Certification :**
NF Mark
This quality mark certifies conformity to the 'NF' regulation 110 and other additional features as highlighted (☞) by the authorising body AFNOR CERTIFICATION,
11, rue Francis de Pressensé
F-93571 LA PLAINE SAINT DENIS CEDEX

SPECIAL FEATURES :

- **Remark(s) :**
Set of gratings bolted down to frame bars which can not be used separately
- **Frame bearing pressure :**
 - ☞ $p \leq 7.5 \text{ N/mm}^2$.
- **Mass :**
Grating : 59 kg.
Product total : 87 kg.
- **Surface finish :**
 - ☞ Depth of insertion : $e = 36 \text{ mm}$.
- Raised anti-skid pattern improves drainage.
Bars special design provides maximum water drainage
☞ Waterway $\geq 30\%$: 1871 cm^2 .
- **Grating type :**
Rectangular : $500 \times 1000 \text{ mm}$.
Selflocking anti-vandal grating : Spring front/rear bars allow to lock individual gratings into a continuous run.
- **Securing of cover/grating within frame :**
 - ☞ Grating bolted down to frame bars by means of 2 HM 12x45 screws + brake washer and M12 captive square nut
- **Frame type :**
Frame bars and gratings seatings incorporate a special feature designed to secure the grating within the frame bars lengthwise and sideways
☞ Depth of frame bars : 100 mm

OPTION(S) :

Pair of iron end bars, to be ordered separately.

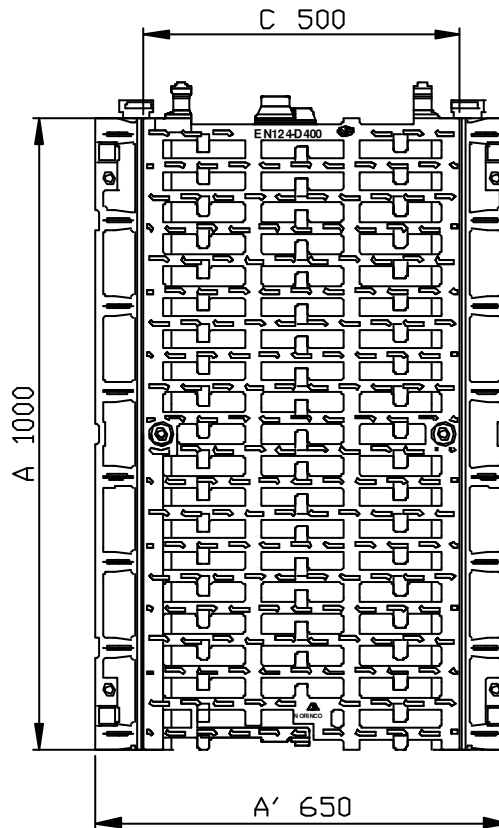
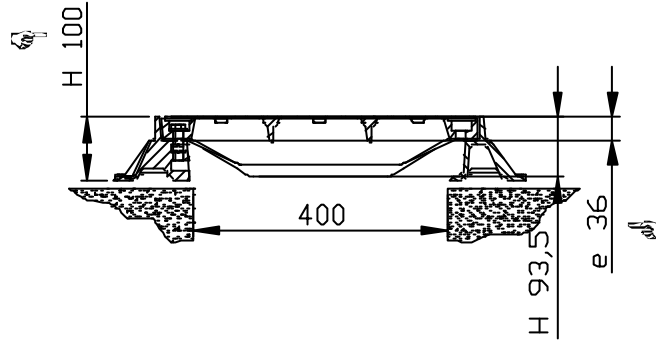
CIVIL ENGINEERING :

Frame bars incorporate 2 $\varnothing 14 \text{ mm}$ holes.
Frame bars incorporate 2 square holes for plug levelling(option)
Suitable for 1 m long prefabricated concrete ducts

HANDLING :

REMOVAL :
Unscrew bolts and prise against spring latch to unlock grating

RESETTING :
Return the grating, brackets being engaged under adjacent bar
Kick down to lock grating.
Screw bolts with 8 m.kg mini tightening torque



- (☞) Certified characteristics.
- Weights (kg), dimensions (mm) and drawings provided for your guidance.
- We reserve the right to modify specifications without prior notice.
- Uncontrolled distribution.

CONFIDENTIAL
Property of EJ EMEA
Not to be used without permission.

EJ
ZI De Marivaux | Saint-Crépin Ibouvillers |
BP50409 | 60544 Méru Cedex | France

Système Qualité ISO 9001 - ISO 14001 - OHSAS 18001

ejco.com

Data sheet : FT_522825
Date updated : 30.11.2012
Printed : 02.04.2013