
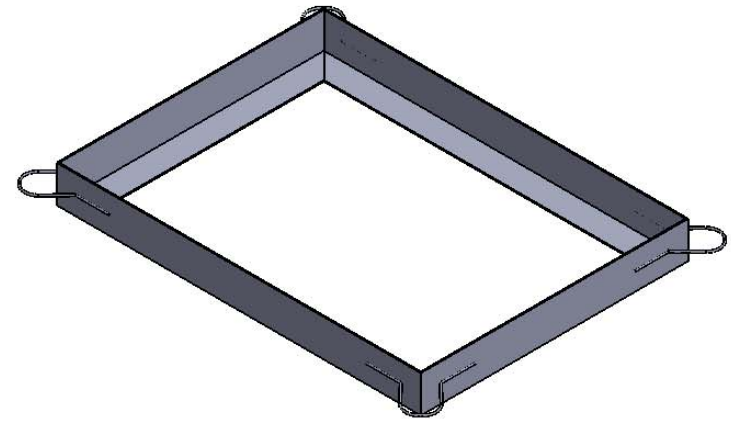
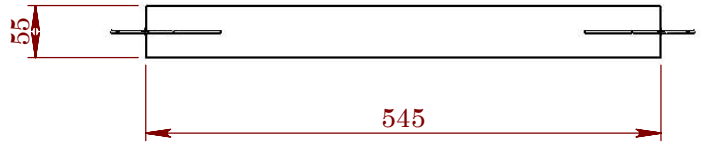
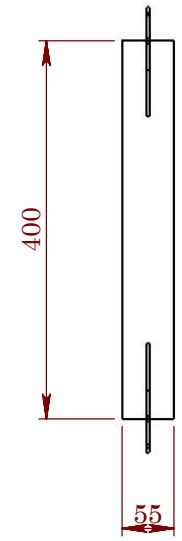
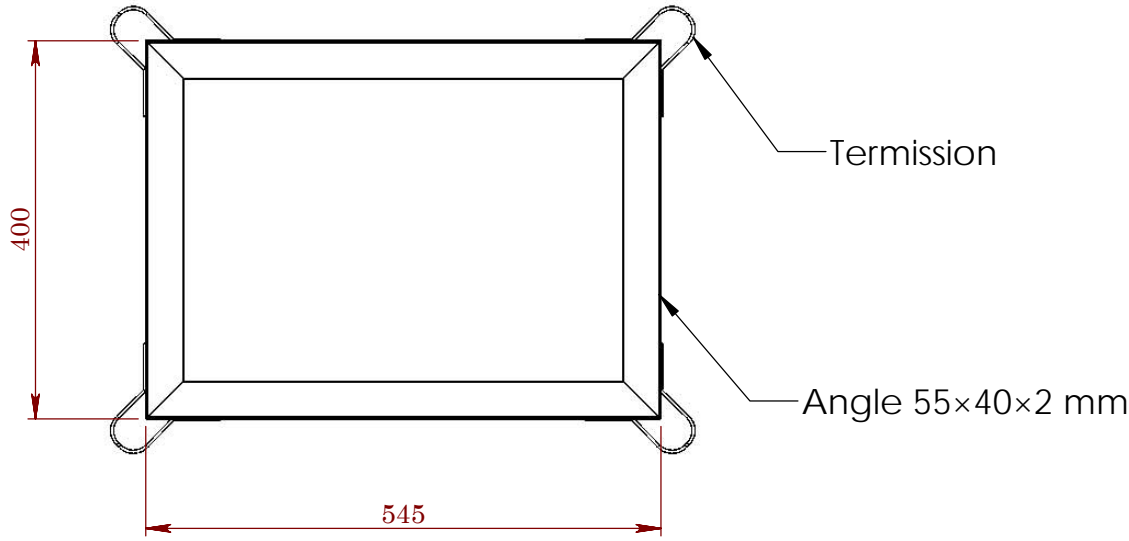

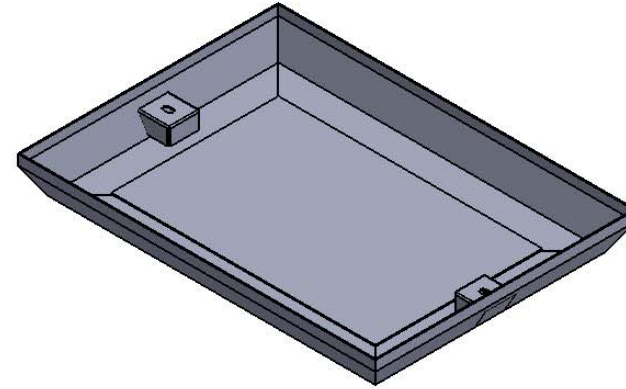
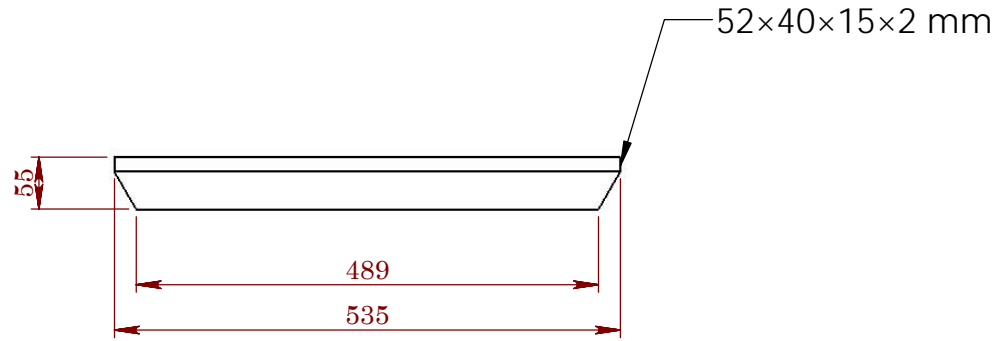
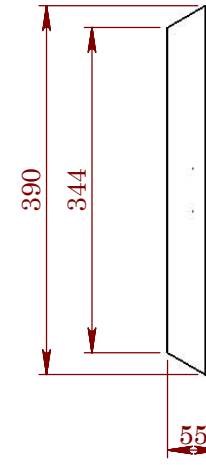
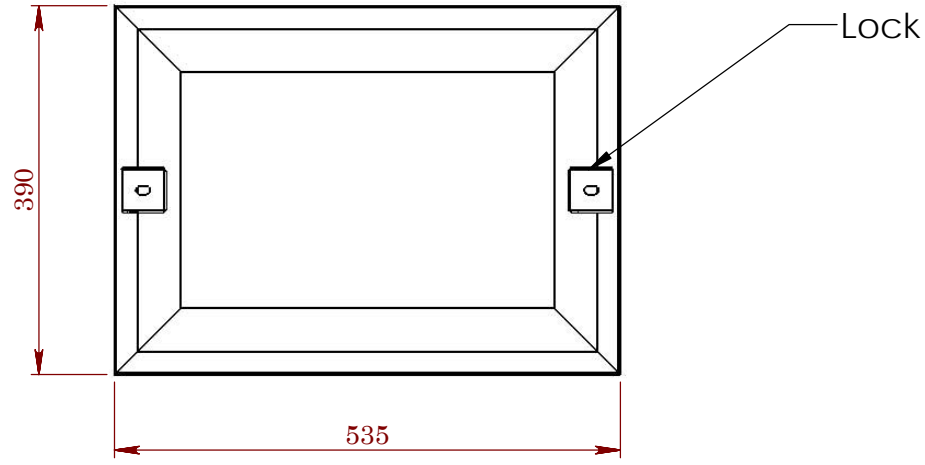



Version No		Tolerance	±1mm	Project name		قبرص	
Version Date	3/30/2023	Scale	1:8	Product Name		غطاء فتحات Scoot	
Description		Drawing No		Assembly/Part Name		غطاء فتحات Scoot	
 R&D Department and Technical Office	Part No		Drawing Date		3/30/2023		
	Material		Qty.		Designed By		Yousef Mosallam
	Qty.		Page No		Revised By		Mohamed Reda
	Page No		1 / 3		Approved By		Ahmed Salem



Version No		Tolerance	±1mm	Project name		قبرص		
Version Date	3/30/2023	Scale	1:8	Product Name		غطاء فتحات Scoot		
Description				Assembly/Part Name		<As Machined> مجمع فريم خارجي مقاس 400*545 مم		
 R&D Department and Technical Office		Drawing No		Designed By	Yusef Mosallam	Revised By	Mohamed Reda	
		Part No		Drawn By	Yusef Mosallam	Approved By	Ahmed Salem	
		Drawing Date	3/30/2023	Qty.				
		Material		Page No	2 / 3			



Version No		Tolerance	±1mm	Project name		قبرص		
Version Date	3/30/2023	Scale	1:8	Product Name		غطاء فتحات Scoot		
Description				Assembly/Part Name		<As Machined> مجمع فريم داخلي		
 R&D Department and Technical Office		Drawing No		Designed By	Yusef Mosallam	Revised By	Mohamed Reda	
		Part No		Drawn By	Yusef Mosallam	Approved By	Ahmed Salem	
		Drawing Date	3/30/2023	Qty.				
		Material		Page No	3 / 3			