



**ACCESS COVERS & FRAMES**

**Class D400  
EN124 : 1994**

**GBRE V3 DECOR**

**EN GJS 500-7 Iron  
ISO 1083 / EN1563**

**CARRIAGEWAY COVER**

**DESIGN FEATURES :**

- *Material(s) :*
  - ☞ SG Iron to ISO 1083 / EN1563, Grade 500-7.
- *Design load :*
  - ☞ 400 kN to EN 124. Group 4 installation area - carriageway of roads (including pedestrian streets), hard shoulders and parking areas, for all types of roads vehicles (and lower groups).
- *Coating :*
  - Non toxic waterbased black paint.

**SPECIAL FEATURES :**

- *Mass :*
  - Cover : 45.6 Kg
  - Product total : 85 kg.
- *Seatings ensure non-rock stability and silence :*
  - ☞ "Chloroprene rubber" seal
- *Frame bearing pressure :*
  - ☞  $p \leq 7.5 \text{ N/mm}^2$ .
- *Surface finish :*
  - Frame with "Square Tessellation" anti-slip surface.
- *Securing of cover/grating within frame :*
  - ☞ Secured by locking mechanism.
- *Frame type :*
  - Circular monoblock as cast.
  - ☞ Depth of insertion :  $e = 57 \text{ mm}$ .
  - ☞ Depth : 102 mm
- *Cover type :*
  - C : External diameter : 650 mm.
  - H, M12x45 stainless steel locking screw.
- *Watertightness :*
  - ☞ watertight to 1 bar.(see test)

**CIVIL ENGINEERING :**

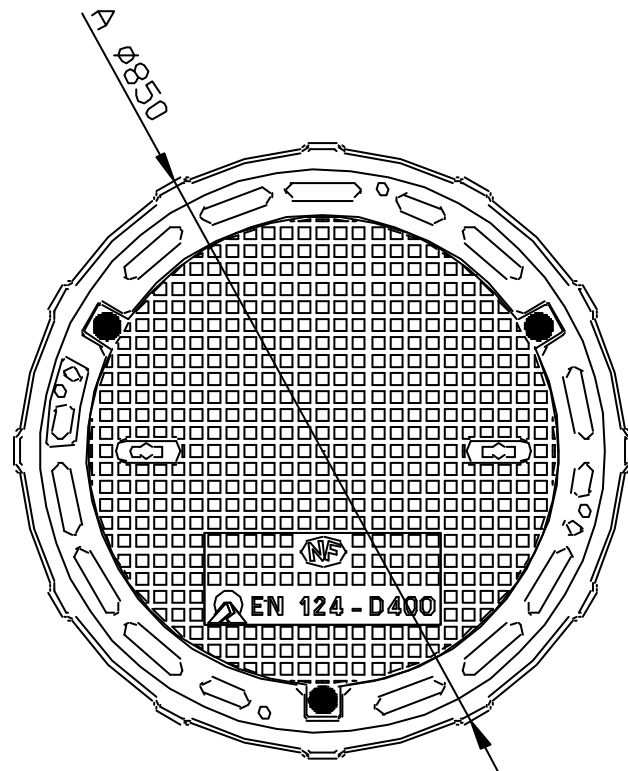
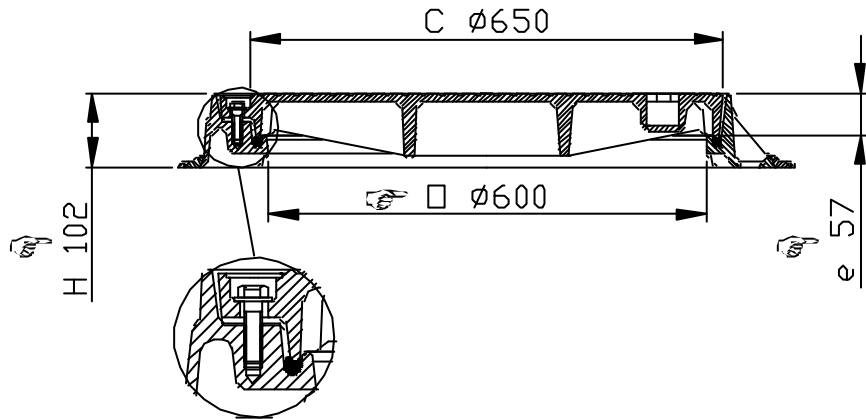
Frame provided with  $\varnothing 20 \text{ mm}$  holes to dowel on  $\varnothing 740 \text{ mm}$  circle if necessary.  
If the cover and frame assembly is subject to back pressure, then the civil engineering construction must be built to accommodate.

**HANDLING :**

Closed BS keyway.  
Handle with BA1 heavy duty lifting key. (item code : 511793)  
Screw bolts with 8 m.kg mini tightening torque  
The cover is provided with 1 or 2 keyways to allow removal by means of a hook or pick.

**OPTION(S) :**

- Badging : Please enquire.  
Badging space depending on size of cover.



- (☞) Certified characteristics.
- Weights (kg), dimensions (mm) and drawings provided for your guidance.
- We reserve the right to modify specifications without prior notice.
- Uncontrolled distribution.

**CONFIDENTIAL**  
Property of EJ EMEA  
Not to be used without permission.

**EJ**  
ZI De Marivaux | Saint-Crépin Ibouvillers |  
BP50409 | 60544 Méru Cedex | France  
  
Système Qualité ISO 9001 - ISO 14001 - OHSAS 18001  
  
ejco.com

**Data sheet :**  
FT\_514302  
**Date updated :**  
02.04.2012  
**Printed :** 26.06.2012