



ACCESS COVERS & FRAMES

**Class D400
EN124 : 1994**

\$RD HCIP760HD D400 KM

**EN GJS 500-7 Iron
ISO 1083 / EN1563**

PARKING COVER



DESIGN FEATURES :

- *Material(s) :*
SG Iron 500-7
ISO 1083 / EN1563
- *Design load :*
400 kN according to EN 124: 1994, Place of installation: Recommended for filling station forecourts, service areas, carparks and comparable areas limited to maximum of 10mph.

- *Coating :*
Non toxic waterbased black paint.

- *Product Certification :*
Kitemark

SPECIAL FEATURES :

- *Mass :*
Cover : 64.3 Kg
Product total : 105.9 kg.
- *Surface finish :*
Cover: Anti-slip surface with 4L patented design.
- *Frame type :*
Rectangular monoblock as cast.
- *Cover type :*
Rectangular : 836 x 809 mm.
Cover locked to the frame by means of turnbuckle stainless steel lock with coded key.
Torsion spring assisted hinged cover
Opening angle ≈ 105°.
- *Watertightness :*
Resistance to the ingress of surface water under normal atmospheric pressure by means of the continuous peripheral contact of a special cushioning insert fitted on the frame.
- *Seatings ensure non-rock stability and silence :*
Continuous "polypro EPDM" cushioning insert, fixed to the frame.
- *Frame bearing pressure :*
 $p \leq 7.5 \text{ N/mm}^2$.

HANDLING :

The locking key is used as a handling key once the cover is unlocked.
The handling can be achieved by only one operator
Unlocking and opening by means of a coded key.



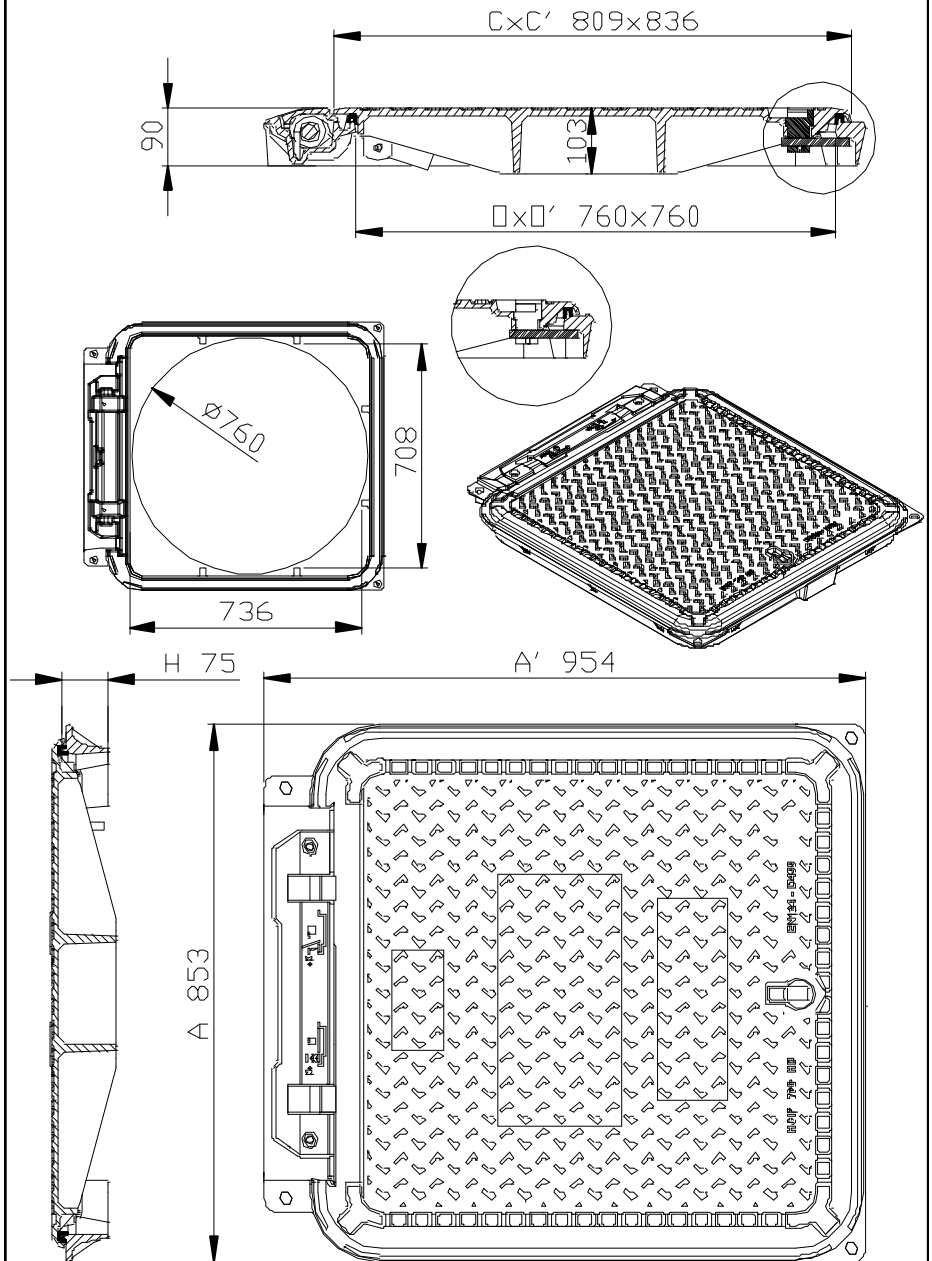
Item code of the key : 102727. (supplied separately), to order.

CIVIL ENGINEERING :

Visible frame to facilitate paving of surrounding area, to be installed +20mm from the road level to enhance water drainage.
Frame provided with $\varnothing 20 \text{ mm}$ holes to dowel if necessary.

OPTION(S) :

- Badging : Please enquire.
Badging space depending on size of cover.



- Weights (kg), dimensions (mm), and drawings provided for your guidance.
- We reserve the right to modify specifications without prior notice.
- Uncontrolled distribution.

CONFIDENTIAL
Property of EJ EMEA
Not to be used without permission.

EJ
ZI De Marivaux | Saint-Crépin Ibouvillers |
BP50409 | 60544 Méru Cedex | France

Système Qualité ISO 9001 - ISO 14001 - OHSAS 18001

ejco.com

Data sheet :
AP_544029
Date updated :
13.05.2013
Printed : 13.05.2013