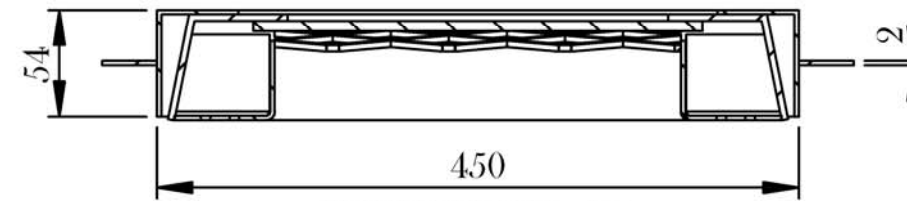
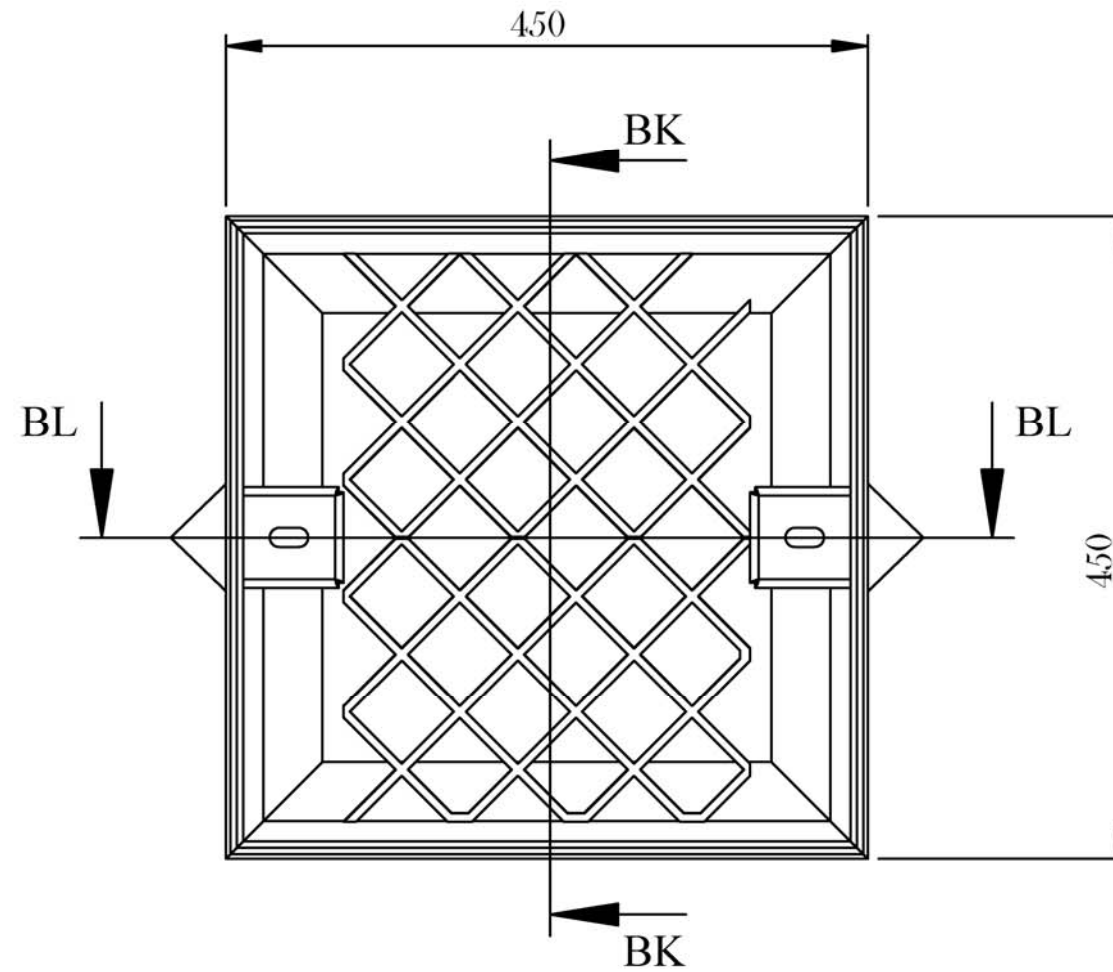


SECTION BK-BK
SCALE 1 : 5




SECTION BL-BL
SCALE 1 : 5

Including all sizes	
No.	Size
1	200×200
2	250×250
3	300×300
4	350×350
5	400×400
6	450×450
7	500×500
8	550×550
9	600×600
10	700×700
11	700×550
12	850×550
13	900×900
14	1000×1000
15	1100×1100

Tolerance: $\pm .5$ mm

Hot dipped galvanized recessed covers angle frame overall size 54×38 mm with galvanized sheet on the cover and expanded metal with mesh size 90×31mm, thickness 2 mm

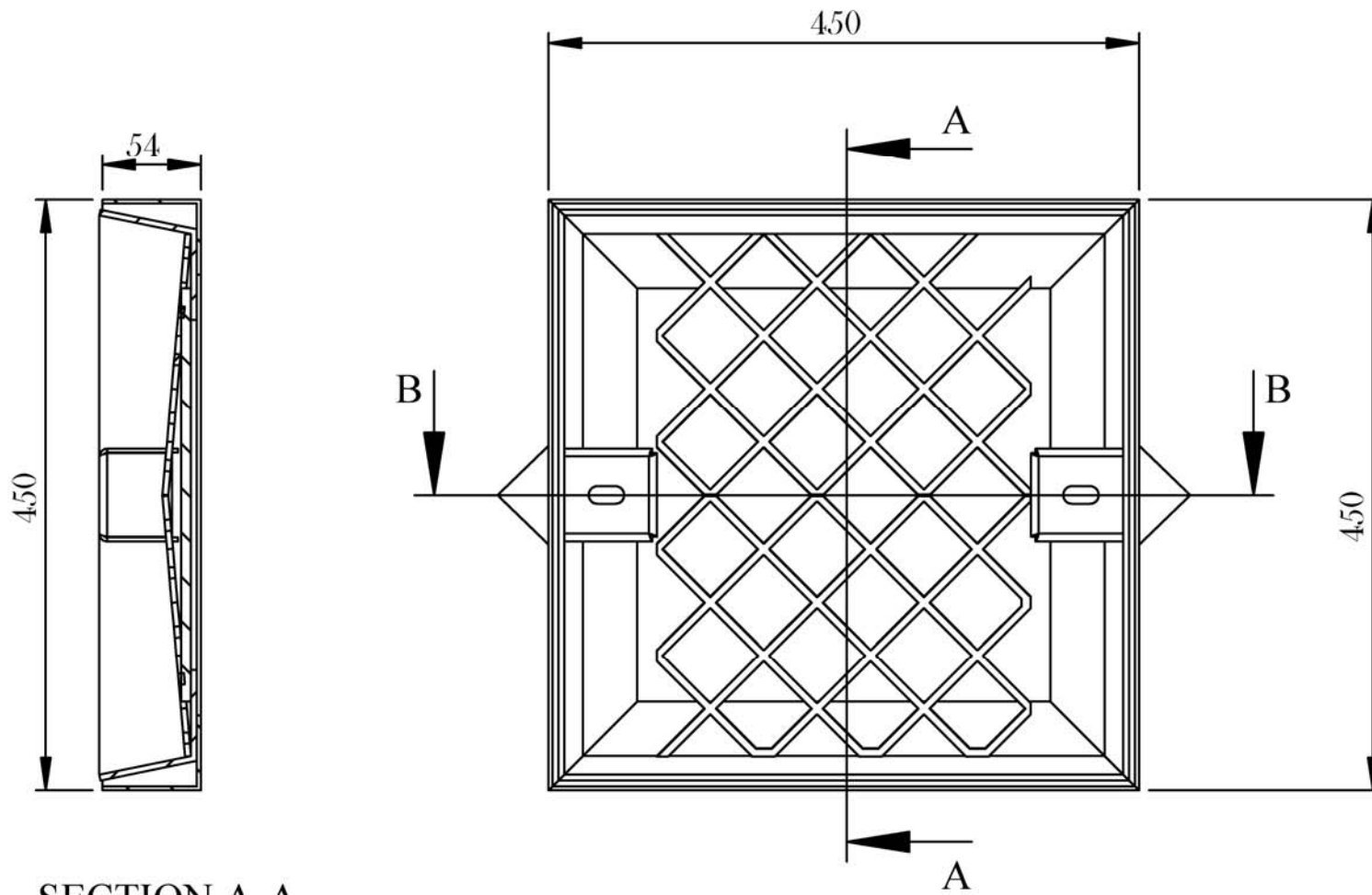
Designed By	Mohamed Reda	Approved By	Ahmed Salem
Drawn By	Yousef Mosallam	Date	27-03-2022
Revised By	Mohamed Reda	Part No	00

 R&D Department and Technical Office	Virision No	00
	Material	0000
	Scale	Fit To Paper
	Qty.	00
	Drawing No	XY-00-0065
	Page No	1 / 10

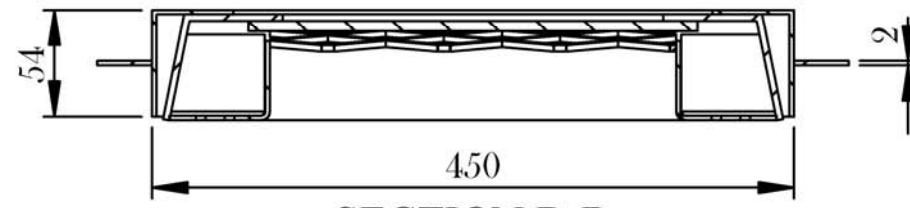
Project name	MANHOLE
--------------	---------

Product Name	Manhole 450×450 mm
--------------	--------------------

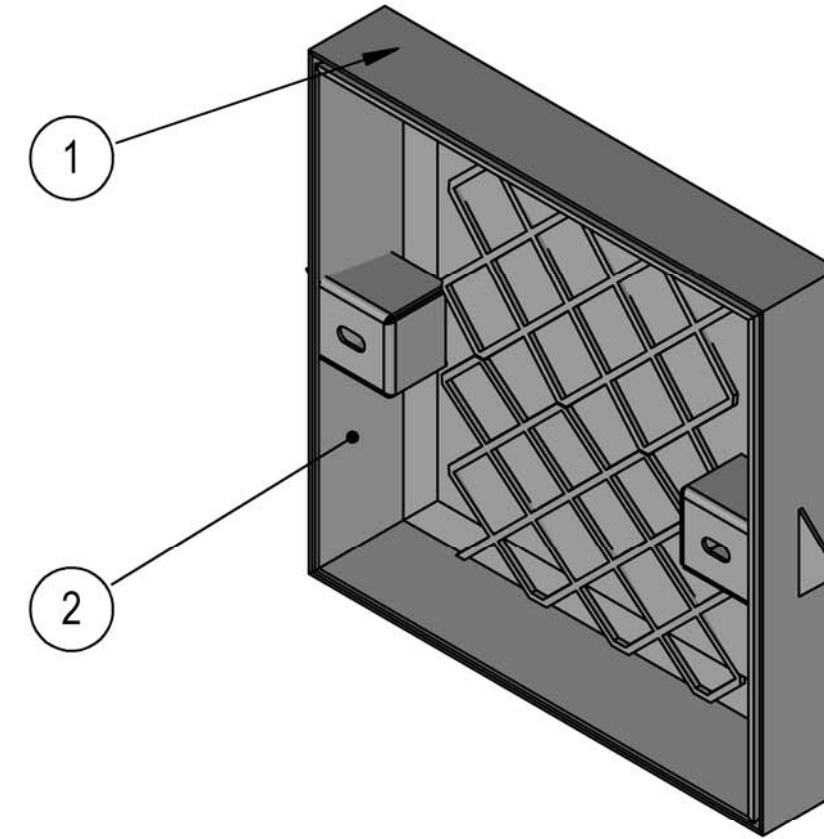
Assembly/Part Name	
--------------------	--




SECTION A-A
SCALE 1 : 5



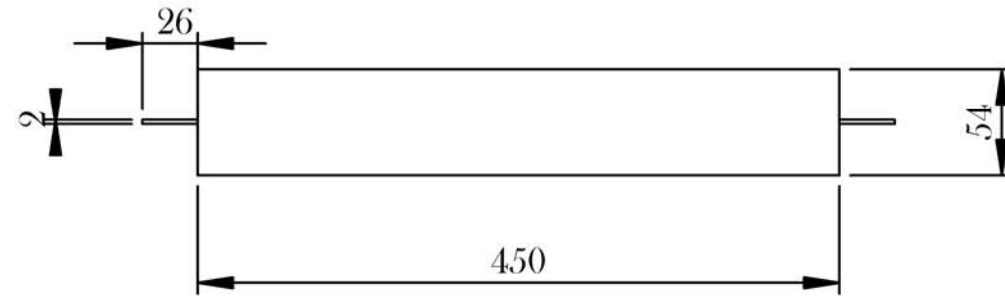
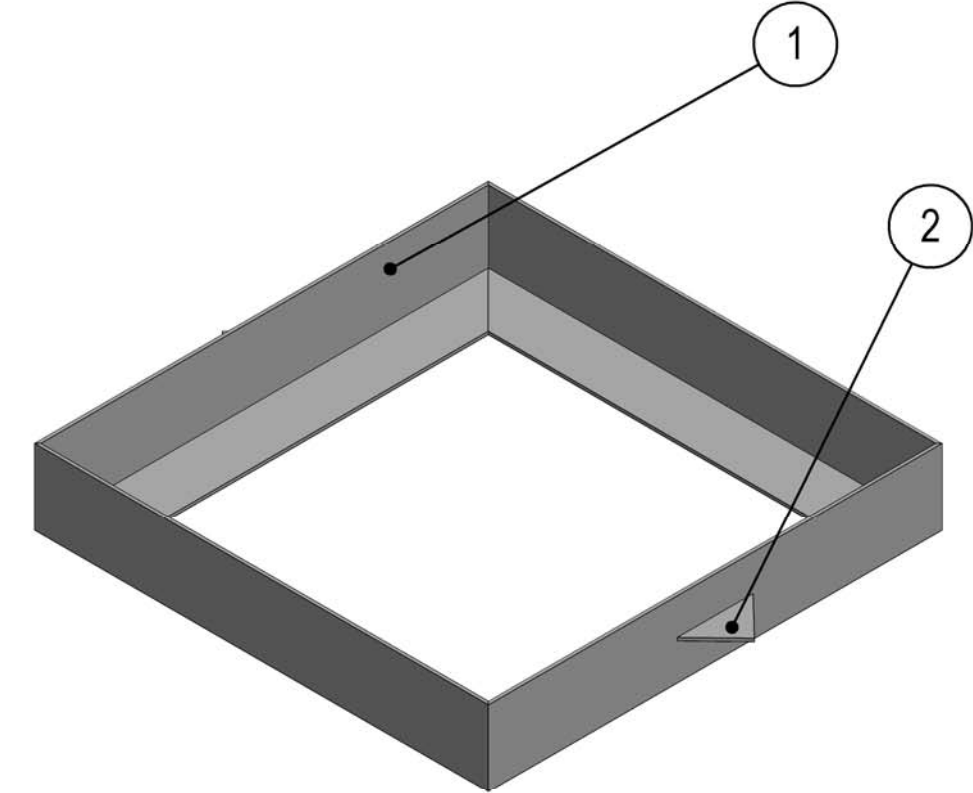
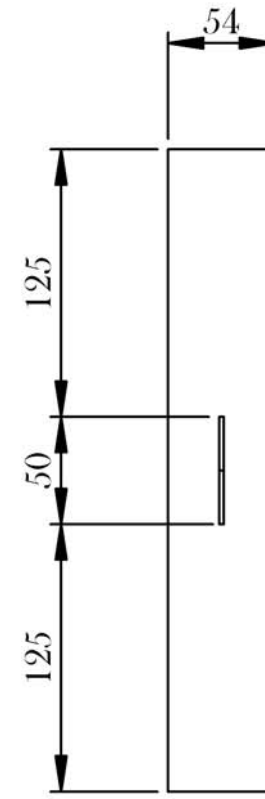
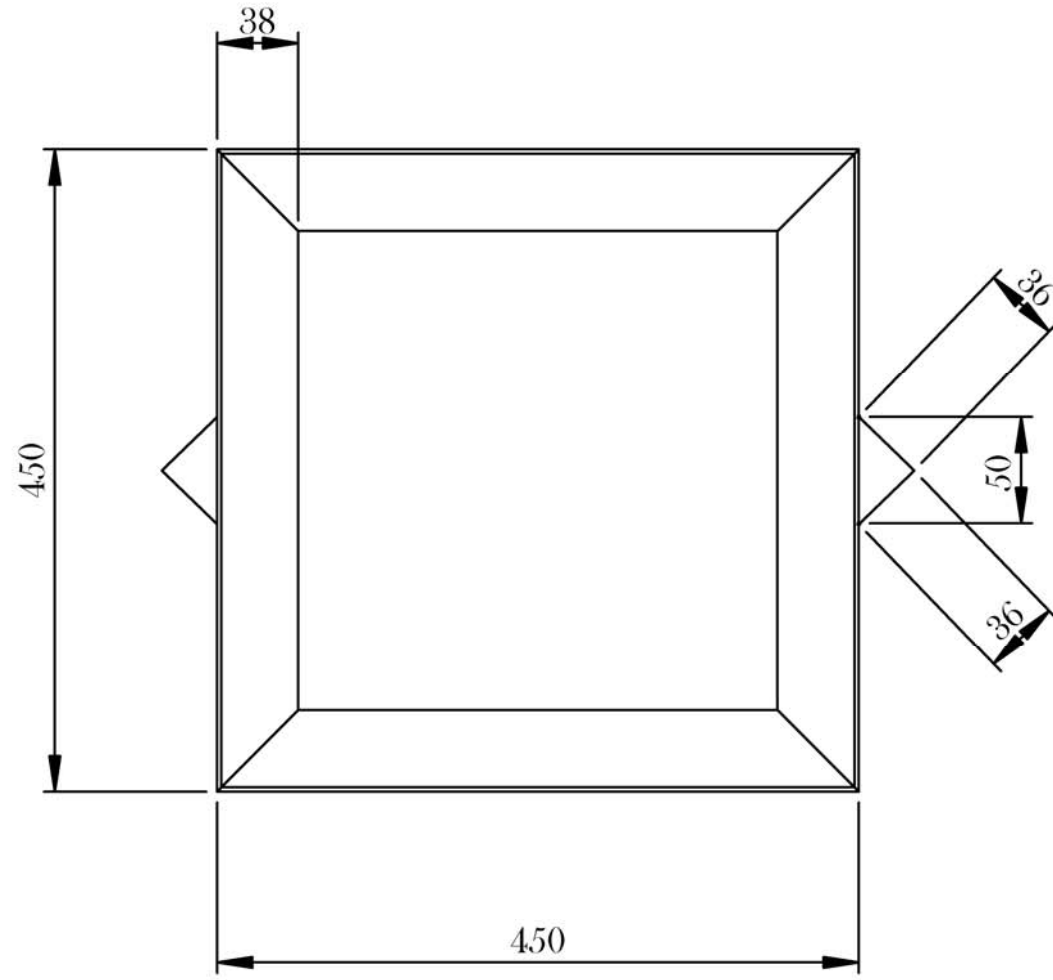
SECTION B-B
SCALE 1 : 5



Tolerance: $\pm .5$ mm

Designed By	Mohamed Reda	Approved By	Ahmed Salem
Drawn By	Yousef Mosallam	Date	27-03-2022
Revised By	Mohamed Reda	Part No	00
 R&D Department and Technical Office	Virision No	00	
	Material	0000	
	Scale	Fit To Paper	
	Qyt.	00	
	Drawing No	XY-00-0065	
	Page No	2 / 10	

Project name	MANHOLE
Product Name	Manhole 450×450 mm
Assembly/Part Name	



-	Sheet metal 2 mm th		2	Triangle Support	2
-	Angle 54x38x2 mm		4	Inside frame angle	1
الملاحظات	المواصفات	رقم الرسم	الكمية	بيان	مسلسل

Tolerance: $\pm .5$ mm

Designed By Mohamed Reda
 Drawn By Yousef Mosallam
 Revised By Mohamed Reda

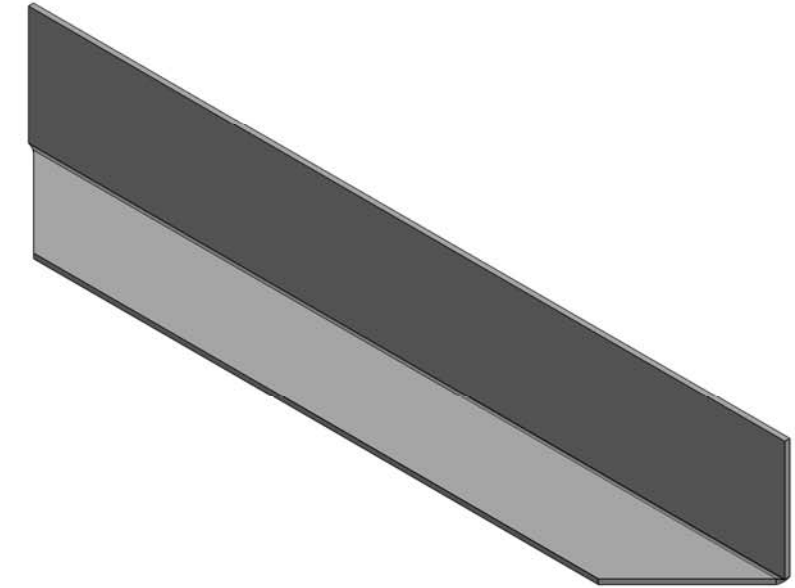
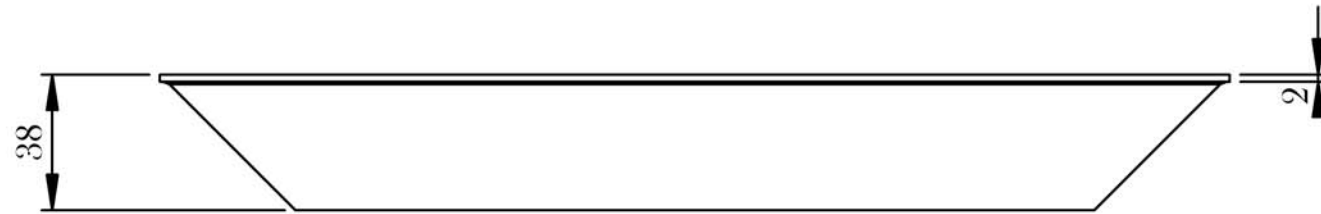
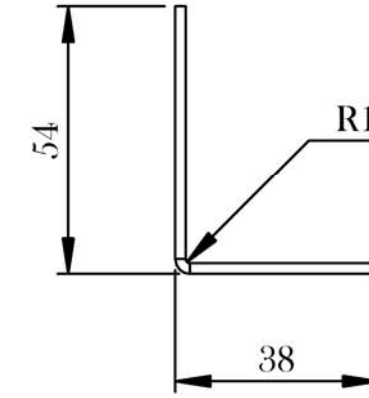
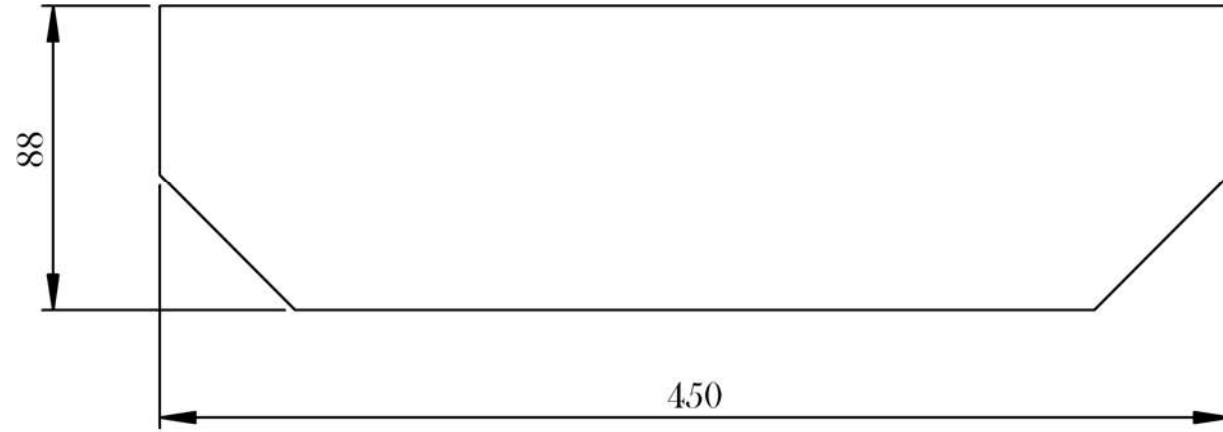
Approved By Ahmed Salem
 Date 27-03-2022
 Part No 01

Project name **MANHOLE**




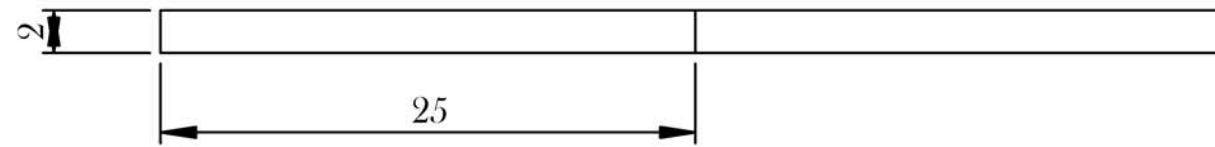
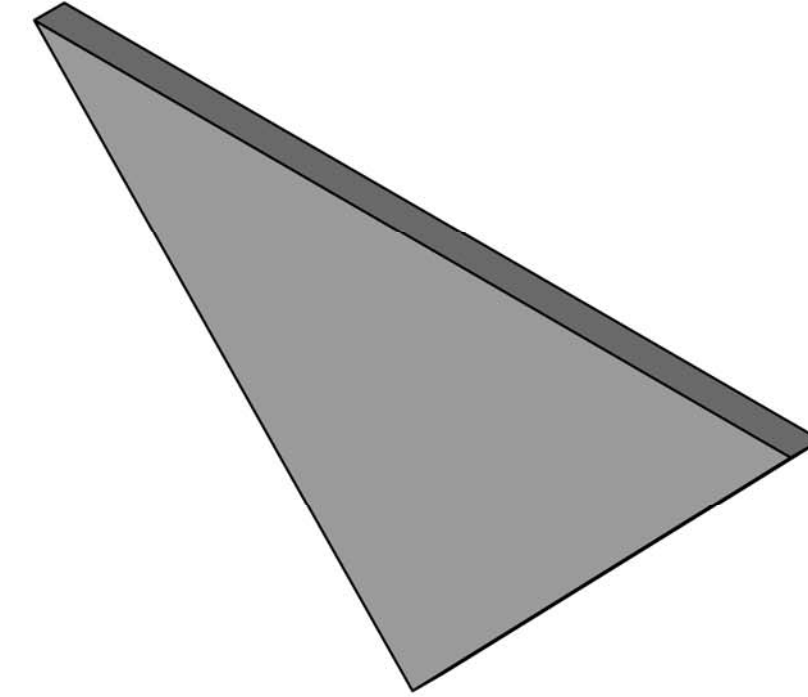
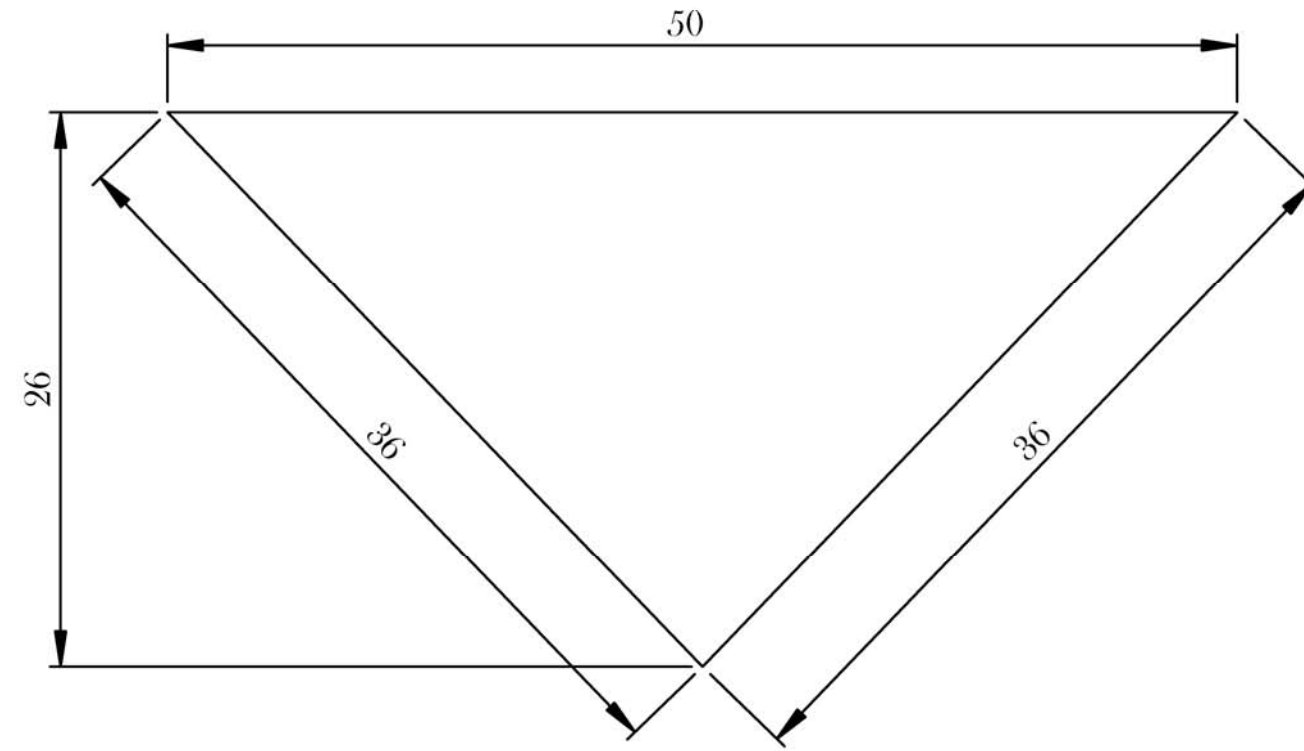
Virision No 00
 Material 0000
 Scale Fit To Paper
 Qyt. 00
 Drawing No XY-00-0066
 Page No 3 / 10

Product Name **Manhole 450x450 mm**
 Assembly/Part Name




Tolerance: $\pm .5$ mm

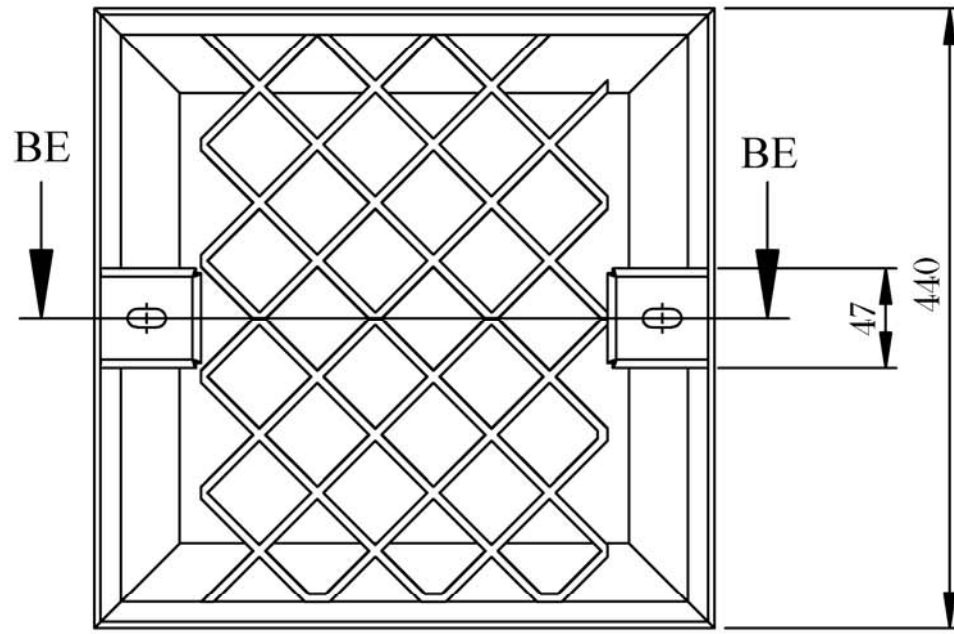
Designed By	Mohamed Reda	Approved By	Ahmed Salem	Project name	MANHOLE
Drawn By	Yousef Mosallam	Date	27-03-2022		
Revised By	Mohamed Reda	Part No	01	Product Name	Manhole 450×450 mm
 R&D Department and Technical Office		Virision No	00		
		Material	0000		
		Scale	Fit To Paper		
		Qty.	04		
		Drawing No	XY-00-0068	Assembly/Part Name	
		Page No	3 / 10		



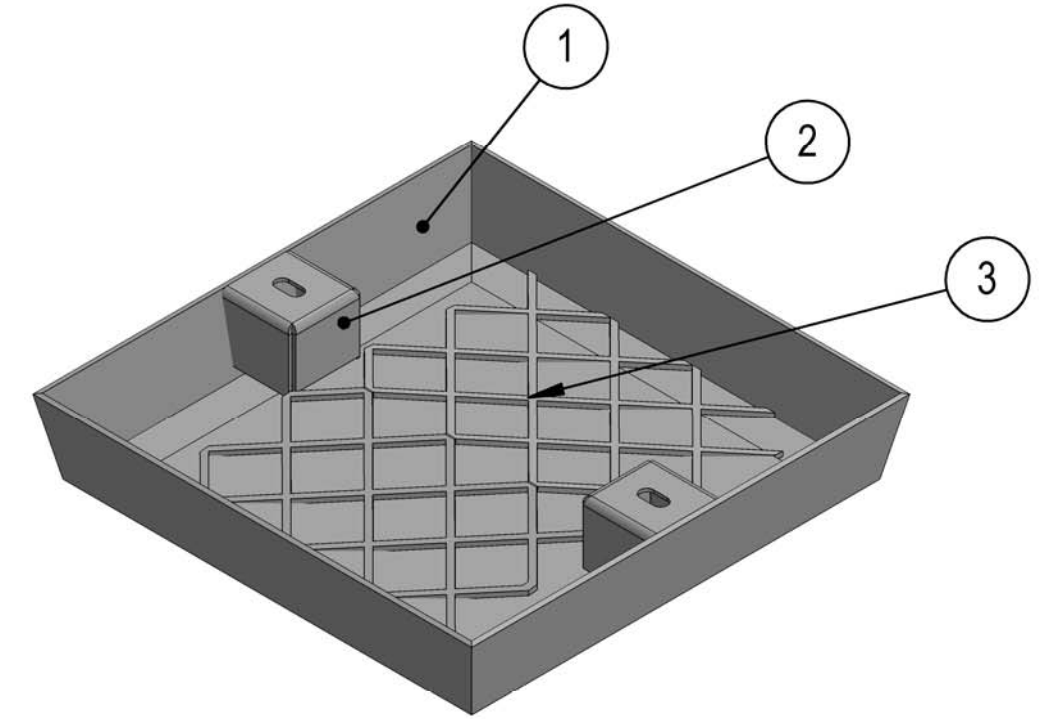
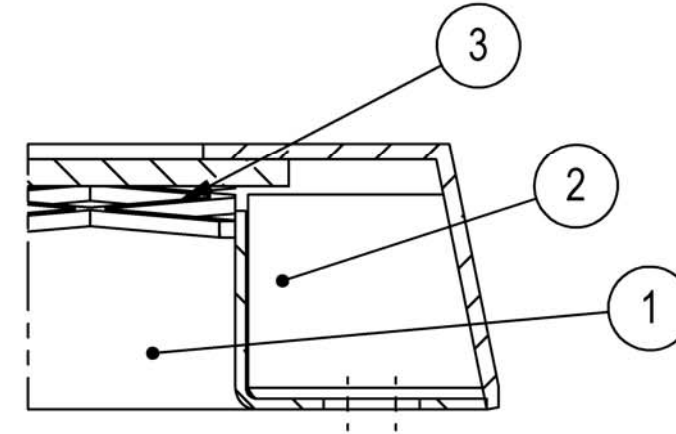
Tolerance: $\pm .5$ mm

Designed By	Mohamed Reda	Approved By	Ahmed Salem
Drawn By	Yousef Mosallam	Date	27-03-2022
Revised By	Mohamed Reda	Part No	02
 R&D Department and Technical Office	Virision No	00	
	Material	0000	
	Scale	Fit To Paper	
	Qty.	02	
	Drawing No	XY-00-0069	
	Page No	4 / 10	

Project name	MANHOLE
Product Name	Manhole 450×450 mm
Assembly/Part Name	



DETAIL BJ



SECTION BE-BE
SCALE 1 : 5

	-		1	Expanded sheet metal	3
	Sheet metal 2 mm th		2	Cocer Key	2
	-		1	Assm. Inside Frame	1
الملاحظات	المواصفات	رقم الرسم	الكمية	بيان	مسلسل

Tolerance: $\pm .5$ mm

Designed By Mohamed Reda
Drawn By Yousef Mosallam
Revised By Mohamed Reda

Approved By Ahmed Salem
Date 27-03-2022
Part No 00

Project name
MANHOLE

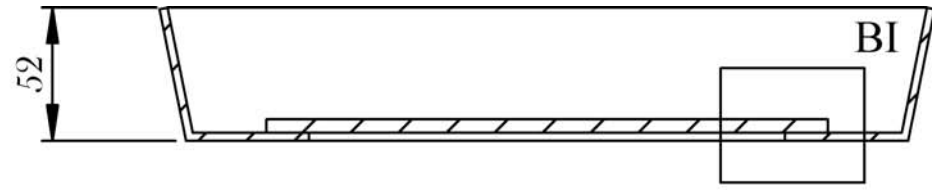


R&D Department and
Technical Office

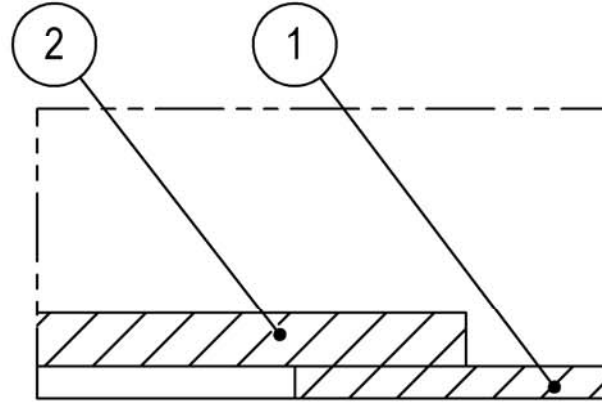
Virision No 00
Material 0000
Scale Fit To Paper
Qyt. 00
Drawing No XY-00-0067
Page No 5 / 10

Product Name
Manhole 450×450 mm

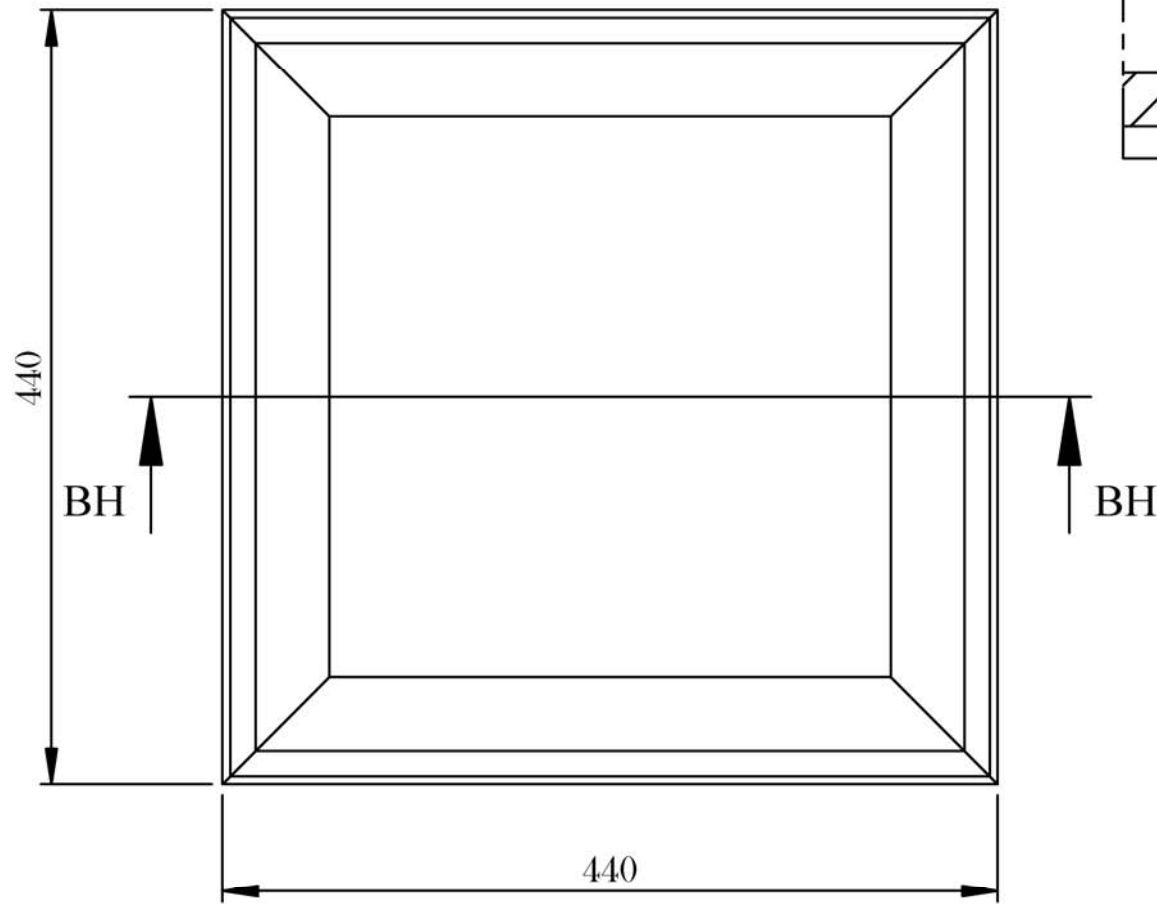
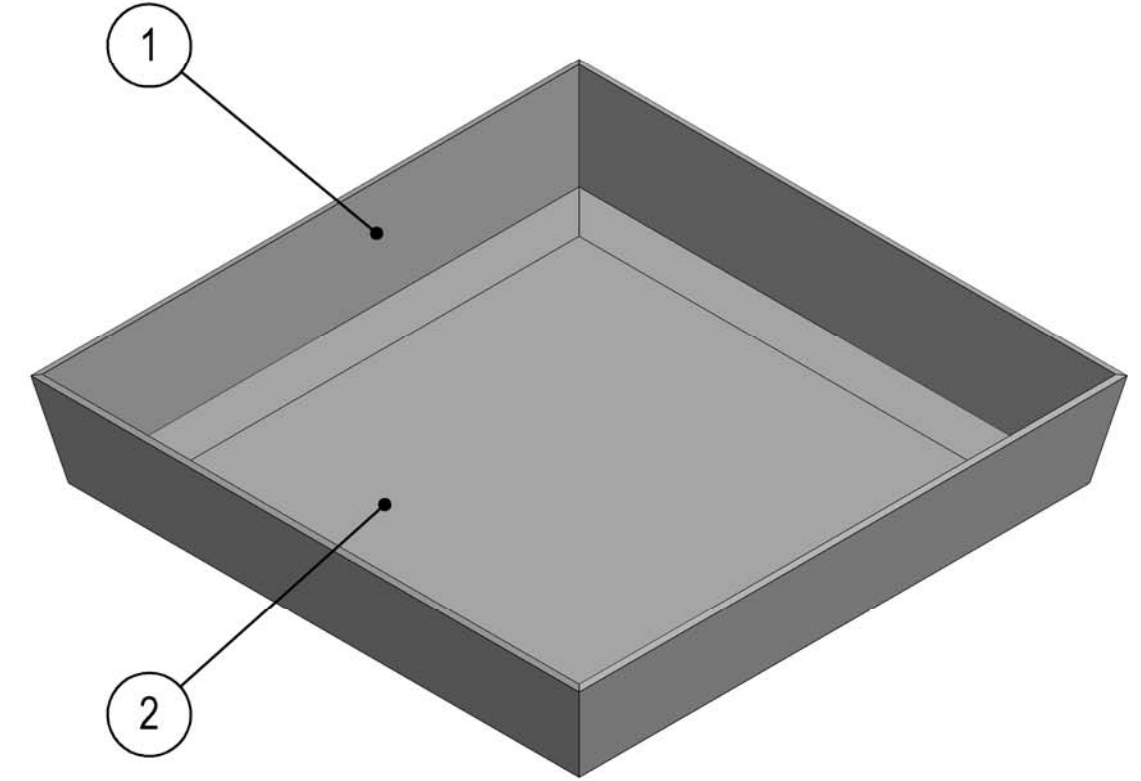
Assembly/Part Name



SECTION BH-BH
SCALE 1 : 4



DETAIL BI
SCALE 1 : 1



	sheet metal 1.5 mm th		1	Sheet metal base	2
	Angle 52×40×2 mm		4	Insidw frame angle	1
الملاحظات	المواصفات	رقم الرسم	الكمية	بيان	مسلسل

Tolerance: $\pm .5$ mm

Designed By Mohamed Reda
Drawn By Yousef Mosallam
Revised By Mohamed Reda

Approved By Ahmed Salem
Date 27-03-2022
Part No 00

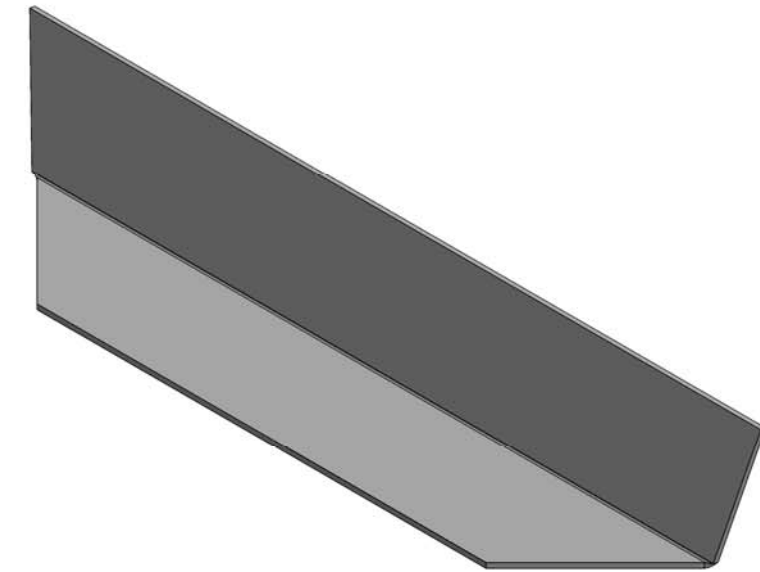
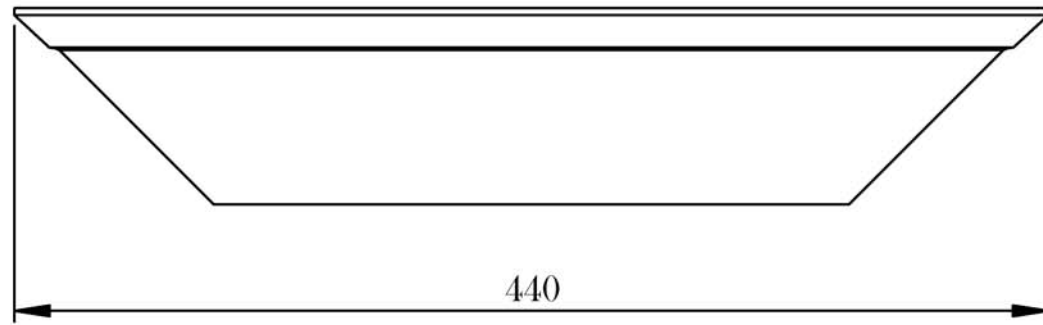
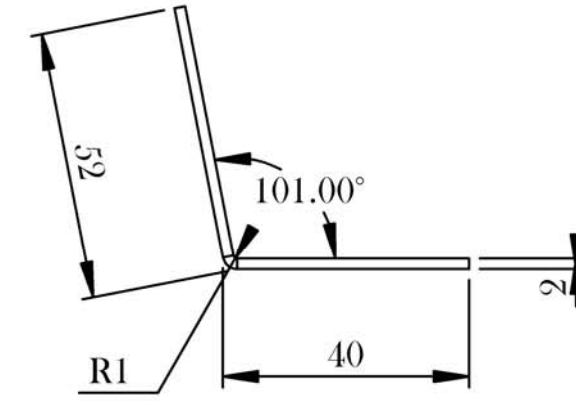
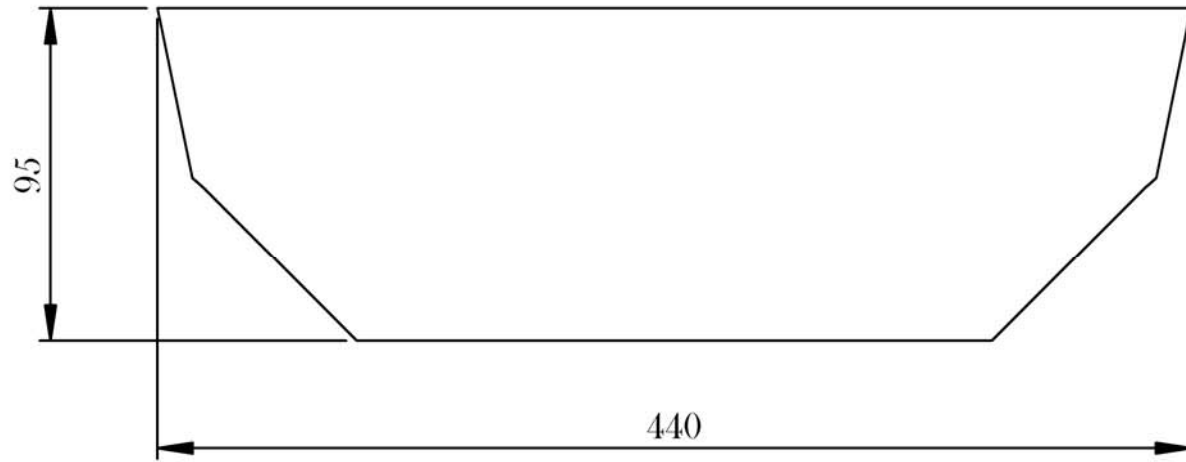
Project name
MANHOLE



R&D Department and
Technical Office

Virision No 00
Material 0000
Scale Fit To Paper
Qty. 00
Drawing No XY-00-0070
Page No 6 / 10

Product Name
Manhole 450×450 mm
Assembly/Part Name



Tolerance: $\pm .5$ mm

Designed By	Mohamed Reda
Drawn By	Yousef Mosallam
Revised By	Mohamed Reda

Approved By	Ahmed Salem
Date	27-03-2022
Part No	00

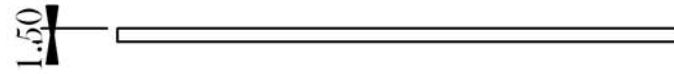
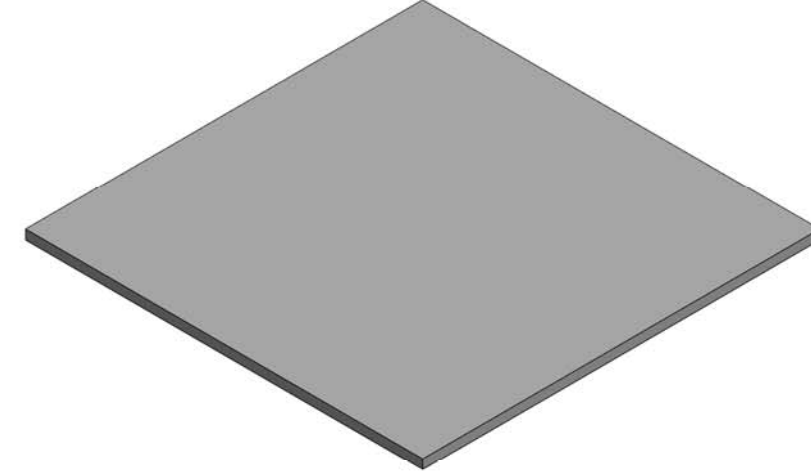
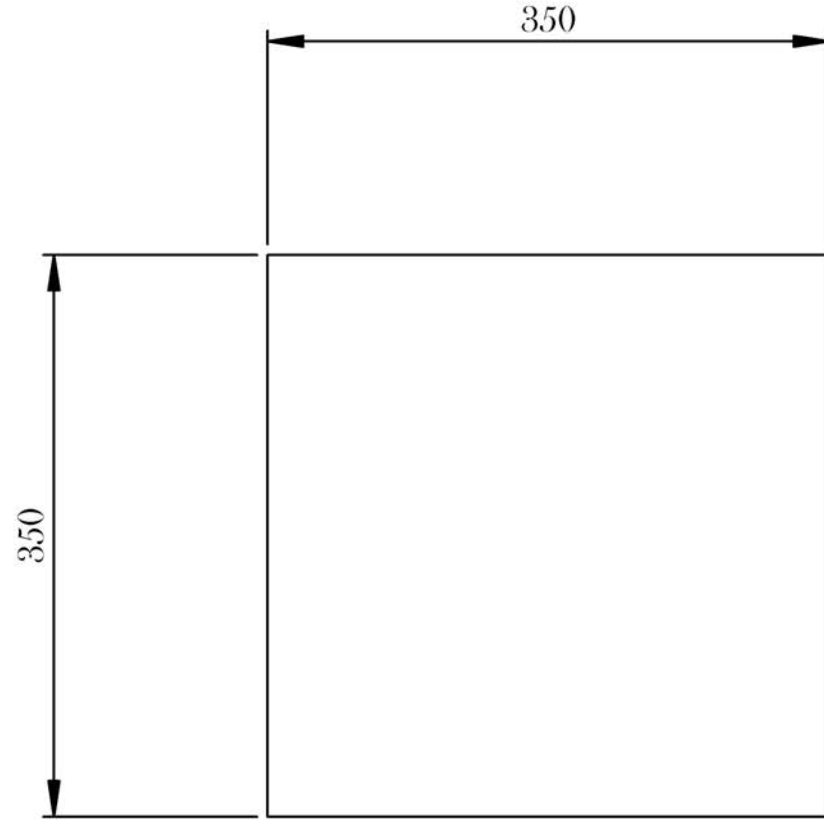
Project name	MANHOLE
--------------	---------



Virision No	00
Material	0000
Scale	Fit To Paper
Qyt.	04
Drawing No	XY-00-0073
Page No	7 / 10


Product Name	Manhole 450×450 mm
--------------	--------------------

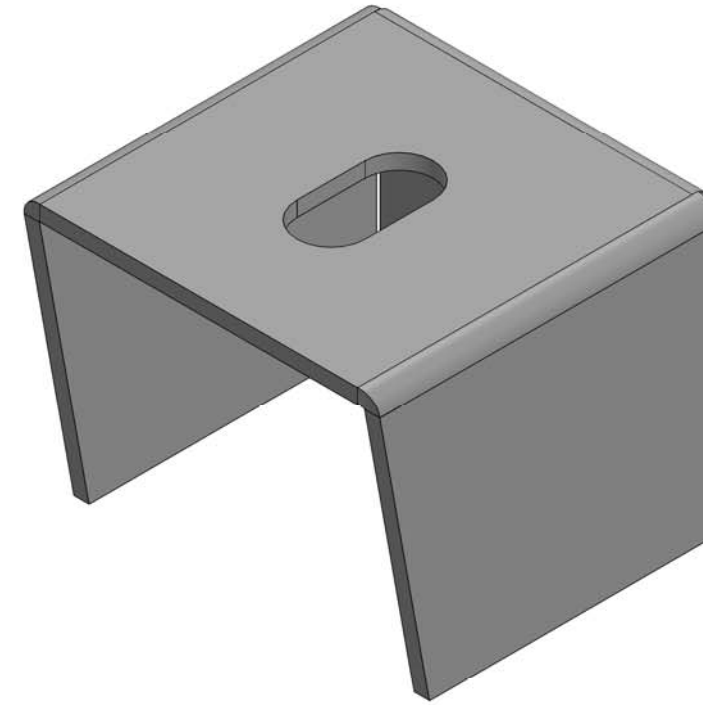
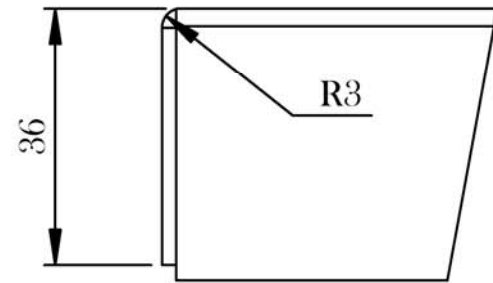
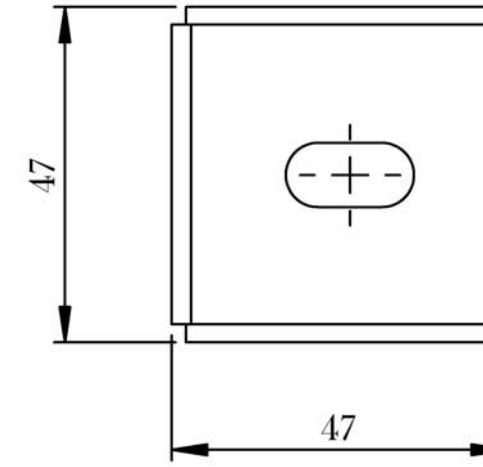
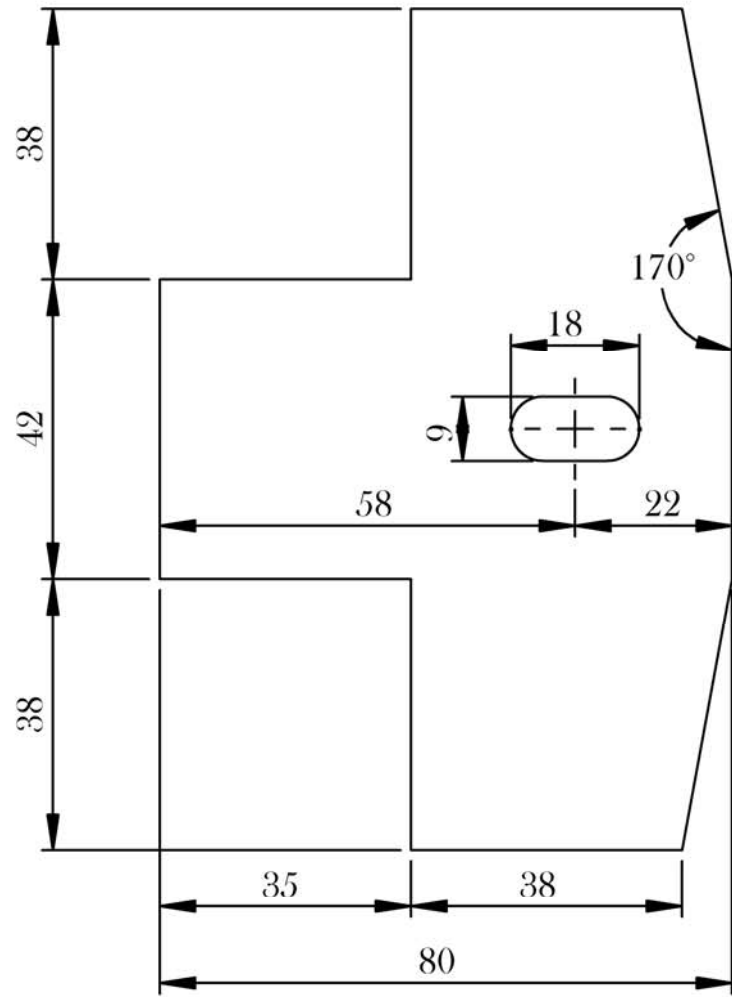
Assembly/Part Name	
--------------------	--



Tolerance: $\pm .5$ mm

الخامة صاج تخانة 1.5 مم

Designed By	Mohamed Reda	Approved By	Ahmed Salem	Project name MANHOLE
Drawn By	Yousef Mosallam	Date	27-03-2022	
Revised By	Mohamed Reda	Part No	00	
 R&D Department and Technical Office	Virision No	00	Product Name Manhole 450×450 mm	
	Material	0000		
	Scale	Fit To Paper		
	Qyt.	00	Assembly/Part Name	
	Drawing No	XY-00-0074		
	Page No	8 / 10		



Tolerance: $\pm .5$ mm

Designed By	Mohamed Reda
Drawn By	Yousef Mosallam
Revised By	Mohamed Reda

Approved By	Ahmed Salem
Date	27-03-2022
Part No	00

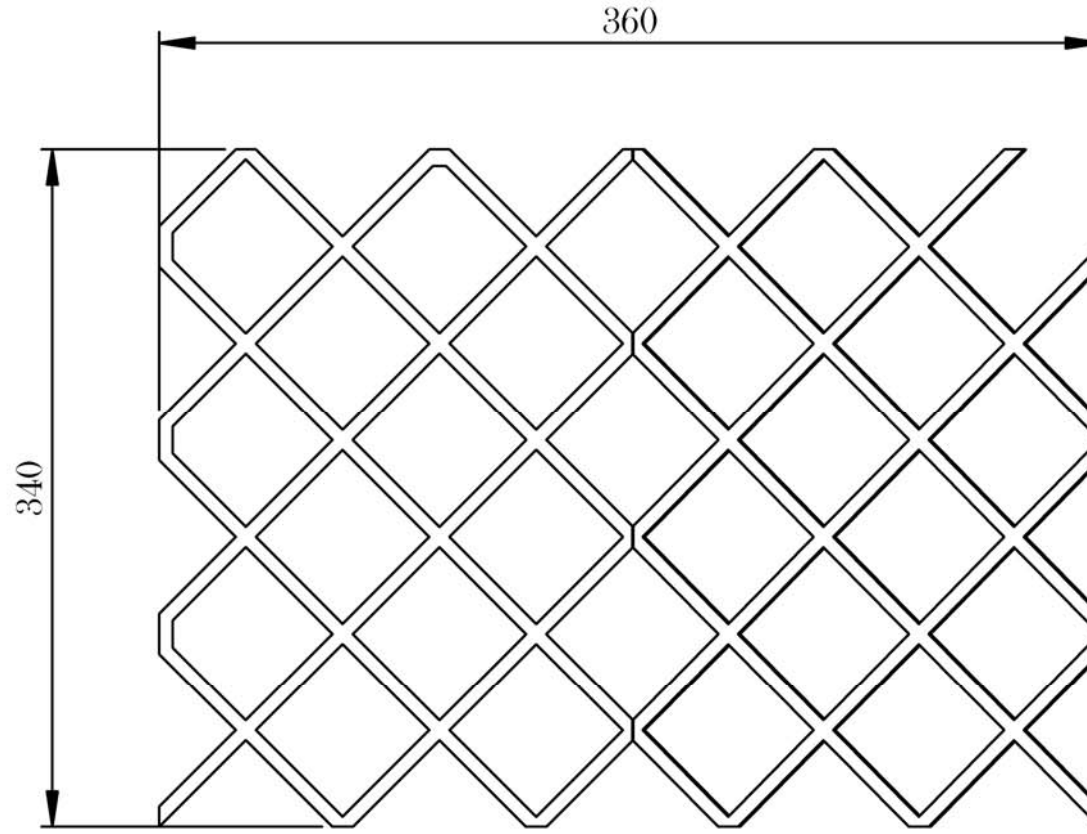
Project name	MANHOLE
--------------	---------




Virision No	00
Material	0000
Scale	Fit To Paper
Qty.	02
Drawing No	XY-00-0071
Page No	9 / 10

Product Name	Manhole 450×450 mm
--------------	--------------------

Assembly/Part Name	
--------------------	--



Tolerance: $\pm .5$ mm

Designed By	Mohamed Reda	Approved By	Ahmed Salem	Project name	MANHOLE
Drawn By	Yousef Mosallam	Date	27-03-2022		
Revised By	Mohamed Reda	Part No	00		
 R&D Department and Technical Office	Virision No	00	Product Name	Manhole 450×450 mm	
	Material	0000			
	Scale	Fit To Paper	Assembly/Part Name		
	Qty.	00			
	Drawing No	XY-00-0072			
	Page No	10 / 10			