



ACCESS COVERS & FRAMES

Class C250
EN124 : 1994
EN GJS 500-7 Iron
ISO 1083 / EN1563

REVO 400 C

SQUARE SINGLE SEAL / SHC RANGE

DESIGN FEATURES :

- **Material(s) :**
 - ☞ SG Iron to ISO 1083 / EN1563, Grade 500-7.
- **Design load :**
 - ☞ 250 kN to EN124. Group 3 installation area - for gully tops located in kerbside channels of roads which when measured from the kerb edge, extend a maximum of 0,5 m into the carriageway and a maximum of 0,2 m into the footway.
- **Coating :**
 - Non toxic waterbased black paint.
- **Product Certification :**
 - NF Mark
 - This quality mark certifies conformity to the 'NF' regulation 110 and other additional features as highlighted (☞) by the authorising body AFNOR CERTIFICATION, 11, rue Francis de Pressensé F-93571 LA PLAINE SAINT DENIS CEDEX



SPECIAL FEATURES :

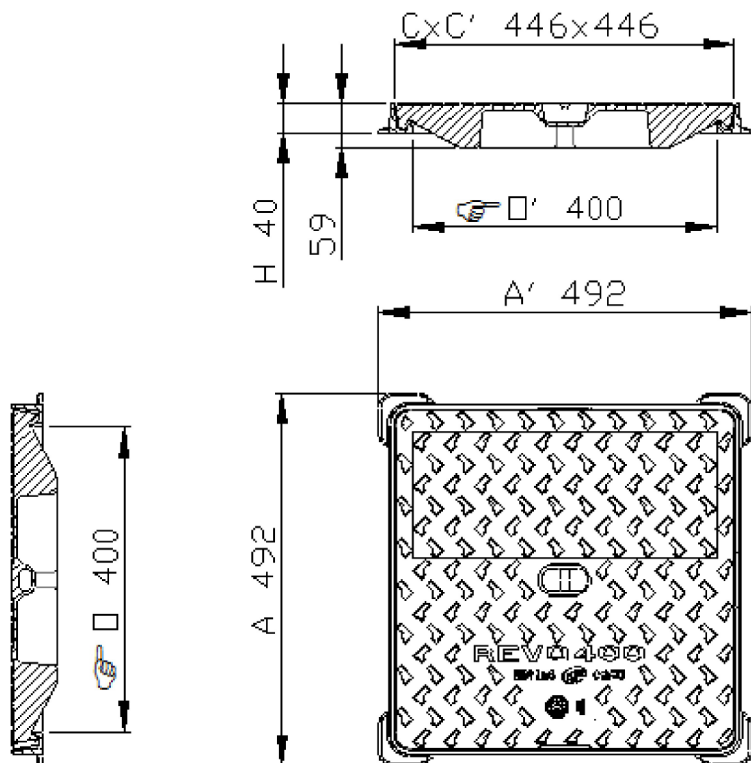
- **Mass :**
 - Cover : 16.5 Kg
 - Product total : 21.3 kg.
- **Surface finish :**
 - Cover: Anti-slip surface with 4L patented design.
- **Frame type :**
 - ☞ single seal \geq 6mm. Odour resistant.
 - square monoblock frame as cast.
- **Frame bearing pressure :**
 - ☞ $p \leq 7.5$ N/mm².

CIVIL ENGINEERING :

The frame base is designed to ensure secure seating.
The external geometry of the frame facilitates finishes such as paving or tiling.

OPTION(S) :

Badging : others badgings please enquire



- (☞) Certified characteristics.
- Weights (kg), dimensions (mm) and drawings provided for your guidance.
- We reserve the right to modify specifications without prior notice.
- Uncontrolled distribution.

CONFIDENTIAL
Property of EJ EMEA
Not to be used without permission.

EJ
ZI De Marivaux | Saint-Crépin Ibouvillers |
BP50409 | 60544 Méru Cedex | France

Quality System ISO 9001 - ISO 14001 - OHSAS 18001

ejco.com

Data sheet :
FT_544963
Date updated :
14.01.2015
Printed : 05.03.2015