



GULLY GRATING AND FRAME

REVO GP600 C250 NF

FLAT GRATING

Class C250
EN124 : 1994
EN GJS 500-7 Iron
ISO 1083 / EN1563

DESIGN FEATURES :

- **Material(s) :**
 ⚙ SG Iron to ISO 1083 / EN1563, Grade 500-7.
- **Design load :**
 ⚙ 250 kN to EN124. Group 3 installation area - for gully tops located in kerbside channels of roads which when measured from the kerb edge, extend a maximum of 0,5 m into the carriageway and a maximum of 0,2 m into the footway.
- **Coating :**
 Non toxic waterbased black paint.
- **Product Certification :**
 NF Mark
 This quality mark certifies conformity to the 'NF' regulation 110 and other additional features as highlighted (⚙) by the authorising body AFNOR CERTIFICATION, 11, rue Francis de Pressensé F-93571 LA PLAINE SAINT DENIS CEDEX

SPECIAL FEATURES :

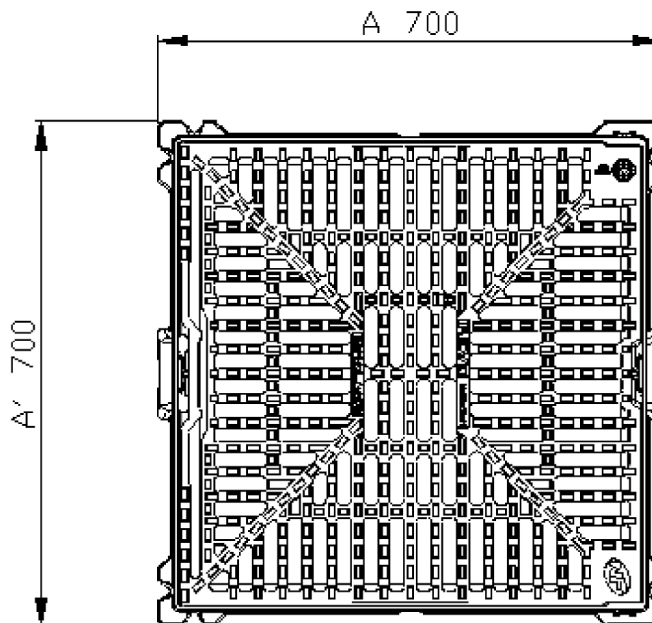
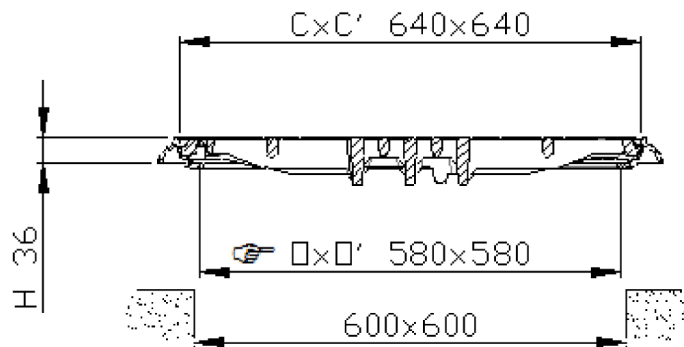
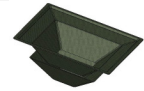
- **Surface finish :**
 Raised anti-skid pattern improves drainage.
- **Frame type :**
 square monoblock frame as cast.
- **Frame bearing pressure :**
 ⚙ $p \leq 7.5 \text{ N/mm}^2$.
- **Mass :**
 Grating : 38.5 kg.
 Product total : 48.1 kg.
- **Waterway :**
 ⚙ Waterway $\geq 30\%$: 1680 cm².
- **Grating type :**
 {FR}Grille pouvant être rendue captive par l'ajout d'une vis tête HM , ou d'un axe acier de même longueur et diamètre.
- **Locking system :**
 Locking by flexible front/ rear bars.

HANDLING :

{FR}OUVERTURE :
 Faire levier avec une barre à mine pour libérer le barreau comportant l'ergot de verrouillage.
 FERMETURE :
 Présenter la grille.
 Engager le crochet, à l'arrière, sous le cadre
 Par simple pression du pied, verrouiller le barreau ressort.

OPTION(S) :

Badging : others badgings please enquire
 Frame designed to seat an adapted siphon not provided.



- (⚙) Certified characteristics.
- Weights (kg), dimensions (mm) and drawings provided for your guidance.
- We reserve the right to modify specifications without prior notice.
- Uncontrolled distribution.

CONFIDENTIAL
 Property of EJ EMEA
 Not to be used without permission.

EJ
 ZI De Marivaux | Saint-Crépin Ibouvillers |
 BP50409 | 60544 Méru Cedex | France

 Quality System ISO 9001 - ISO 14001 - OHSAS 18001

 ejco.com

Data sheet :
AP_546035
Date updated :
01.06.2015
Printed : 10.09.2015