



ACCESS COVERS & FRAMES

**Class D400
EN124 : 1994**

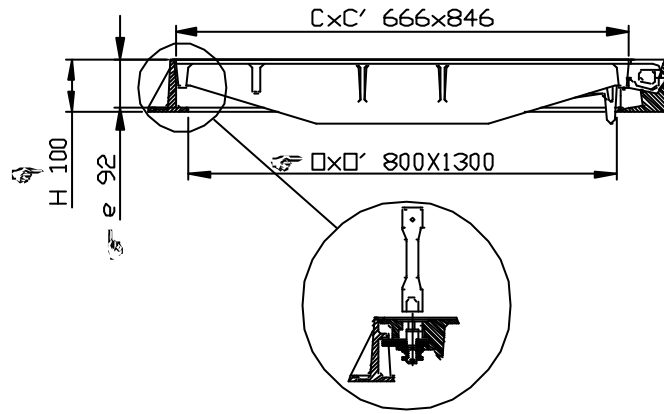
TI4S130080AV DECOR

**EN GJS 500-7 Iron
ISO 1083 / EN1563**

CARRIAGEWAY COVER

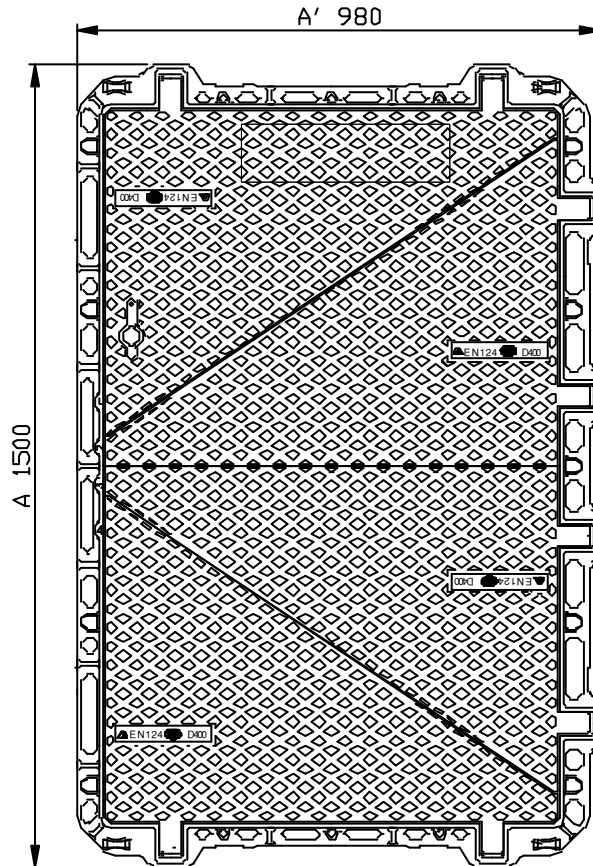
DESIGN FEATURES :

- **Material(s) :**
☞ SG Iron to ISO 1083 / EN1563, Grade 500-7.
- **Design load :**
☞ 400 kN to EN 124. Group 4 installation area - carriageway of roads (including pedestrian streets), hard shoulders and parking areas, for all types of roads vehicles (and lower groups).
- **Coating :**
Non toxic waterbased black paint.
- **Product Certification :**
NF Mark
This quality mark certifies conformity to the 'NF' regulation 110 and other additional features as highlighted (☞) by the authorising body AFNOR CERTIFICATION, 11, rue Francis de Pressensé F-93571 LA PLAINE SAINT DENIS CEDEX



SPECIAL FEATURES :

- **Mass :**
Each triangular cover : 46.9 kg
Product total : 249 kg.
- **Seatings ensure non-rock stability and silence :**
☞ Non-rocking by means of three-point suspension.
- **Frame bearing pressure :**
☞ $p \leq 7.5 \text{ N/mm}^2$.
- **Surface finish :**
Solid top cover with "Rhombus" anti-slip surface.
- **Securing of cover/grating within frame :**
☞ Secured by locking mechanism.
- **Frame type :**
Rectangular monoblock as cast.
☞ Depth : 100 mm
- **Cover type :**
Cover provided with a turnbuckle locking system and coded key.
Double triangular design assured stability.
Locking system by successive overlap of covers sections and locking of the last section on the frame.
- **Hinge :**
Secured (Cover block at 90° preventing accidental closure).
☞ Opening angle $\approx 110^\circ$.



HANDLING :

The locking key is used as a handling key once the cover is unlocked.
Cover can be removed at 90° angle.

- (☞) Certified characteristics.
- Weights (kg), dimensions (mm) and drawings provided for your guidance.
- We reserve the right to modify specifications without prior notice.
- Uncontrolled distribution.

CONFIDENTIAL
Property of EJ EMEA
Not to be used without permission.

EJ
ZI De Marivaux | Saint-Crépin Ibouvillers |
BP50409 | 60544 Méru Cedex | France
Système Qualité ISO 9001 - ISO 14001 - OHSAS 18001
ejco.com

Data sheet :
FT_518078
Date updated :
19.03.2012
Printed : 26.03.2012