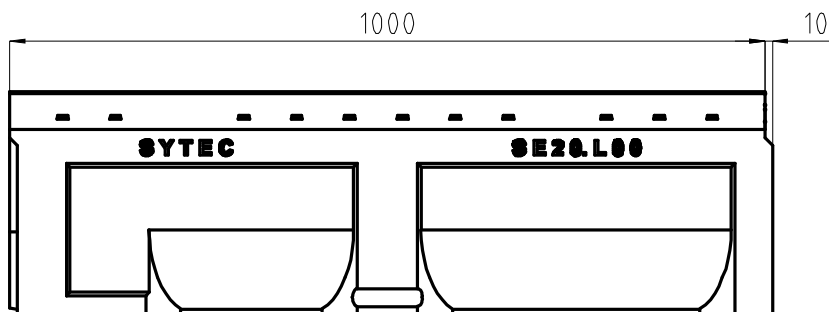
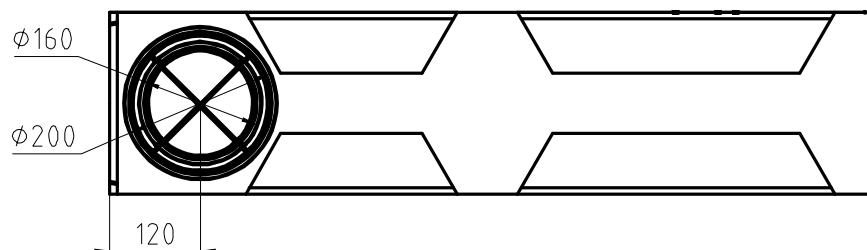


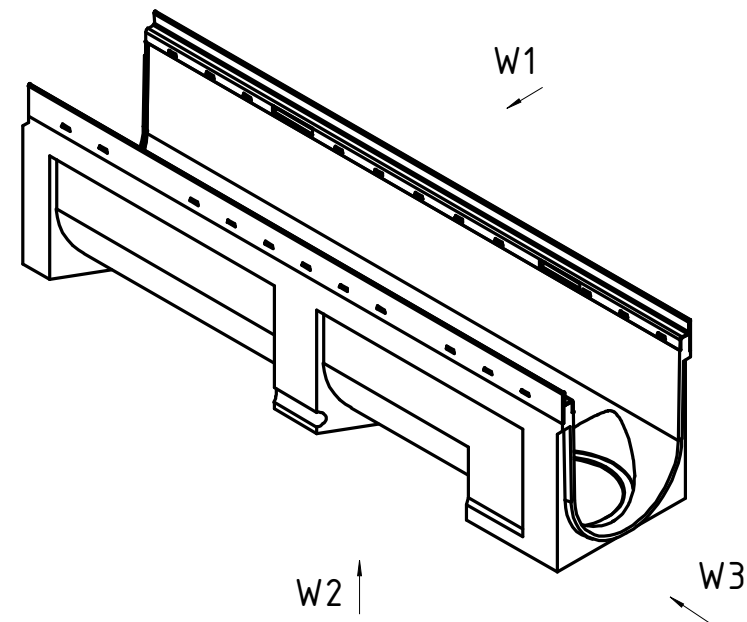
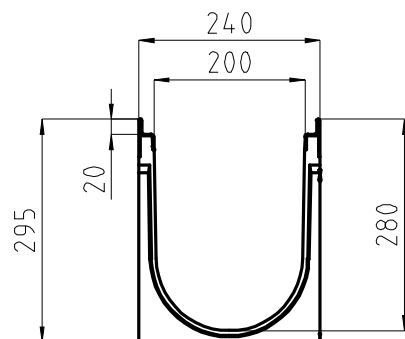
W1



W2



W3

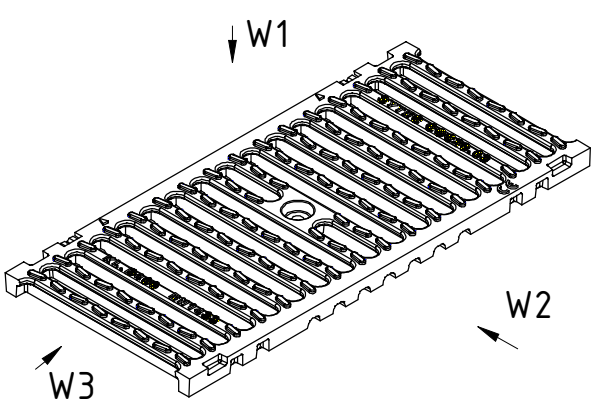
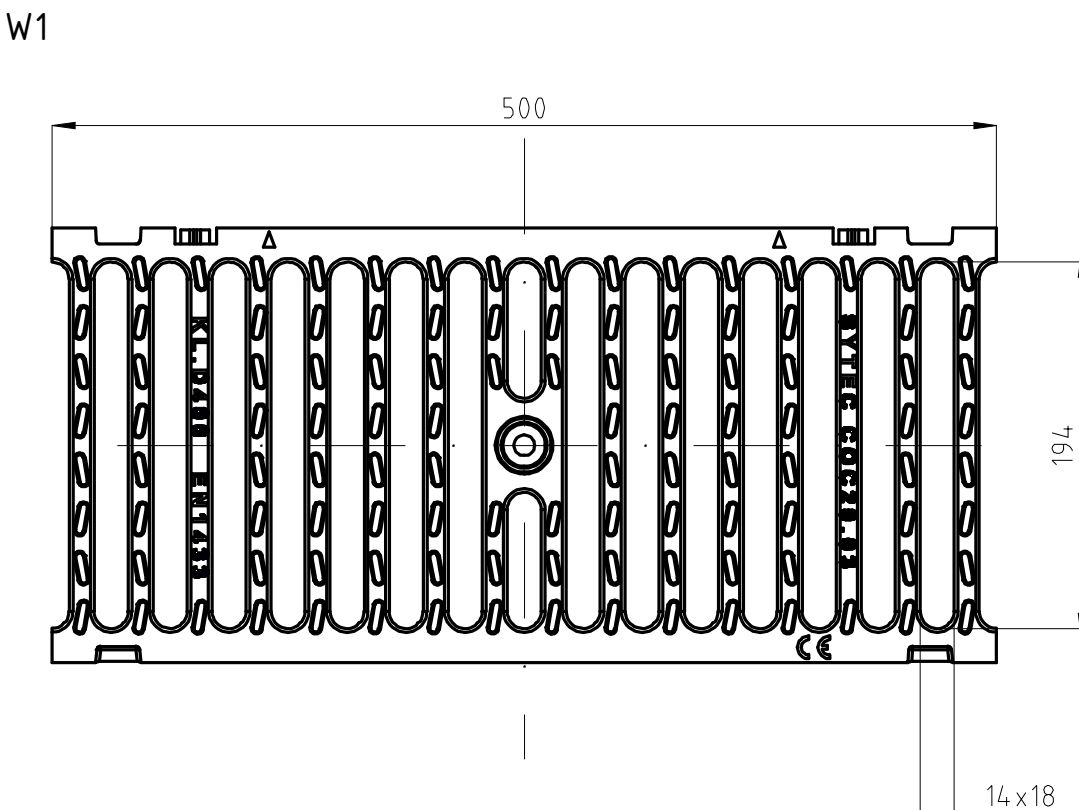
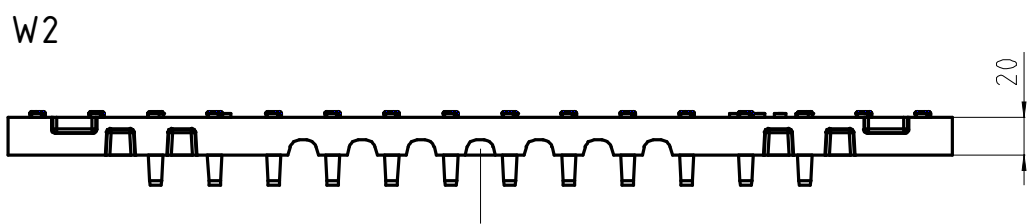
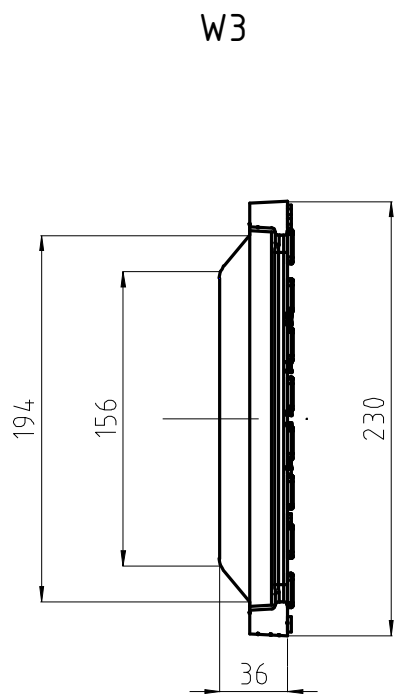


CONFIDENTIAL
This drawing is property of
SYSTEMY I TECHNOLOGIE Sp. z o.o.
Design and technology included are patented
Prohibited any total partial reproduction
unless expressly authorized by
SYSTEMY I TECHNOLOGIE Sp. z o.o.

SYTEC
SYSTEMY I TECHNOLOGIE Sp. z o.o.
Ul. Kopalniana 7
59-100 POLKOWICE - Poland

NAZWA ELEMENTU:
KANAŁ ODWADNIAJĄCY
OZNACZENIE ELEMENTU:
SE20.L00

DATA:
05.01.2018
REWIZJA NR
△



Waga 8.2 kg

<p>CONFIDENTIAL This drawing is property of SYSTEMY I TECHNOLOGIE Sp. z o.o. Design and technology included are patented Prohibited any total partial reproduction unless expressly authorized by SYSTEMY I TECHNOLOGIE Sp. z o.o.</p>	<p>SYTEC SYSTEMY I TECHNOLOGIE Sp. z o.o. Ul. Kopalniana 7 59-100 POLKOWICE-Poland</p>	<p>NAZWA ELEMENTU: Kratka 200 D</p>
		<p>OZNACZENIE ELEMENTU: COC20.03</p>