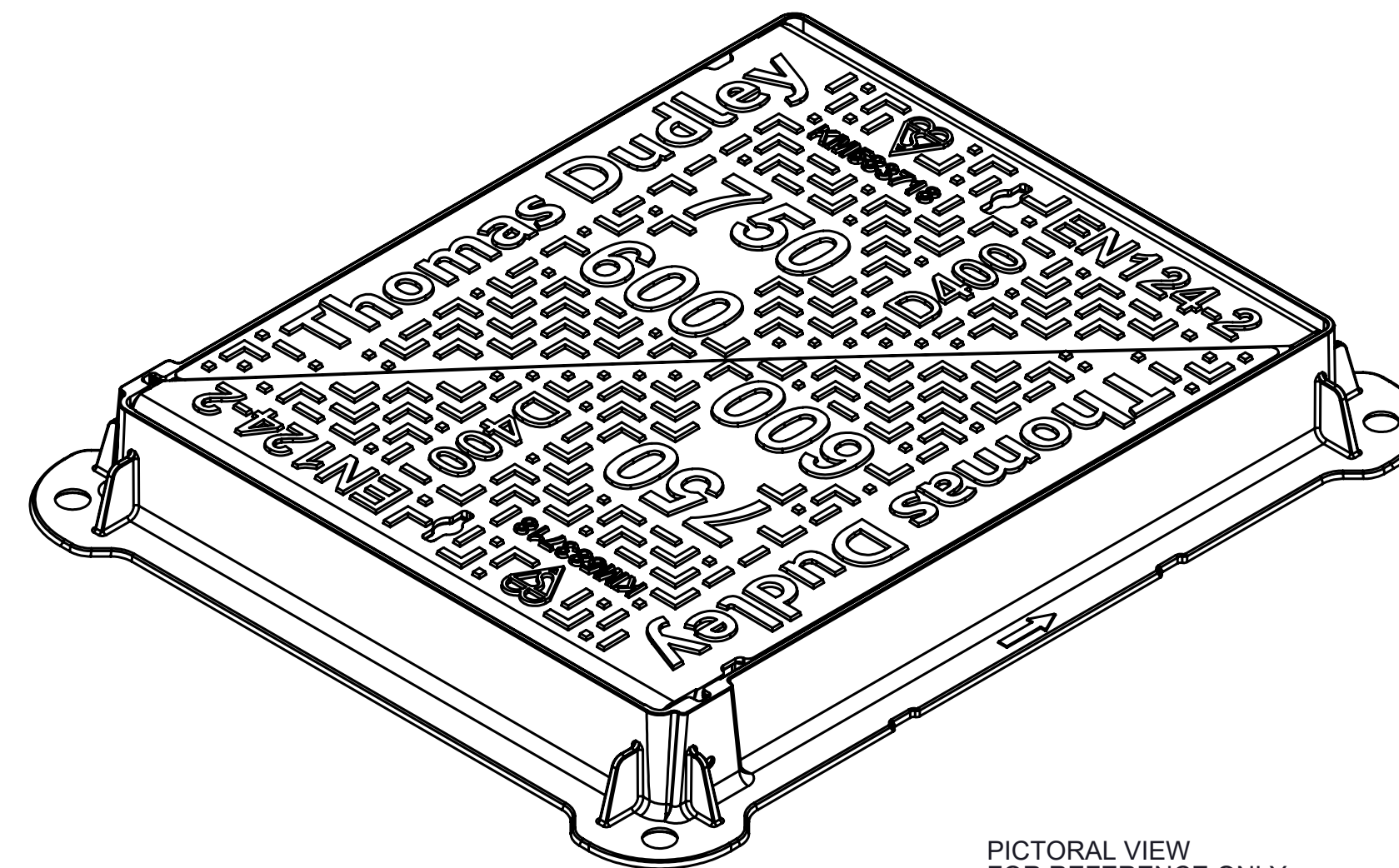
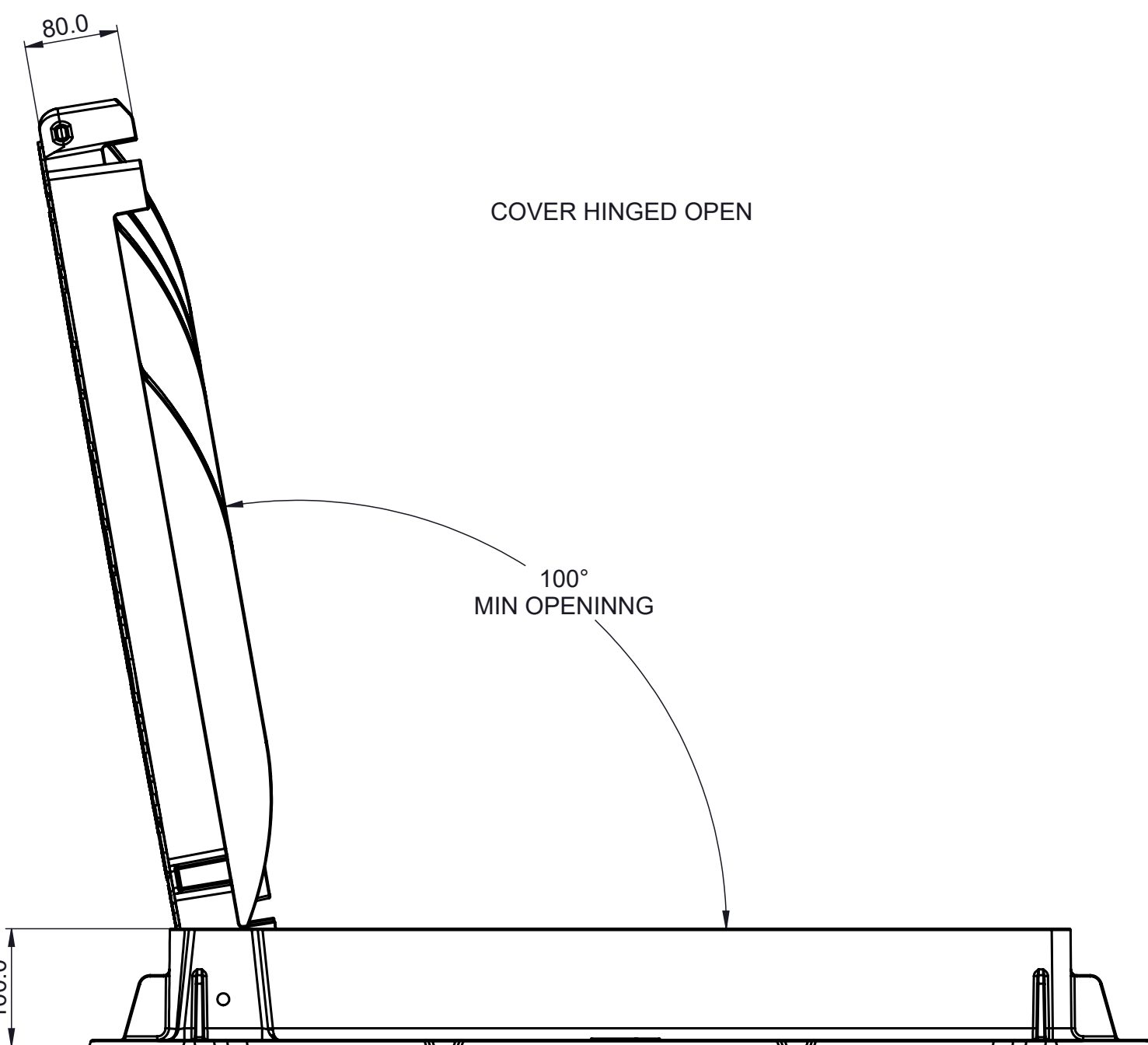
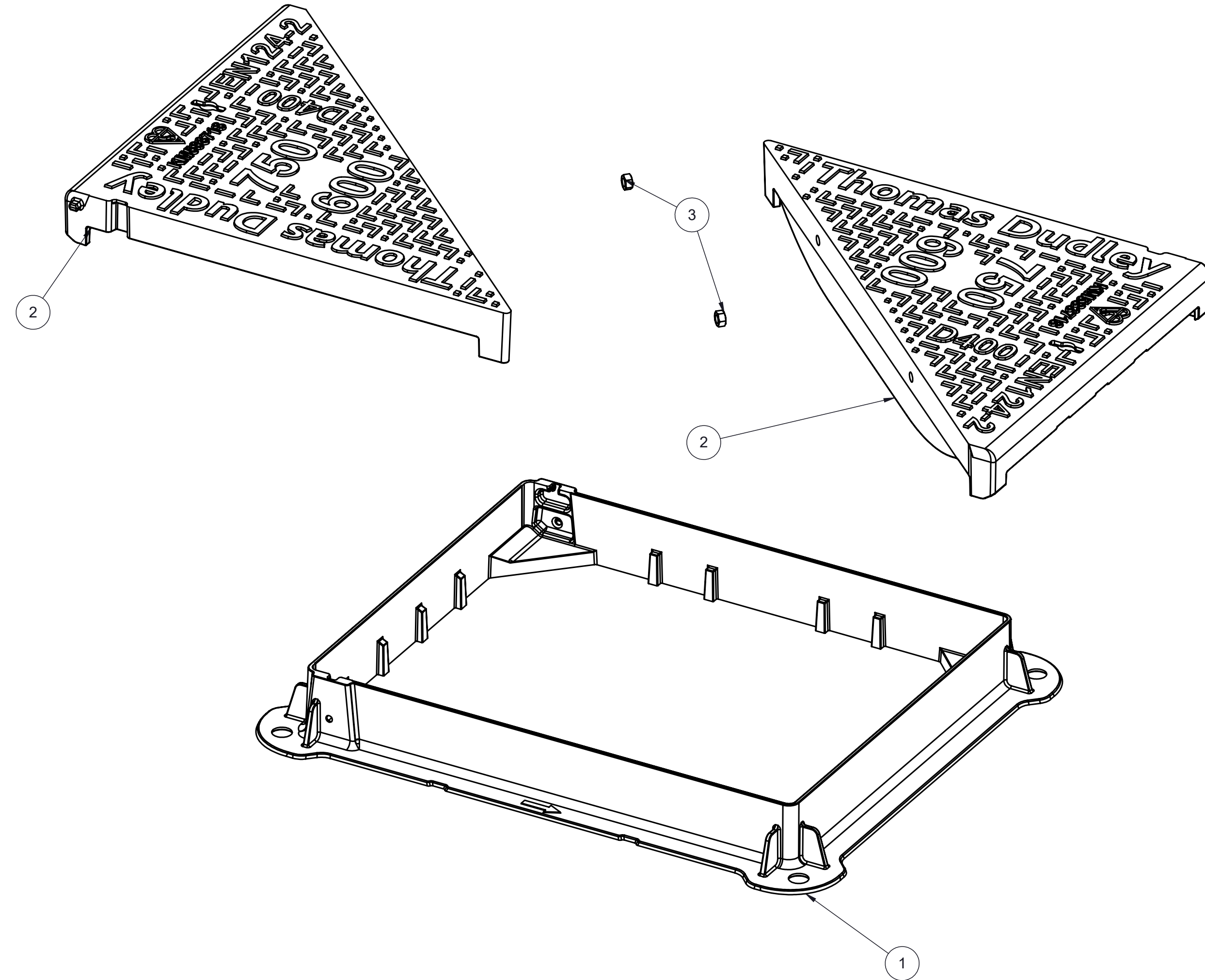
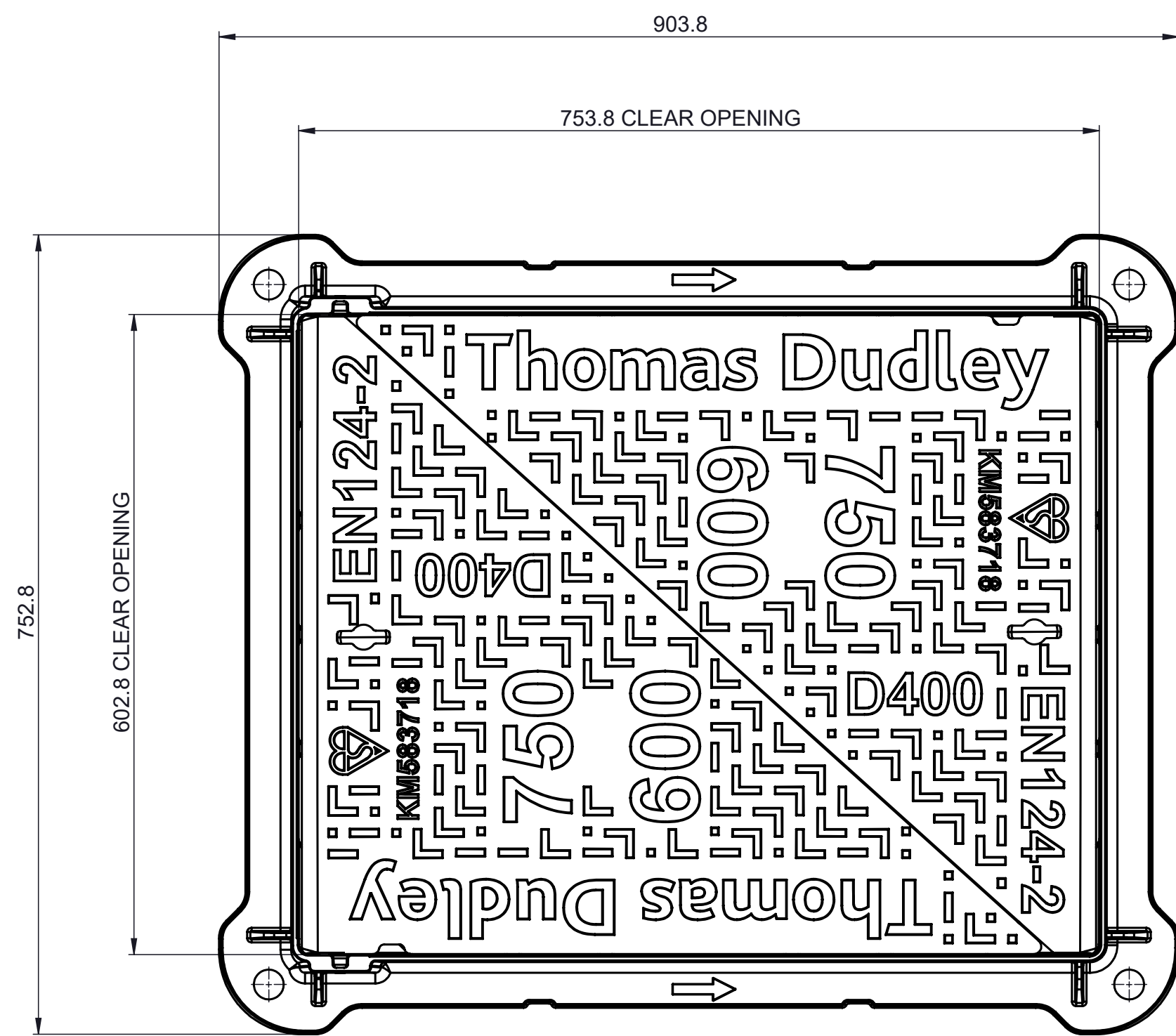


ITEM NO.	DRAWING NO.	DESCRIPTION	SIZE	QTY.
1	13354	MANHOLE FRAME D400	750 x 600 x 100	1
2	13353	MANHOLE COVER	750x600x100	2
3	N/A	HEX NUT	M12	2



PICTORAL VIEW FOR REFERENCE ONLY  
SCALE 1:5

- NOTES:
1. DEPTH OF INSERTION 80MM
  2. SOLID FLANGES
  3. HINGED AS STANDARD

FSUCFC330940	REFER TO COMPONENT	REFER TO COMPONENT
PART No.	MATERIAL	APPLIED FINISH & COLOUR

MOD	CHK	MODIFICATION	DATE	ISS
CL	CDC	SLOT ADDED	07/03/19	3
CDC	HM	HINGE MODIFIED TO LIFT OUT VERSION	30/11/17	2
HM	CDC	TOOLING ISSUE	10/02/17	1

**TD Thomas Dudley Ltd.**  
P.O.Box 28, Birmingham New Road  
Dudley, West Midlands, DY1 4SN  
Telephone: 0121 530 7000  
www.thomasdudley.co.uk

This document and any design incorporated in it is the property of Thomas Dudley Ltd. It is strictly confidential and must be used only for the purpose for which it is supplied and expressly authorised. Reproduction, manufacture or communication to third parties, in whole or part without prior written authorisation is strictly prohibited and is an infringement of Thomas Dudley Ltd's copyright and/or design right. Other intellectual property rights may also subsist in any part of this document or design or invention incorporated within them. Please contact Thomas Dudley Ltd for further information.

**A1** LINEAR TOLERANCE: ISO 8062-3:2007 TO CT-9 UNLESS SPECIFIED ON DRAWING  
DIMENSIONS IN mm  
DO NOT SCALE

DRAWN	CHECKED	SHEET
H MISTRY	C CORBETT	1 of 1
DATE	DATE	SCALE
10/02/2017	10/02/2017	1:5

TD MANHOLE COVERS & FRAMES  
DESCRIPTION

**DOUBLE TRIANGULAR MC&F D400**  
750 x 600 x 100

DRG No.	ISSUE
13352	A