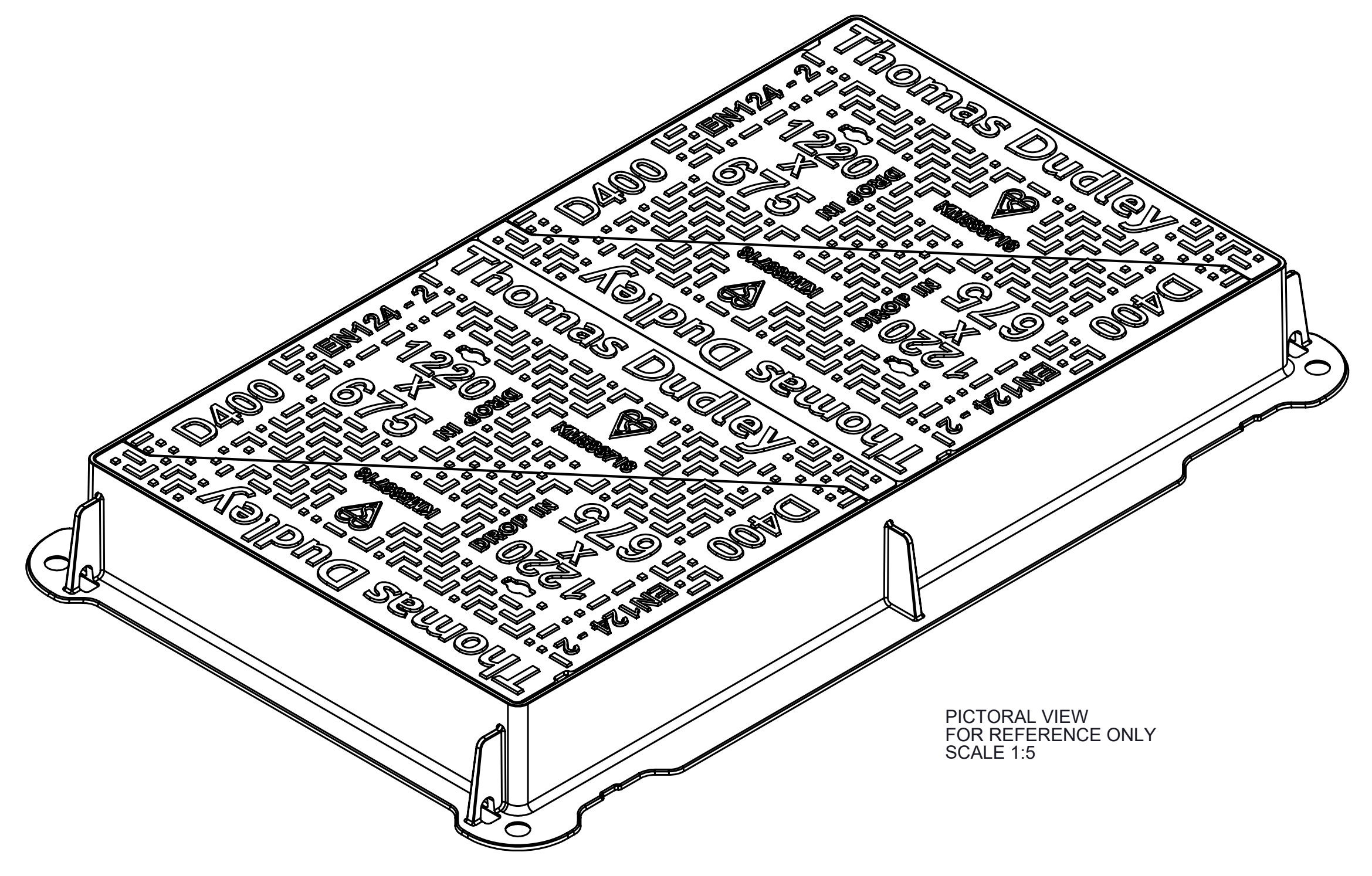
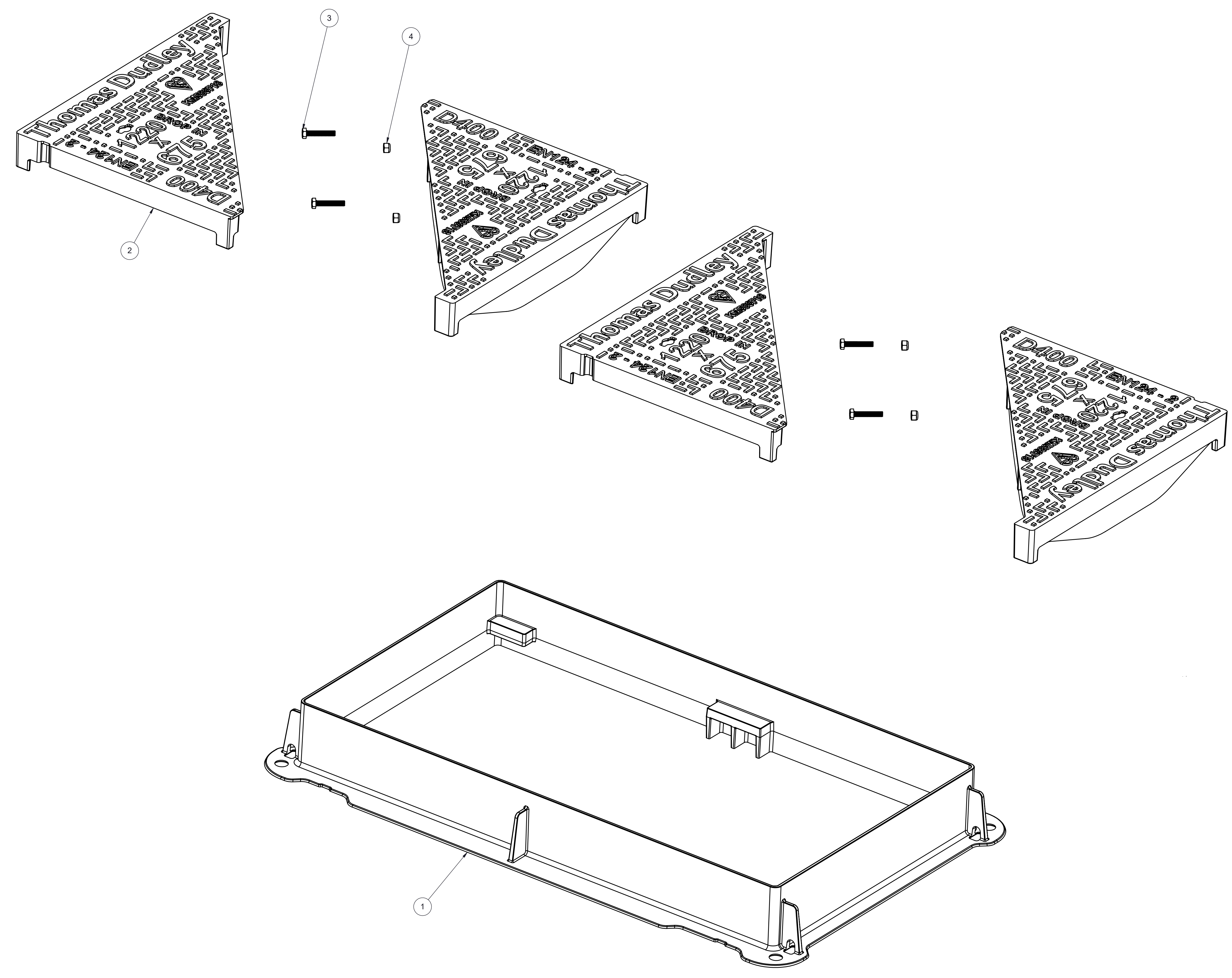
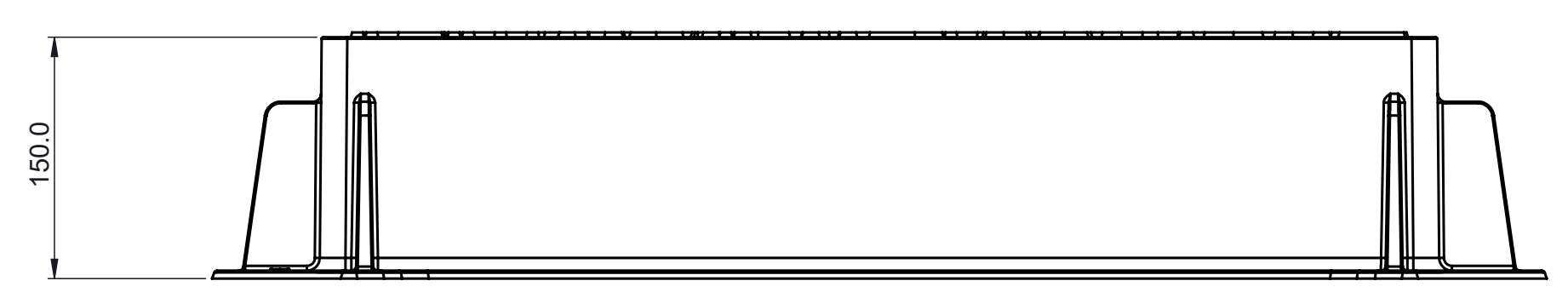
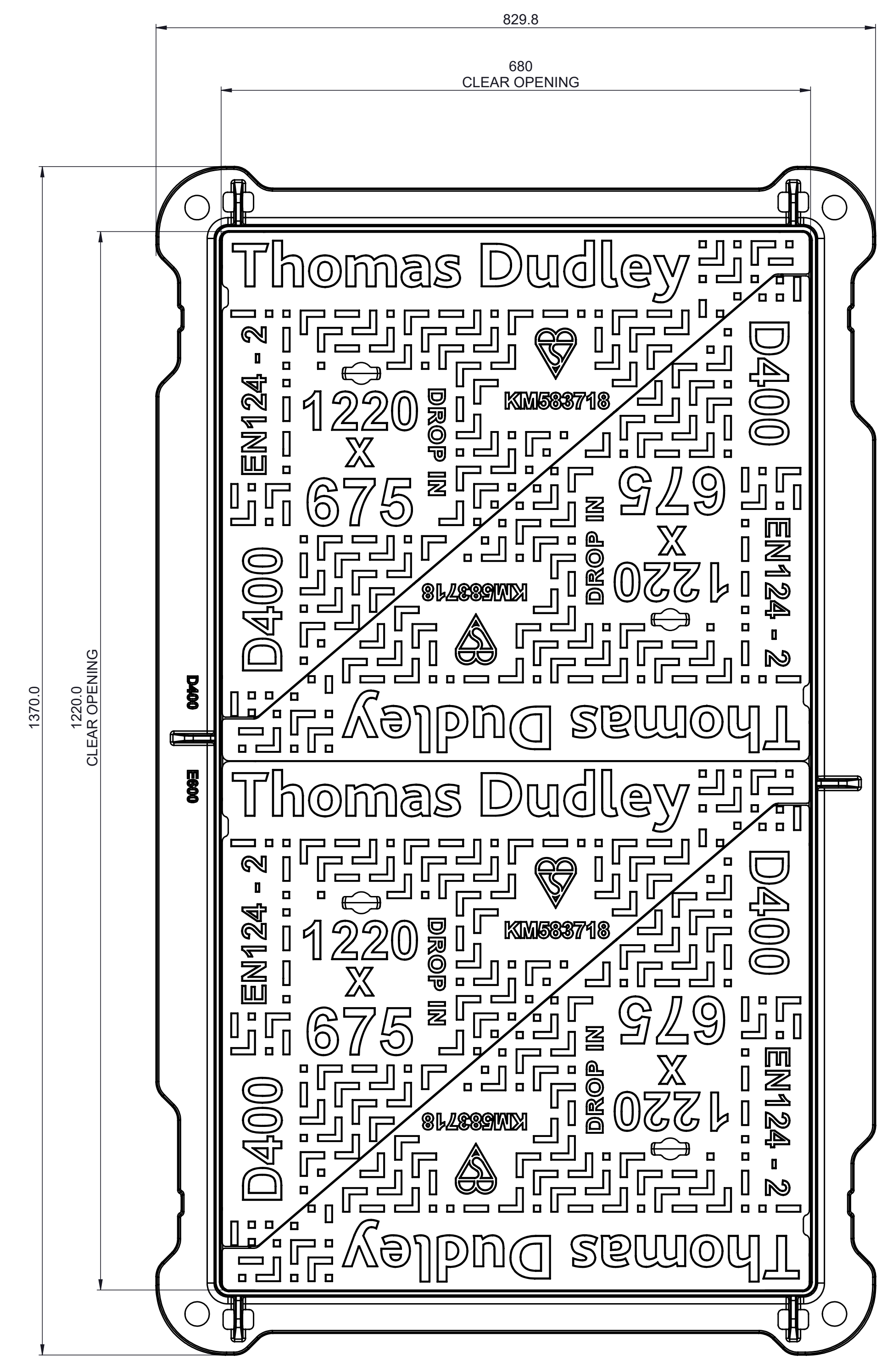


ITEM NO.	DRAWING NO.	TITLE	DESCRIPTION	Drop In/Back/Qty.
1	14778	DROP IN FRAME D400	1220 x 675 x 150	1
2	14779	MANHOLE COVER DROP IN D400	1220 x 675	4
3	13549	HEX BOLT	M12 x 60mm	4
4	N/A	NYLOC HEX NUT	M12	4

NOTES:  
 1. DEPTH OF INSERTION 80MM  
 2. SOLID FLANGES



PICTORIAL VIEW  
FOR REFERENCE ONLY  
SCALE 1:5



CL	CDC	FIRST ISSUE	20/03/20	1
MOD	CHK	MODIFICATION	DATE	ISS
<b>Thomas Dudley Ltd.</b>				
P.O. Box 28, Birmingham New Road Dudley, West Midlands, DY1 4SN Telephone: 0121 530 7600 www.thomasdudley.co.uk				
This document and any design incorporated in it is the property of Thomas Dudley Ltd. It is strictly confidential and must be used only for the purpose for which it is supplied and expressly authorized. Reproduction, manufacture or communication to third parties, in whole or part without prior written authorization is strictly prohibited and is an infringement of Thomas Dudley Ltd's copyright and/or design right. Other intellectual property rights may also subsist in any part of this document or design or invention incorporated within them. Please contact Thomas Dudley Ltd for further information.				
DRAWN		CHECKED	SHEET	1 of 1
DATE		DATE	SCALE	1:4
20/03/2020		20/03/2020		
PROJECT TD MANHOLE COVERS & FRAMES				
DESCRIPTION 4-PART TRIANGULAR MC&F ASSEMBLY D400 1220 x 675 x 150 D400 DROP IN				
DRG No				ISSUE
14777				1