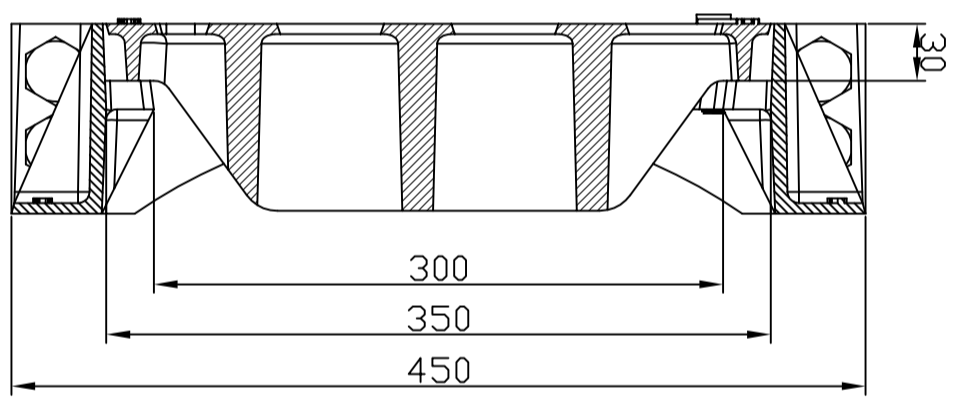
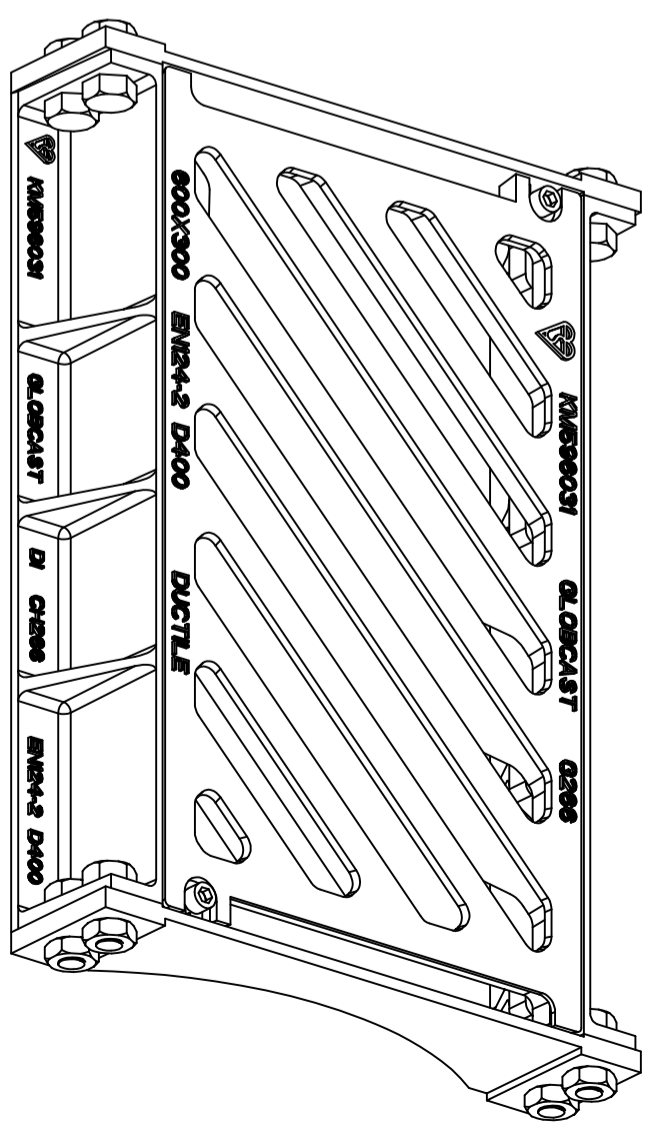


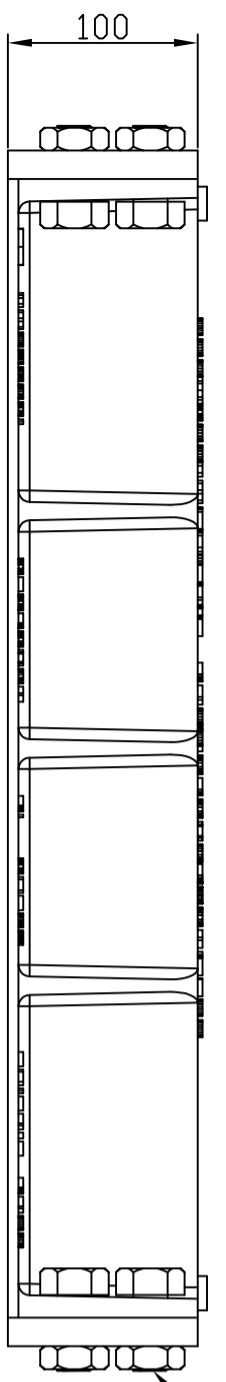
TOP VIEW



SECTION A-A



ISOMETRIC VIEW



FRONT VIEW

M18X50 LONG BOLT & NUT
(8 NOS)

S.L. NO.	DESCRIPTION	QTY.	DRAWING NO.	MATERIAL	REMARKS
1	COVER	1	C266GRC	SG 500/7	
2	FRAME	1	F266	SG 500/7	
3	BAR	2	BAR-266	SG 500/7	
4	M18X50 LONG BOLT & NUT	8	-----	SS-316	
5	M12X40 LONG ALLEN BOLT	2	-----	SS-316	

DRAWN BY	CKD. BY	APPD. BY	DRG./PART NO.	WEIGHT:-
			GCP.L-266-B*	
NAME			DRG./PART DESCRIPTION	
DATE			600x300x100 D400 LOCKABLE CHANNEL & GRATE MARKING GRILL CY IN ENG.	
SIGN				
TEST LOAD:	MATERIAL :-			
400 KN	ISO 1083:2004 500/7			

SPECIFICATION:
 EN 124-2:2015 D400
 SCALE: NTS/SHEET: 1 of 1
 ALL DIMENSIONS ARE IN MM

GLOBAL CASTINGS PVT. LTD.
 1, SARDAR SANKAR ROAD,
 KOLKATA-700 026, WEST BENGAL, INDIA
 PHONE: 91-33-24635020, FAX: 91-33-24635030

THE INFORMATION TRANSMITTED BY THE PROPRIETY AND CONFIDENTIAL PROPERTY OF GLOBAL CASTINGS PVT. LTD. AND MAY NOT BE DUPLICATED, DISCLOSED, OR UTILIZED WITHOUT WRITTEN CONSENT FROM GLOBAL CASTINGS PVT. LTD., IF ANY DOUBT IN THIS DRAWING PLEASE ASK TO DESIGN DEPT.